

STAINLESS STEEL

# 16 GA. TOP ECONOMY ENCLOSED BASE WORK TABLES WITH 5" BACKSPLASH & MID SHELF

## AVAILABLE WITH SLIDING OR HINGED DOORS



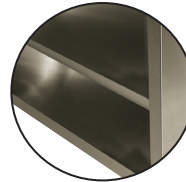
ECK-SS-244M With Sliding Doors Shown



EHK-SS-244M With Hinged Doors Shown



Item #: \_\_\_\_\_ Qty #: \_\_\_\_\_  
 Model #: \_\_\_\_\_  
 Project #: \_\_\_\_\_



Includes Mid-shelf



Featuring Bolt-On Stainless Steel Leg

### FEATURES:

Furnished with a 1 5/8" sanitary rolled rim on the front side and 1 5/8" square bend edges on the 2 sides and a 5" splash with a 1" return on the rear side.

Fixed Mid Shelf.

Recessed handles for ease in opening and closing.

Rear flush panel along the rear of the base unit.

#### ECK-SS SERIES SLIDING DOORS

Removable doors for easy maintenance and cleaning.

#### EHK-SS SERIES HINGED DOORS

Constructed as double panel doors with recessed inner panels for extra rigidity.

### CONSTRUCTION:

All TIG welded. Exposed areas finished to match adjacent surfaces. Hat section secured to Top reinforces and maintains level working surface.

Legs bolt on to table base.

### MATERIAL:

**TOP:** 16 gauge stainless steel type "304" series with galvanized under structure.

**BODY & MID SHELF:** 18 gauge stainless steel type "430" series.

**LEGS:** Stainless steel and include 1-1/2" adjustable bullet foot.

	L	SLIDING DOORS	Approx. Wt.	HINGED DOORS	Approx. Wt.	# of Doors	Approx. Cu. Ft.
24" WIDE	36"	N/A		EHK-SS-243M	163 lbs.	2	30
	48"	ECK-SS-244M	185 lbs.	EHK-SS-244M	204 lbs.	2	38
	60"	ECK-SS-245M	238 lbs.	EHK-SS-245M	238 lbs.	2	47
	72"	ECK-SS-246M	270 lbs.	EHK-SS-246M	290 lbs.	2	56
	84"	ECK-SS-247M	330 lbs.	EHK-SS-247M	342 lbs.	4	66
	96"	ECK-SS-248M	370 lbs.	EHK-SS-248M	385 lbs.	4	74
	108"	ECK-SS-249M	405 lbs.	EHK-SS-249M	423 lbs.	4	83
30" WIDE	120"	ECK-SS-2410M	445 lbs.	EHK-SS-2410M	465 lbs.	4	92
	36"	N/A		EHK-SS-303M	178 lbs.	2	35
	48"	ECK-SS-304M	214 lbs.	EHK-SS-304M	219 lbs.	2	45
	60"	ECK-SS-305M	255 lbs.	EHK-SS-305M	260 lbs.	2	55
	72"	ECK-SS-306M	305 lbs.	EHK-SS-306M	323 lbs.	2	66
	84"	ECK-SS-307M	365 lbs.	EHK-SS-307M	375 lbs.	4	76
	96"	ECK-SS-308M	423 lbs.	EHK-SS-308M	422 lbs.	4	87
108"	ECK-SS-309M	455 lbs.	EHK-SS-309M	447 lbs.	4	97	
120"	ECK-SS-3010M	523 lbs.	EHK-SS-3010M	503 lbs.	4	107	

### OPTIONAL ACCESSORIES & MODIFICATIONS

#### DOOR LOCK WITH KEYS

TA-46 One Per Hinged Door Or Pair of Sliding Doors



#### GFI OUTLET

TA-62A For Splash



#### 5" BOLT-ON CASTERS

Includes 2 With Brakes  
 TA-255P Set of 4  
 TA-255AP Set of 6



#### 5" SIDE SPLASH

TA-31 Per Side

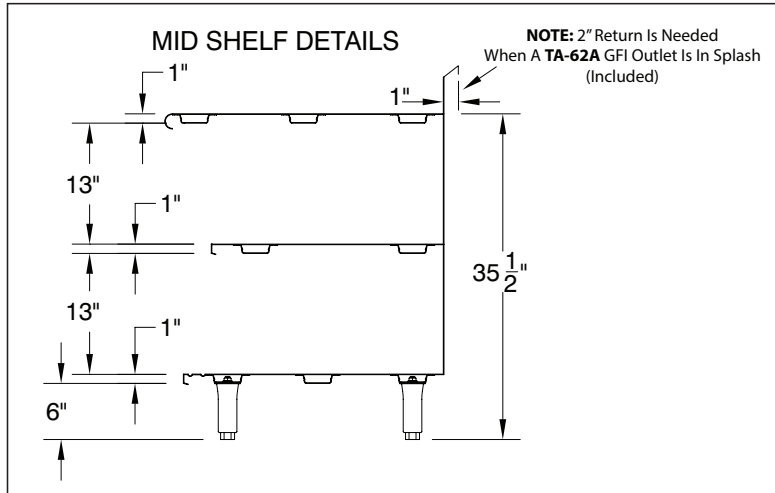


# DETAILS and SPECIFICATIONS

TOL ± .500"

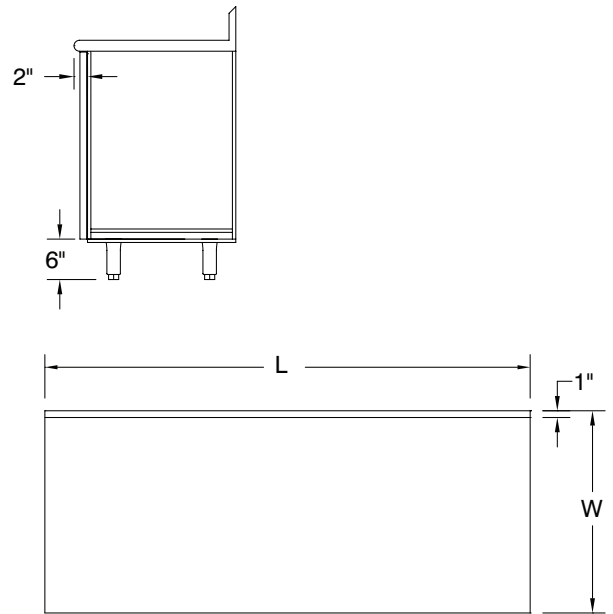
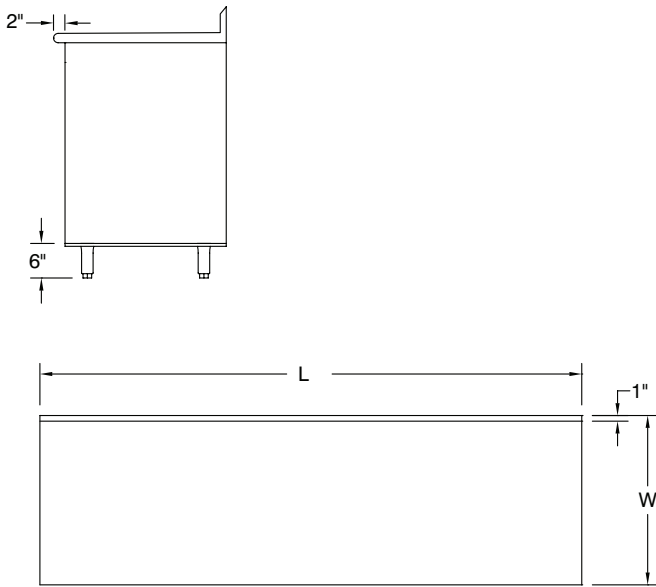
Units 7' and larger are furnished with 6 legs.

ALL DIMENSIONS ARE TYPICAL



## ECK Slide Doors Series

## EHK Hinged Doors Series



4 Door Model Shown

4 Door Model Shown

S/S Legs W/ Adj. S/S Bullet Feet

S/S Legs W/ Adj. S/S Bullet Feet



ADVANCE TABCO is constantly engaged in a program of improving our products. Therefore, we reserve the right to change specifications without prior notice.