



# K-170 EYE WASH ATTACHMENT

Conforms To NSF 61/9 Lead Free Requirements



SEE IMPORTANT NOTE BELOW\*



Click This Link To  
View Assembly Sheet

Item #: \_\_\_\_\_ Qty #: \_\_\_\_\_  
 Model #: \_\_\_\_\_  
 Project #: \_\_\_\_\_

### FEATURES:

- Attaches to standard spout.
- Adjustable aerated outlet heads.
- Float-off dust covers to protect outlet heads.
- Pull knob to activate eyewash.
- Removable aerator on bottom.

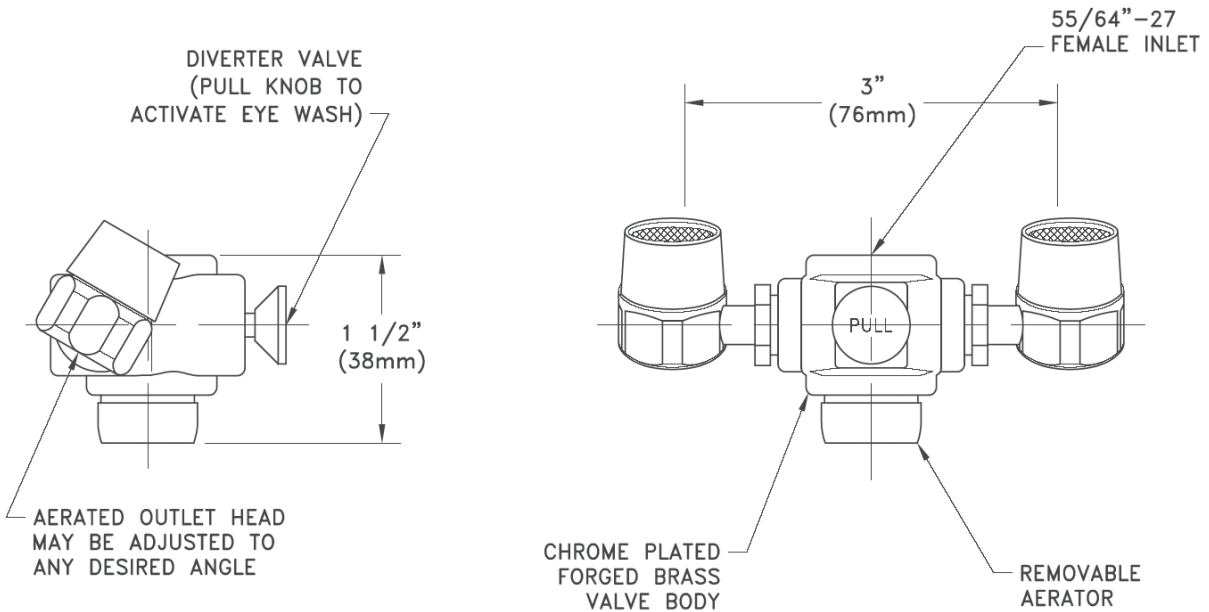
### MATERIAL:

Chrome plated forged brass body.

### ⚠ WARNING:

Faucet(s) on this page may expose you to chemicals, including lead, that are known to the State of California to cause cancer or birth defects or other reproductive harm. For more Info., visit [www.p65warnings.ca.gov](http://www.p65warnings.ca.gov).

## DIMENSIONS and SPECIFICATIONS



**\*IMPORTANT:** Faucet-mounted eyewashes require two motions to operate (turn on water, pull knob to activate eyewash flow). Therefore, **Advance Tabco does not believe that these units meet the provisions of ANSI Z358.1-2004 as eyewash units.** These units are intended solely as supplemental units in addition to dedicated, plumbed eyewash equipment installed in the workplace. Faucet-mounted eyewashes should be used with cold or warm water only. Use of hot water might cause scalding. Eyewash Faucets not to be used with Foot Operated or Knee Operated Units or Electronic Faucets.



Customer Service Available To Assist You **1-800-645-3166** 8:30 am - 7:00 pm E.S.T.

For Orders & Customer Service:  
 Email: [customer@advancetabco.com](mailto:customer@advancetabco.com) or Fax: 631-242-6900

For Smart Fabrication™ Quotes:  
 Email: [smartfab@advancetabco.com](mailto:smartfab@advancetabco.com) or Fax: 631-586-2933