



STAINLESS STEEL ECONOMY OPEN BASE WORK TABLES NSF

FEATURES:

TELAG Top is furnished with 1 5/8" sanitary rolled rim on front and rear & square ends.

TFLAG Top is furnished with 1 5/8" sanitary rolled rim on front and square ends, and 1 1/2" backsplash on rear.

TKLAG Top is furnished with 1 5/8" sanitary rolled rim on front and square ends, and 5" backsplash at rear.

Two hat-channels stud welded under tabletop to reinforce and maintain a level work surface.

CONSTRUCTION:

All TIG welded. Exposed weld areas polished to match adjacent surface.

Top is sound deadened.

Roll formed embossed galvanized hat channels are

secured to top by means of structural adhesive and weld studs.

Gussets welded to support hat channels

MATERIAL:

TOP: 16 gauge stainless steel type "430" series.

LEGS: 1 5/8" diameter tubular galvanized steel. Galvanized steel gussets.
1" adjustable plastic bullet feet.

Item #: _____ Qty #: _____

Model #: _____

Project #: _____



Plastic Bullet Feet
Standard On TELAG,
TFLAG & TKLAG Series

TELAG-X Series
Flat Top



TFLAG-X Series
1 1/2" Backsplash



TKLAG-X Series
5" Backsplash

	L	Model #				Model #				
		FLAT TOP		1 1/2" SPLASH		5" SPLASH				
		WT.	Cu. Ft.	WT.	Cu. Ft.	WT.	Cu. Ft.	WT.	Cu. Ft.	
24" WIDE	24"	TELAG-242-X	40 lbs.	4	TFLAG-242-X	40 lbs.	4	TKLAG-242-X	47 lbs.	7
	30"	TELAG-240-X	50 lbs.	4	TFLAG-240-X	50 lbs.	4	TKLAG-240-X	58 lbs.	7
	36"	TELAG-243-X	55 lbs.	4	TFLAG-243-X	55 lbs.	4	TKLAG-243-X	63 lbs.	7
	48"	TELAG-244-X	62 lbs.	6	TFLAG-244-X	62 lbs.	6	TKLAG-244-X	69 lbs.	9
	60"	TELAG-245-X	71 lbs.	7	TFLAG-245-X	71 lbs.	7	TKLAG-245-X	81 lbs.	11
	72"	TELAG-246-X	84 lbs.	8	TFLAG-246-X	84 lbs.	8	TKLAG-246-X	92 lbs.	13
	84"	TELAG-247-X	94 lbs.	10	TFLAG-247-X	94 lbs.	10	TKLAG-247-X	104 lbs.	15
30" WIDE	96"	TELAG-248-X*	111 lbs.	11	TFLAG-248-X*	111 lbs.	11	TKLAG-248-X*	123 lbs.	17
	24"	TELAG-302-X	44 lbs.	5	TFLAG-302-X	44 lbs.	5	TKLAG-302-X	50 lbs.	8
	30"	TELAG-300-X	56 lbs.	5	TFLAG-300-X	56 lbs.	5	TKLAG-300-X	61 lbs.	8
	36"	TELAG-303-X	62 lbs.	5	TFLAG-303-X	62 lbs.	5	TKLAG-303-X	65 lbs.	8
	48"	TELAG-304-X	67 lbs.	7	TFLAG-304-X	67 lbs.	7	TKLAG-304-X	75 lbs.	11
	60"	TELAG-305-X	80 lbs.	8	TFLAG-305-X	80 lbs.	8	TKLAG-305-X	88 lbs.	13
	72"	TELAG-306-X	91 lbs.	10	TFLAG-306-X	91 lbs.	10	TKLAG-306-X	100 lbs.	16
36" WIDE	84"	TELAG-307-X	103 lbs.	12	TFLAG-307-X	103 lbs.	12	TKLAG-307-X	112 lbs.	18
	96"	TELAG-308-X*	121 lbs.	13	TFLAG-308-X*	121 lbs.	13	TKLAG-308-X*	133 lbs.	20
	36"	TELAG-363-X	57 lbs.	6	TFLAG-363-X	57 lbs.	6	NOT AVAILABLE		
	48"	TELAG-364-X	70 lbs.	8	TFLAG-364-X	70 lbs.	8			
	60"	TELAG-365-X	83 lbs.	10	TFLAG-365-X	83 lbs.	10			
	72"	TELAG-366-X	95 lbs.	12	TFLAG-366-X	95 lbs.	12			
	96"	TELAG-368-X*	128 lbs.	15	TFLAG-368-X*	128 lbs.	15			



*All 8 ft. Tables Provided With 6 Legs



Customer Service Available To Assist You 1-800-645-3166 8:30 am - 7:00 pm E.S.T.

For Orders & Customer Service:

Email: customer@advancetabco.com or Fax: 631-242-6900

For Smart Fabrication™ Quotes:

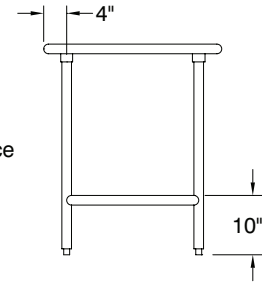
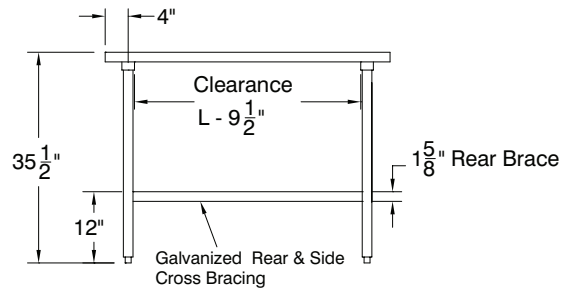
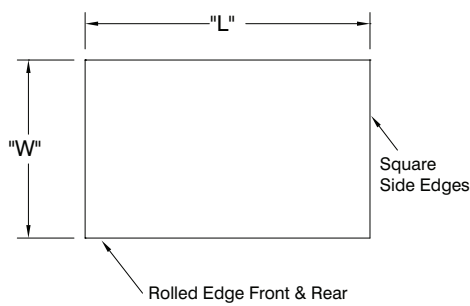
Email: smartfab@advancetabco.com or Fax: 631-586-2933

DETAILS and SPECIFICATIONS

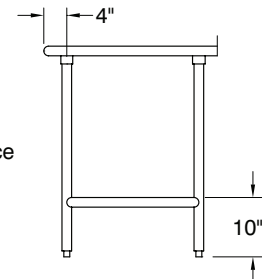
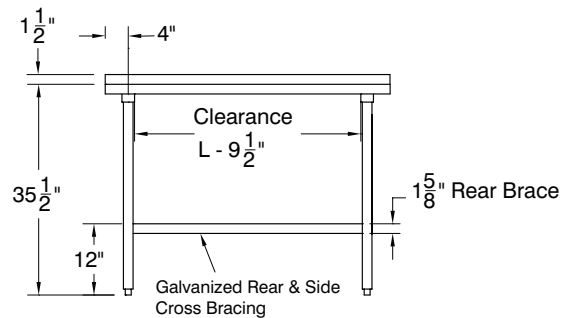
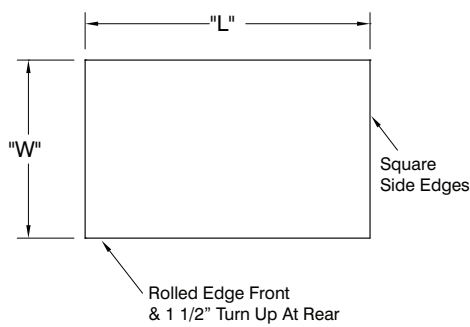
TOL ± .500"

ALL DIMENSIONS ARE TYPICAL

TELAG SERIES - Flat Top



TFLAG SERIES - 1 1/2" Backsplash



TKLAG SERIES - 5" Backsplash

