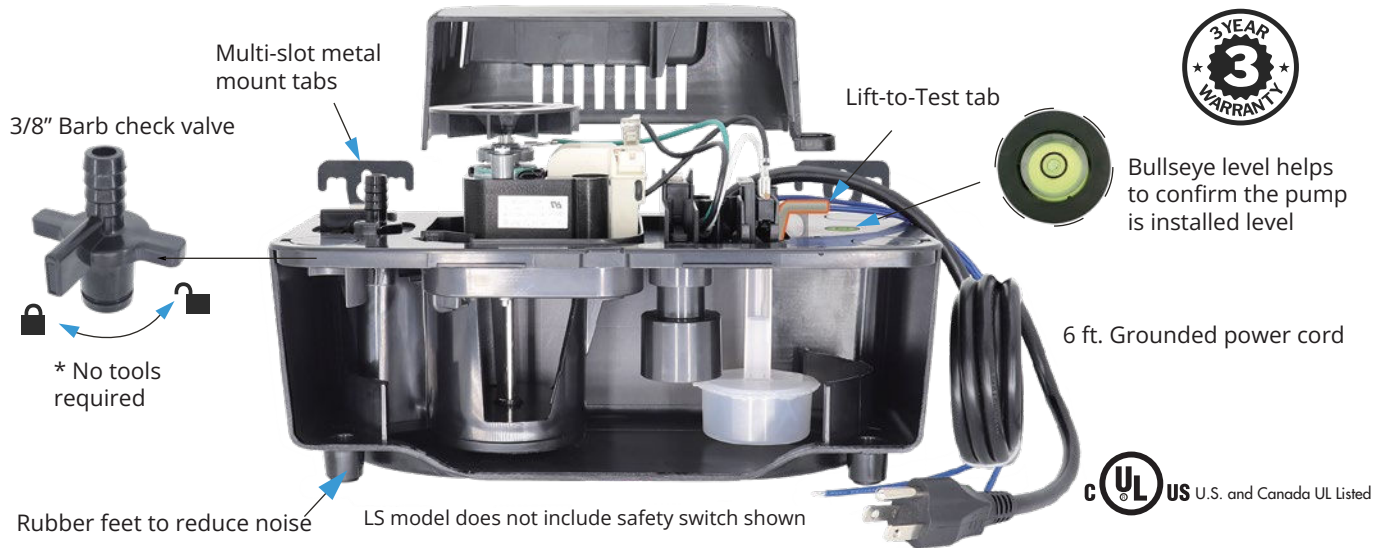


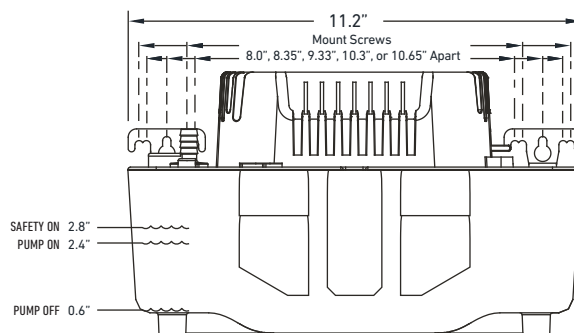
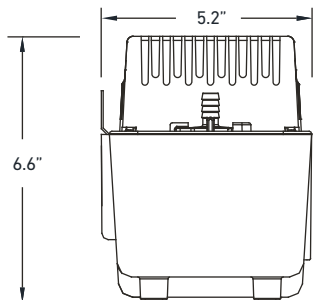
# BK17 & 22 CONDENSATE PUMP



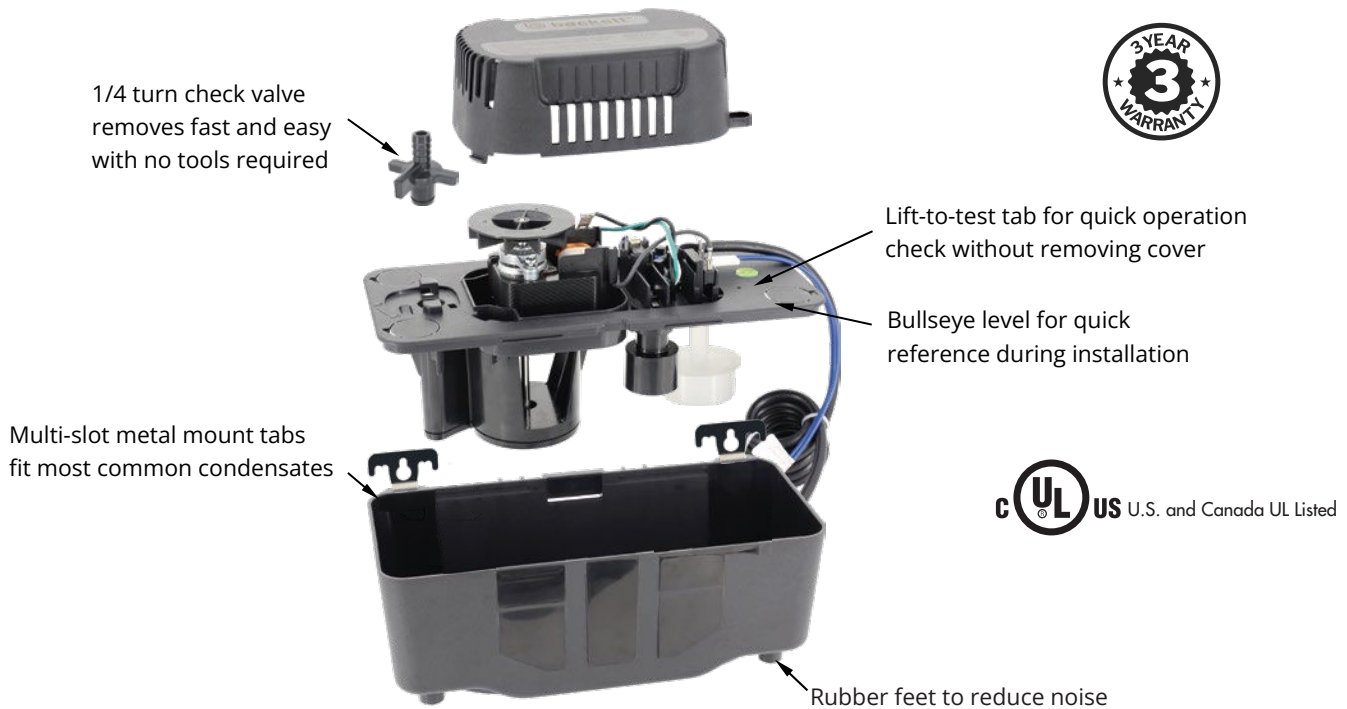
New design offers a longer 3 year warranty life and reduced noise level. Includes lid mounted bullseye level for easy installation. Rated for condensate water up to 150° F. Automatic start/stop operation with thermally protected motor. More water pumped out per cycle means the pump runs less and lasts longer. Larger 2.5 quart tank capacity. This unit is capable of handling acidic condensation from condensing furnaces and tankless water heaters.

Model	Note	Volts-Hz	Amps Watts	Weight	Flow (GPH)@			Max lift	Outlet	Inlet
					1'	10'	15'			
BK171LSUL	w/o Safety Switch	115-60	1.1-60	3.6 lbs	112	64	19	17'	3/8" Barb	4 x 1.1"
BK171TUL	w/ Tubing	115-60	1.1-60	4.8 lbs	112	64	19	17'	3/8" Barb	4 x 1.1"
BK171UL		115-60	1.1-60	3.7 lbs	112	64	19	17'	3/8" Barb	4 x 1.1"
BK221LSUL	w/o Safety Switch	115-60	1.2-65	3.6 lbs	125	83	50	22'	3/8" Barb	4 x 1.1"
BK221TUL	w/ Tubing	115-60	1.2-65	4.8 lbs	125	83	50	22'	3/8" Barb	4 x 1.1"
BK221UL		115-60	1.2-65	3.7 lbs	125	83	50	22'	3/8" Barb	4 x 1.1"
BK222TUL	w/ Tubing	230-50/60	0.9-77	5.4 lbs	156	103	68	22'	3/8" Barb	4 x 1.1"
BK222UL		230-50/60	0.9-77	4.3 lbs	156	103	68	22'	3/8" Barb	4 x 1.1"

Average Performance



# BK17 & 22 CONDENSATE PUMP



New design offers a longer 3 year warranty life and reduced noise level. Includes lid mounted bullseye level for easy installation. Rated for condensate water up to 150° F. Automatic start/stop operation with thermally protected motor.

	Warranty	Rated water temp (F)	Life	Performance		Run time	Installation aids			Sound dampening	Easy maintenance	L	W	H
				Motor/pump Heat rise temp (K)	GPH Flow @ 1'		Max lift (Ft)	Drink (Oz)	Wall mount					
BK171UL	3 yrs	150 °	74	112	17	45=Lower	Multi-Slot Stainless steel tabs	Y	Y	Y	Y	11.5"	5.2"	6.6"
LGVCMA15	1 yr	140 °	87	65	15.2	23=Higher	Plastic tank tabs	N	N	N	N	11.0"	5.0"	7.0"
DTCP16	2 yrs	140 °	87	104	15.7	20=Higher	Metal tabs	N	N	N	N	10.8"	4.5"	6.3"
BK221UL	3 yrs	150 °	82	125	22	45=Lower	Multi-Slot Stainless steel tabs	Y	Y	Y	Y	11.5"	5.2"	6.6"
LGVCMA20	1yr	140 °	84	80	20	22=Higher	Plastic tank tabs	N	N	N	N	11.0"	5.0"	7.0"
DTCP22	2 yrs	140 °	107	92	22	35=Higher	Metal tabs	N	N	Y	N	11.5"	5.5"	6.3"

\*Performance per manufacturer published data

Average Performance

Heat rise: The measurement of how much the motor heats up from cold start to peak hot operation temperature. Higher heat reduces motor & bearing life.  
 Drink: The amount of water between on/off switch level or the amount of water pumped out during each cycle. More water pumped out per cycle means the pump runs less and last longer.

