

# PRODIGY<sup>®</sup> ELITE

## MC0530 - 500lb Cube Ice Machine

### Prodigy ELITE<sup>®</sup> Modular Cube Ice Machine

#### ENHANCED RELIABILITY

##### Integrated ICELINQ<sup>®</sup> App

Provides real-time diagnostics, access to settings and guided cleanings. The app also contains specific information for convenient maintenance.

##### Upgraded Sensors

Ice thickness and water sensor design enhances cleanability and amplifies durability.

##### Preservation Mode

Maximizes uptime and notifies users of potential issues.

#### EASE OF USE

##### AutoAlert<sup>™</sup> Panel

The AutoAlert<sup>™</sup> panel displays relevant machine status that is visible across the room. Now featuring an external bin full indicator light and easier to read 16-segment display.

#### SANITARY DESIGN

##### Removable, External Air Filters

Speeds up cleaning process and reduces unit footprint.

##### WaterSense Adaptive Purge

Optimizes water consumption, keeping the machine cleaner and operating more efficiently.



Compatible with ICELINQ<sup>®</sup>



The ICELINQ<sup>®</sup> app simplifies interaction with machine via Bluetooth<sup>®</sup> connection



Intelligent sensor technology maximizes efficiency and lowers operating costs



### 24 Hour Volume Production

Air Cooled		Remote		Water Cooled	
70°F/21°C 50°F/10°C	Air Water	90°F/32°C 70°F/21°C	70°F/21°C 50°F/10°C	Air Water	90°F/32°C 70°F/21°C
525/238 lb/kg		380/172 lb/kg	500/227 lb/kg	400/181 lb/kg	500/227 lb/kg



### Modular Bin Options

Model Number*	Dimensions W" x D" x H"	Bin Application Capacity lb/kg	Bin Application	
			Finish	Ship Weight lb/kg
B330P	30 x 34 x 36	344/156	Poly	130/59
B530S or P	30 x 34 x 50	536/244	Metallic or Poly	150/68



\* Contact Scotsman for bin top requirements.



### Cube Ice

Common ice form, ideal for mixed drinks.



Small Cube  
7/8" x 7/8" x 3/8"  
(2.22 x 2.22 x .95 cm)



Medium Cube  
7/8" x 7/8" x 7/8"  
(2.22 x 2.22 x 2.22 cm)



### Certification



ICELINQ



### Warranty

- 3 Years parts and labor on all components.
- 5 Years parts and labor on the evaporator.
- 5 Years parts on the compressor and condenser.
- Warranty valid in North, South & Central America for commercial installations.
- Contact factory for warranty in other regions.
- Residential Applications: 1 year parts and labor

# Scotsman<sup>®</sup>

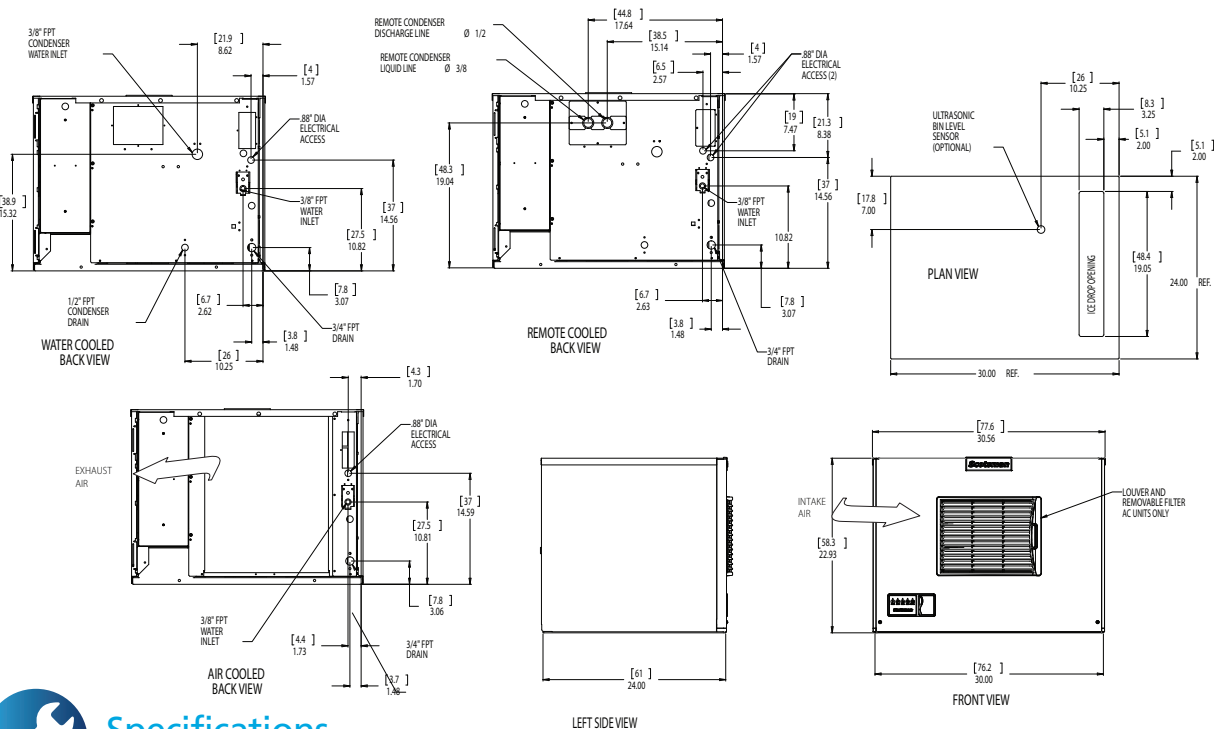
101 Corporate Woods Parkway, Vernon Hills, IL 60061

1-800-SCOTSMAN | Fax: 847-913-9844 | www.scotsman-ice.com | customer.relations@scotsman-ice.com

MC0530 - 500lb Cube Ice Machine

# MC0530 - 500lb Cube Ice Machine

Prodigy ELITE® Modular Cube Ice Machine



## Specifications

Model Number	Condenser Unit	Basic Electrical Volts/Hz/Phase	Max. Fuse Size or HACR Circuit Breaker (amps)	Circuit Wires	Min. Circuit Ampacity	Energy Consumption kWh/100 lb (45.4 kg) 90°F(32°C)/70°F(21°C)	Water Usage Gallons/100 lb (liters/45.4 kg)	
							Potable 90°F(32°C)/70°F(21°C)	Condenser 90°F(32°C)/70°F(21°C)
MC0530MA-1	Air	115/60/1	20	2	15.2	5.80	18.0/68.1	-
MC0530MR-1	Remote	115/60/1	20	2	16.2	6.50	18.0/68.1	-
MC0530MW-1	Water	115/60/1	15	2	13.5	5.00	18.0/68.1	160.0/606.7
MC0530MA-32	Air	208-230/60/1	15	2	7.8	5.80	18.0/68.1	-
MC0530SA-1	Air	115/60/1	20	2	15.2	5.80	18.0/68.1	-
MC0530SR-1	Remote	115/60/1	20	2	16.2	6.50	18.0/68.1	-
MC0530SW-1	Water	115/60/1	15	2	13.5	5.00	18.0/68.1	160.0/606.7
MC0530SA-32	Air	208-230/60/1	15	2	7.8	5.80	18.0/68.1	-



## All Models

### Dimensions (W x D x H):

Unit: 30" x 24" x 23"  
(76.2 x 61.0 x 58.4 cm)

Shipping Carton: 33.5" x 27.5" x 28"  
(85.1 x 69.9 x 71.1 cm)

Shipping Weight: 175 lb / 80 kg      BTUs per hour: 7,900

Refrigerant: R-404A



## Accessories

Model Number	Description
KVS	Vari-Smart™ Ice Level Control - Precisely control ice levels using ultrasonic technology.
KBILC	Basic Ice Level Control - Thermistor technology, ideal for dispenser applications.
KSBU	Smart-Board™ Advanced Control - Use additional operational data for fast diagnosis.
KSBU-N	Smart-Board™ Advanced Control with Network - Network capable.
ERC 111-1	Remote condenser for MC0530xR, 115/60/1- Consult remote condenser spec sheet for details.
BRTE10	10ft (3.0 m) line set, brazing required
BRTE25	25ft (7.6 m) line set, brazing required
BRTE40	40ft (12.2 m) line set, brazing required
BRTE75	75ft (22.9 m) line set, brazing required
KPAS	Prodigy Advanced Sustainability Kit - Includes KVS and KSBU - N
XR-30	XSafe® Sanitation System for Modular Cube - Continuous operation, field-installed.

Scotsman recommends all ice machines have water filtration. See Scotsman water filter specification sheet for details.



## Operating Requirements

	Minimum	Maximum
Air Temperatures	50°F (10°C)	100°F (38°C)
Water Temperatures	40°F (4.4°C)	100°F (38°C)
Remote Cond. Temps	-20°F (-29°C)	120°F (49°C)
Potable Water Pressure	20 PSIG (1.4 bar)	80 PSIG (5.5 bar)
Cond. Water Pressure	20 PSIG (1.4 bar)	230 PSIG (16.1 bar)
Electrical Voltage	-5%	+10%

Specifications and design are subject to change without notice.

# Scotsman®

## B322S, B330P, B530P/S, B842S, B948S - Storage Bins

### Modular Storage Bins



B530S show with optional KLP8S legs.

### Features

- New sleek, contemporary styling. A perfect match to Prodigy Plus cube ice machines and other Scotsman ice machines.
- Convenient, built-in scoop holder.
- Easily removable baffle, no tools required for cleaning.
- Lightweight.
- Unique recessed drain fitting for maximum installation flexibility.
- Corrosion resistant.
- Spring loaded door with hidden hinges for easy opening and closing (except for B230P).
- Available in metallic finish or durable rotocast plastic.
- Ice scoop included.



### Certification



### Storage Capacity

B322S	B330P	B530P/S	B842S	B948S
Application Capacity	Application Capacity	Application Capacity	Application Capacity	Application Capacity
370/168 lb/kg	344/156 lb/kg	536/244 lb/kg	778/353 lb/kg	893/406 lb/kg

Application capacity is based on 90% of total volume in cubic feet x 34 lb/ft<sup>3</sup>



### Polyurethane Insulation

Foam insulation is forced between the wall and liner under heat and pressure to form a perfect wall to wall bond, preserving ice supply for long periods.



### Bin Interior

The polyethylene bin interior is sanitary and easy to clean. Resists scratches and scuffs from ice scoops.



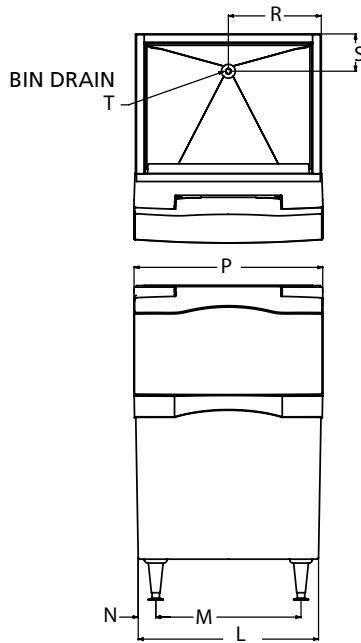
### Warranty

- 3 years parts and labor on all components.
- Warranty valid in North, South & Central America for commercial installations.
- Contact factory for warranty in other regions.
- Residential Applications: 1 year parts and labor

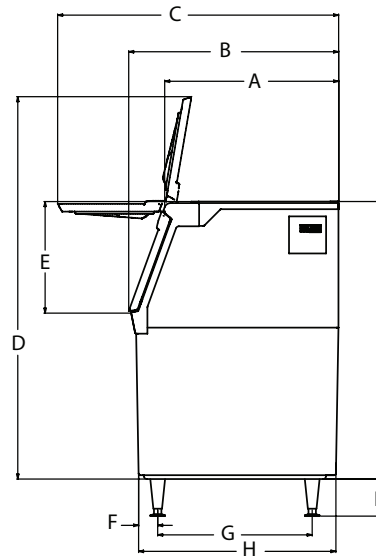
B322S, B330P, B530P/S, B842S, B948S - Storage Bins

# Scotsman®

- 101 Corporate Woods Parkway, Vernon Hills, IL 60061 •
- 1-800-SCOTSMAN • Fax: 847-913-9844 • [www.scotsman-ice.com](http://www.scotsman-ice.com) • [customer.relations@scotsman-ice.com](mailto:customer.relations@scotsman-ice.com) •



Installation Note: Allow 6" space at back for utility connections.



### Dimensions

Model #	A	B	C	D	E	F	G	H	J	K	L	M	N	P	R	S	T
B322S	28.23	34	45.5	61.24	18	3.88	25	32.75	44	6	22	15.5	3.25	22.5	11	6	.75 NPT
B330P	28.15	34	45.5	47.24	18	3.33	25	32.42	31	6	30	23.5	3.08	30.5	15	6	.75 NPT
B530P/S	28.15	34	45.5	61.24	18	3.09	25	31.93	44	6	30	23.5	2.83	30.5	15	6	.75 NPT
B842S	28.07	34	45.5	61.87	18	3.88	25	32.75	44	6	42	35.5	3.25	42.5	21	6	.75 NPT
B948S	28.05	34	45.5	61.24	18	3.88	25	32.75	44	6	48	41.5	3.25	48.5	24	6	.75 NPT

### Overall Dimensions

Model #	Carton (W x D x H)*
B322S	22" x 34" x 44"
B330P	30" x 34" x 31"
B530P	30" x 34" x 44"
B530S	30" x 34" x 44"
B842S	42" x 34" x 44"
B948S	48" x 34" x 44"

\* Add 6" Height for bin legs.

### Accessories\*

Model Number	Description
KBC1	Kit, bit casters for B530S, B842S, B948S and SB380.** Not for use with B322S or SB480 when using extensions.
KBC1P	Kit, bin casters for B330P and B530P.**
KLP7	Kit, legs, 6", flanged feet, for B bins, HD dispensers, AFE, CU1/2/3 and NSE.
KLP8S	Kit, legs, 6", stainless steel, for B bins, HD dispensers, AFE, CU1/2/3 and NSE.
BGS10	Bagger, hooks on any bin.
KBAG	Kit, bags, 1000, for BGS10.
KSEALER	Kit, tape sealer, for BGS10.
KTAPE	Kit, tape, 180 ft. roll, for BGS10.
KHOLDER	Kit, scoop holder, stainless steel.

\*\*3.5" Diameter, 2 locking, raises bin 4.5".

### Shipping Information

Model #	Carton (W x D x H)	Weight (lb/kg)
B322S	26" x 36" x 49"	140/64
B330P	33" x 36" x 35"	90/41
B530P	33" x 37" x 49"	110/50
B530S	33" x 37" x 49"	150/68
B842S	45" x 36" x 49"	190/86
B948S	51" x 36" x 49"	209/95