

# SERVER

• E S S E N T I A L S •

## Topping Warmer Food Server with Pump

SPECIFICATION SHEET

### FAST FACTS

FSP Warmers precise temperature control, even heat and accurate portioning ensures more warm dessert topping is served from each 3 qt jar, #10 topping can or 48 oz pouch with conversion kit.

### APPLICATIONS

- Indulge your menu with heated dessert sauces like hot fudge, creamy caramel or white chocolate; served with consistent portions for the ideal presentation, every time
- Adaptable base covers to serve with a ladle from a #10 can or stainless steel jar (accessory - 94009) or into a Signature Touch™ Squeeze Bottle Warmer

### DETAILS

- The classic FSP stainless steel water-bath warmer and pump defines Server Essentials in just 8 in of countertop
- Toppings and sauces are served at their peak flavor with a temperature-controlled thermostat to turn the wrap-around heating element on or off as needed
- Portion-control pump manages serving sizes of expensive ingredients; serve 1-oz max, adjustable in 1/8 oz increments
- Serve from a 3 qt Jar 94009 (recommended), #10 topping can or 48 oz topping pouch with Conversion Kit 81184
- Coordinate pump knob with store theme or contents within; specify color and text when ordering

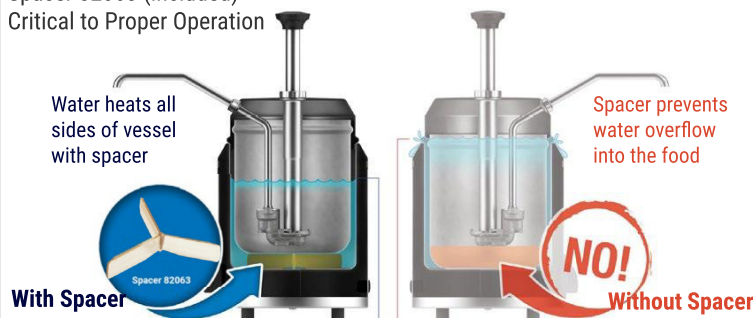


Thermostat Knob



Optional:  
Squeeze  
Bottle Inset  
Kit 86819

Spacer 82063 (included)  
Critical to Proper Operation



Optional: Stainless Steel Jar 94009  
& Storage Lid 94008



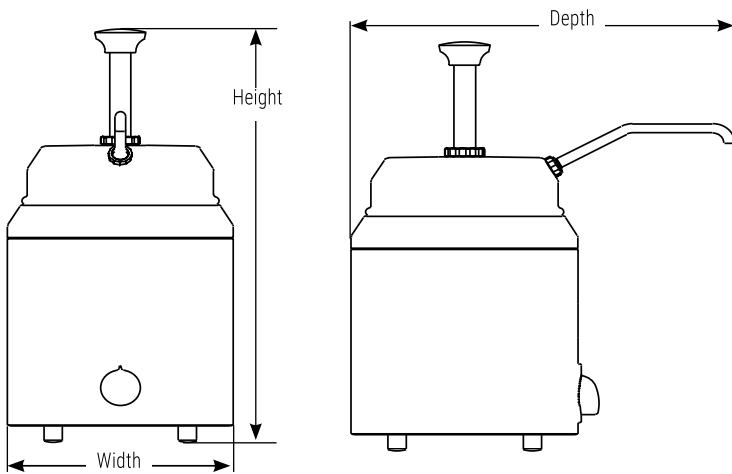
FSP 82060 Shown  
with Can2Pouch™  
Conversion Kit 81184



## Even heating. Even better toppings.

### TOPPING WARMER WITH PUMP MODEL: FSP

Server model FSP is a stainless steel, rethermalizing water-bath warmer with pump. An adjustable, temperature-sensing thermostat controls the 500 watt, wrap-around heating element, turning it off and on as needed. Temperature settings are marked on the thermostat knob and an ON/OFF rocker switch controls power. Unit dispenses from a #10 can, 3 qt stainless steel jar 94009 or can be converted to dispense from 48 oz pouches with Kit 81184 (jar and kit sold separately). Maximum portion yields 1 oz; reduces in 1/8 oz increments. 120V AC 4.2 A, 500-Watts, NEMA 5-15P plug with 72 in power cord. 2-Year warranty.



### TOPPING WARMER WITH PUMP

order amt	model/item	description	capacity	dims (H x W x D)	plug	electrical	watts	weight
<input type="checkbox"/>	<a href="#">FSP 82060</a>	topping warmer with pump	#10 can, 3 qt jar	15 3/4 x 7 3/4" x 13 1/16"		120 V AC 4.2 A	500	9 lb

### ACCESSORY ITEMS

order amt	item	description
<input type="checkbox"/>	<a href="#">94009</a>	stainless steel 3 qt jar
<input type="checkbox"/>	<a href="#">94008</a>	abs plastic, jar storage lid
<input type="checkbox"/>	<a href="#">86819</a>	squeeze bottle inset kit with (3) 16 oz, high-temp bottles
<input type="checkbox"/>	<a href="#">81184</a>	Can2Pouch™ conversion kit

## Convert for good.

Better for your budget and the environment – our simple pouch solutions keep up with today's packaging evolution. You can still switch to the pouch with your current FSP warmer; no need to buy new.

- Purchase a reusable stainless steel jar (94009) and pour pouched toppings in
- If pouches have a fitment, purchase a pouch conversion kit (81184) to retrofit your pump – see how at [Can2Pouch.com](#).



ADDING INDULGENCE TO YOUR MENU BEGINS WITH FSP  
 SERVER-PRODUCTS.COM | 800.558.8722 | 262.628.5600