

SERVER

• E S S E N T I A L S •

Topping Warmers Single Warmers

SPECIFICATION SHEET

FAST FACTS

Single Topping Warmers ensure precise temperature control and even heat for perfectly warmed sauces, gravies or toppings every time from 3 qt jars or #10 food cans. Or, add your special touch with warmed squeeze bottles in your workspace.

APPLICATIONS

- Serve sweet and savory toppings at the ideal temperature from the first serving to the last; FS includes 1 oz ladle
- Signature Touch™ Squeeze Bottle Warmer (SBW) keeps three bottles of syrups or sauces warmed and ready for service with a common base and inset kit

DETAILS

- The classic FS stainless steel water-bath warmer with ladle defines Server Essentials in just 8 in of countertop
- Water fill lines eliminate overflow accidents
- Dips, sauces and gravies are served at their peak flavor with a temperature-controlled thermostat to turn the wrap-around heating element on or off as needed
- Serve from a 3 qt Jar 94009 (recommended) or #10 can
- Coordinate lid knob with store theme or contents within; specify color and text when ordering
- SBW includes inset and three 16 oz bottles for heated use



FS Option: SST Jar 94009
& Storage Lid 94008



FS Option: Squeeze Bottle Inset
Kit 86819; Single Bottle 86809

“I am very familiar with the brand. I've always used them for warm toppings. They are **versatile, easy to clean** and have a **long life.**”

Chandon Clenard
Senior Director of Foodservice
Guckenheimer - 400 B&I locations in 34 states

SERVER
INTELLIGENT BY DESIGN



SBW
86810

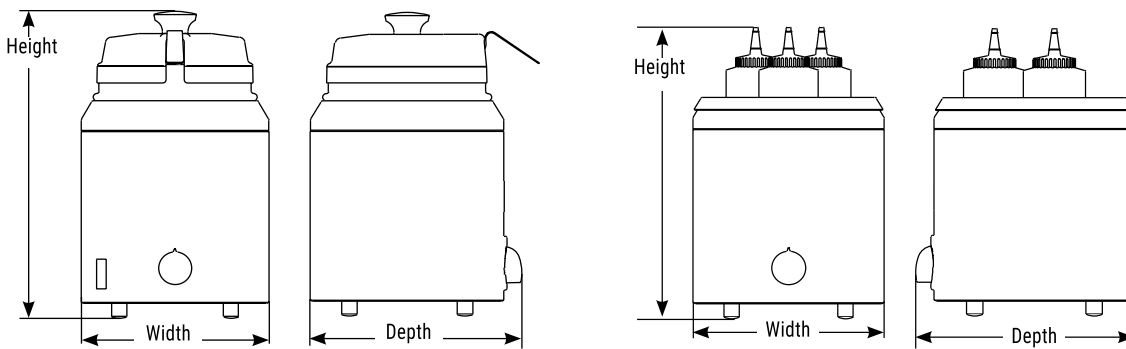


FS
82500

Even heating. Even better toppings.

TOPPING WARMER MODELS: FS | SBW

Server model FS is a stainless steel, rethermalizing water-bath warmer with lift-off lid, adapter ring and 1 oz ladle. An adjustable, temperature-sensing thermostat controls the 500 watt, wrap-around heating element, turning it off and on as needed. Temperature settings are marked on the thermostat knob and an ON/OFF rocker switch controls power. FS serves from a #10 can or 3 qt stainless steel jar (94009 jar sold separately). SBW features stainless steel inset and (3) 16 oz high-density squeeze bottles. 120V AC 4.2-A, 500 Watts, NEMA 5-15P plug with 72 in power cord. 2-year warranty.



TOPPING WARMERS

| order amt | model/item | description | capacity | dims (H x W x D) | plug | electrical | watts | weight |
|--------------------------|--|---|--------------------------------------|---------------------------|------|-------------------|-------|--------|
| <input type="checkbox"/> | FS 82500 | topping warmer with ladle 82561, lid 82509 & adapter 82507 | #10 can, 3 qt jar | 12 3/4" x 7 3/4" x 8 1/2" | | 120 V AC 4.2 A | 500 | 8 lb |
| <input type="checkbox"/> | SBW 86810 | Signature Touch™ warmer with (3) high-temp squeeze bottles 86809 & bottle inset 86811 (kit 86819) | (3) 16 oz, high-temp squeeze bottles | 12" x 7 3/4" x 8 1/2" | | | | 9 lb |

ACCESSORIES

| order amt | item | description |
|--------------------------|-----------------------|--|
| <input type="checkbox"/> | 94009 | stainless steel 3 qt jar |
| <input type="checkbox"/> | 94008 | abs plastic, jar storage lid |
| <input type="checkbox"/> | 82561 | stainless steel 1 oz ladle |
| <input type="checkbox"/> | 86819 | squeeze bottle inset kit with (3) 16 oz, high-temp bottles |
| <input type="checkbox"/> | 86809 | 16 oz squeeze bottle, high-temp |



KEEP YOUR MENU FRESH WITH SINGLE TOPPING WARMERS
SERVER-PRODUCTS.COM | 800.558.8722 | 262.628.5600