

SERVER

• E S S E N T I A L S •

Food Container Pumps Stainless Steel Pumps

SPECIFICATION SHEET



FAST FACTS

Stainless steel food container pumps fit #10 cans and 1 gallon jars while dispensing 1 oz max portions that can be reduced by 1/8 oz increments.

APPLICATIONS

- Serve flavored dessert syrups and condiments like ketchup, mayo and salad dressings straight from their original containers

DETAILS

- Dispense portion-controlled condiments and toppings straight from the original container; models available fit #10 cans and 1 gal jars
- Precise portions control food costs and ensure flavor consistency
- 3 qt jar available for house-made sauces – jar opening matches #10 can
- Pump knobs can be colored or engraved for easy identification
- NSF listed, clean-in-placem certified or easily disassemble for cleaning



SP
82000



CP-10
83000



CP-G 110 mm
83120

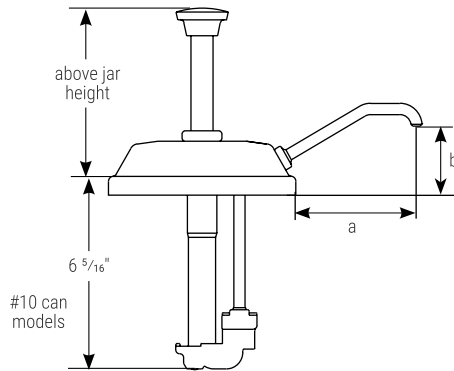


Purposefully made to last.

SEE TABLE FOR APPLICABLE TRAITS BY MODEL	
DISPENSES KEY	THIN fountain syrups • oils • hot sauce
	THICK ketchup • mustard • mayo • bbq
	THICKER tartar sauce • crafted sauces
APP KEY	AMBIENT COLD HOT

STAINLESS STEEL FOOD CONTAINER PUMP MODELS: SP, CP-10 & CP-G

Server stainless steel food container pump models dispense directly from a manufacturer's food container. SP and CP-10 models dispense from #10 cans or Server's stainless steel jar 94009, (sold separately). For 1 gallon jars, use model CP-G with corresponding jar opening size. Pumps dispense 1 oz max portion; adjustable in 1/8 oz increments. NSF listed, clean-in-place certified. Two-year warranty.



order amt	dispenses	model/item	application	pump & lid fit	full portion	above jar (H)	dim a	dim b	weight
<input type="checkbox"/>		SP 82000		#10 can or 94009 jar (jar not included)	1 oz	5 9/16"	4 1/8"	1 11/16"	2 lb
<input type="checkbox"/>		CP-10 83000					4 1/16"	1 1/4"	
<input type="checkbox"/>		CP-G 89 83130		gallon container, 89 mm threads			3 1/2"		
<input type="checkbox"/>		CP-G 110 83120		gallon container, 110 mm threads	1 oz	4 3/8"	3 1/4"	2 1/16"	3 lb
<input type="checkbox"/>		CP-G 120 83110		gallon container, 120 mm threads			3 1/16"		

RELATED PRODUCTS

94009 JARS

Dispense homemade sauces, condiments and toppings or transfer pouched products for easy dispensing with the 3 qt jars.



COLORED, ENGRAVED KNOBS

Interchangeable engraved and colored knobs help staff and patrons identify contents, coordinate with store themes or promote branded products. Specify color and text at time of order – exact shade may vary.



GET OUT ALL THE GOOD WITH FOOD CONTAINER PUMPS
 SERVER-PRODUCTS.COM | 800.558.8722 | 262.628.5600