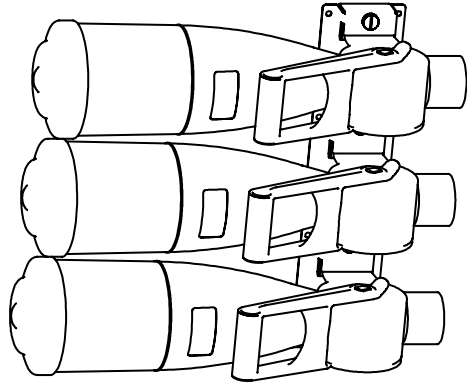


86660

Dry Product Dispenser 2L Triple



Complete View for Reference

