

## Food Container Pumps Eco Pumps™

SPECIFICATION SHEET

### FAST FACTS

Eco Pumps™ fit various standard-sized food containers and feature models that dispense 1/2 or 1/4 oz fixed portions or serve a 1 oz max portion that is adjustable in 1/8 oz increments

### APPLICATIONS

- Smooth ingredients such as ketchup, hot sauce, drink syrups and concentrates
- Dispense thick, crafted ingredients from bottles with 38 mm opening and as short as 7"

### DETAILS

- Smart alternative to constant costs of disposable bottle pumps
- Manage food costs and customer experience with precise, adjustable portions
- Stainless steel pump and plastic cylinder are durable for years of service
- NSF listed and clean-in-place certified for cleaning without disassembly



BP-1/4  
88180



BP-1/2  
88190



BP-1 Thick  
88220



BP-1  
88000

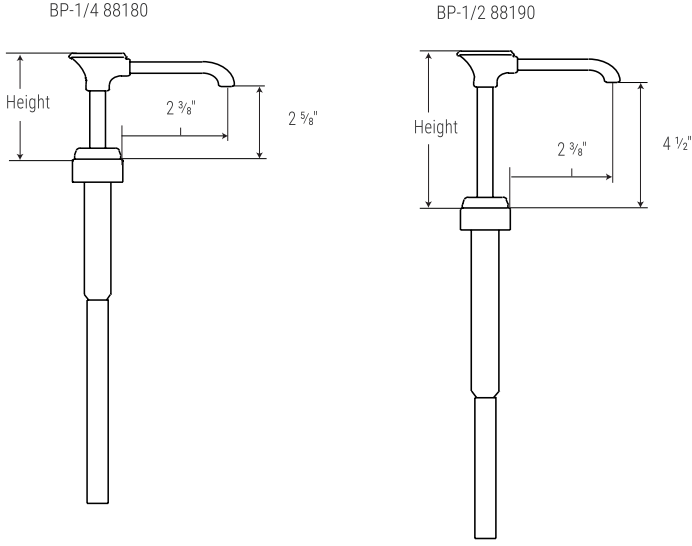


Economically sound. Environmentally friendly.

SEE TABLE FOR APPLICABLE TRAITS BY MODEL	
DISPENSES KEY	<b>THIN</b> fountain syrups • oils • hot sauce
	<b>THICK</b> ketchup • mustard • mayo • bbq
	<b>THICKER</b> tartar sauce • crafted sauces
APP KEY	<b>AMBIENT</b>
	<b>COLD</b>
	<b>HOT</b>

**ECO PUMP™ MODELS: BP-1/2 & BP-1/4**

Server Eco™ Pump models BP-1/2 and BP-1/4 are constructed of a stainless steel pump head assembly and plastic cylinder, and are designed to dispense smooth products directly from containers as short as 7" with a 28 mm opening. BP-1/2 dispenses a 1/2 oz fixed portion, and BP-1/4 dispenses a 1/4 oz fixed portion. NSF listed, clean-in-place certified and BPA Free. Two-year warranty.



order amt	dispenses	model/item	application	description	full portion	height above jar	weight
<input type="checkbox"/>		<a href="#">BP-1/2 88190</a>		bottle, 28 mm threads	1/2 oz, fixed	5 9/16"	2 lb
<input type="checkbox"/>		<a href="#">BP-1/4 88180</a>			1/4 oz, fixed	3 11/16"	

**RELATED PRODUCTS**

**1 LITER BOTTLE**

Perfect for house-made ingredients and beverage add-ins, the (88471) 1 L bottle is dishwasher safe, NSF-listed and pairs with a BP-1 88000 or BP-1, Thick 88220. Includes a storage cap!



**WIRESWIS™ ORGANIZERS**

Save space with tiered organizers – use Eco Pumps™ to dispense from (3) 1 L bottles, 1 gal jugs or 64 oz jugs in a space less than 7" wide.



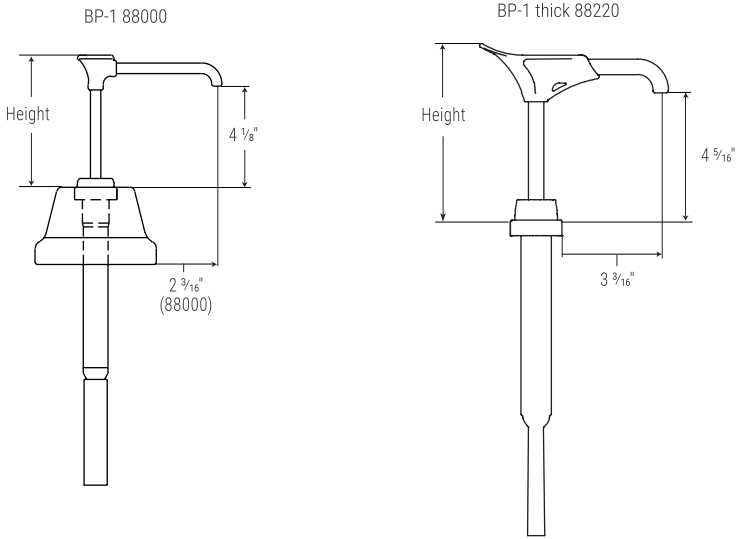
SENSIBLY DISPENSE WITH ECO PUMPS™, THE SMART SOLUTION TO DISPOSABLE PUMPS  
SERVER-PRODUCTS.COM | 800.558.8722 | 262.628.5600

Economically sound. Environmentally friendly.

SEE TABLE FOR APPLICABLE TRAITS BY MODEL	
DISPENSES KEY	<b>THIN</b> fountain syrups • oils • hot sauce
	<b>THICK</b> ketchup • mustard • mayo • bbq
	<b>THICKER</b> tartar sauce • crafted sauces
APP KEY	<b>AMBIENT</b>
	<b>COLD</b>
	<b>HOT</b>

**ECO PUMP™ MODEL: BP-1**

Server Eco Pump™ model BP-1 is constructed of a stainless steel pump head assembly and plastic cylinder. BP-1 88000 and BP-1, Thick 88220 are designed to dispense directly from containers as short as 7" with a 38 mm thread. BP-1, Thick 88220 works with containers as tall as 12". Max 1 oz portion can be reduced in 1/8 oz increments. NSF listed, clean-in-place certified and BPA Free. Two-year warranty.



order amt	dispenses	model/item	application	pump/cap fit (jar not included)	full portion	height above jar	weight
<input type="checkbox"/>		<a href="#">BP-1 88000</a>		bottle, 38 mm threads	1 oz	5 1/4"	2 lb
<input type="checkbox"/>		<a href="#">BP-1, thick 88220</a>				5 7/8"	

**RELATED PRODUCTS**

**1 LITER BOTTLE**

Perfect for house-made ingredients and beverage add-ins, the (88471) 1 L bottle is dishwasher safe, NSF-listed and pairs with a BP-1 88000 or BP-1, Thick 88220. Includes a storage cap!



**WIRESWIS™ ORGANIZERS**

Save space with tiered organizers – use Eco Pumps™ to dispense from (3) 1 L bottles, 1 gal jugs or 64 oz jugs in a space less than 7" wide.



SENSIBLY DISPENSE WITH ECO PUMPS™, THE SMART SOLUTION TO DISPOSABLE PUMPS  
SERVER-PRODUCTS.COM | 800.558.8722 | 262.628.5600