

SERVER®

• E S S E N T I A L S •

Food Jar Pumps 1/9-Size Jar Pumps

SPECIFICATION SHEET



FAST FACTS

1/9-Size Jar Pumps dispense a 1 oz max portion which is adjustable in 1/8 oz increments and fit exclusive Server 1/9-size jars with 2 qt capacity (sold separately)

APPLICATIONS

- Serve from insulated or ambient topping stations
- Dispense drink syrups and concentrates, hot sauce, soy sauce or other ingredients with exacting portion control

DETAILS

- Both stainless steel and hybrid Eco Pump™ models fit in Server's exclusive 1/9-size jar
- Manage food costs and flavor with portion-controlled pumps
- NSF listed, clean-in-place certified or disassemble for cleaning and years of service
- Use interchangeable engraved and colored knobs to help identify products for stainless steel pumps; black is standard



FP-1/9
87310



BP Syrup-1/9
88150

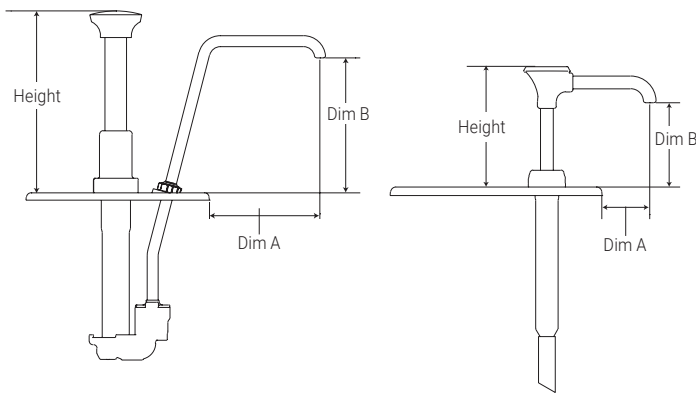


Cool Flavors. For Cravable Concoctions.

SEE TABLE FOR APPLICABLE TRAITS BY MODEL	
DISPENSES KEY	THIN fountain syrups • oils • hot sauce
	THICK ketchup • mustard • mayo • bbq
	THICKER tartar sauce • crafted sauces
APP KEY	AMBIENT COLD HOT

1/9 SIZE 2-QT JAR PUMP MODELS: CP-1/9, FP-1/9 & BP SYRUP-1/9

Server 1/9-size jar pump models dispense directly from a 1/9-size jar, 6" deep. Each stainless steel pump is constructed with a cast valve body featuring captured balls to prevent loss. Stainless steel pumps dispense a max portion of 1 ounce per stroke reduces in 1/8 oz increments with supplied gauging collars. Bottle pump dispenses a fixed 1/4 oz portion. Stainless Steel Pump knob can be colored and engraved to label contents; black is standard. Stainless steel and plastic hybrid BP Syrup-1/9 is an alternative to disposable pumps. Exclusive 1/9-size jar sold separately. NSF listed, clean-in-place certified. BPA Free. 2-year warranty.



order amt	dispenses	model/item	application	pump & lid fit (jar not incl.)	full portion	dimensions H x W x D (above jar)	weight	dim a	dim b
<input type="checkbox"/>		CP-1/9 87300		1/9 -size jar, deep (60 oz)	1 oz	6 1/4" x 3 15/16" x 6 1/4"	2 lb	3 1/4"	4 3/8"
<input type="checkbox"/>		FP-1/9 87310				6 1/4" x 3 15/16" x 6 1/4"		3 3/4"	4 1/8"
<input type="checkbox"/>		BP Syrup-1/9 88150			1/4 oz	3 9/16" x 3 15/16" x 6 1/4"	1 lb	1 3/8"	2 1/8"

RELATED PRODUCTS

MINI STATION JARS

1/9-size jars accept Server pumps and are designed for use wherever steam table pans go or as a component piece in an insulated, countertop station. High-impact Polypropylene construction is dishwasher safe. Side slots accept a strike bar for leveling portions with a spoon or scoop.



COLORED, ENGRAVED KNOBS

Interchangeable engraved and colored knobs help staff and patrons identify contents, coordinate with store themes or promote branded products. Specify color and text at time of order – exact shade may vary.



GET OUT ALL THE GOOD WITH SERVER 1/9-SIZE JAR PUMPS
 SERVER-PRODUCTS.COM | 800.558.8722 | 262.628.5600