

4400NP

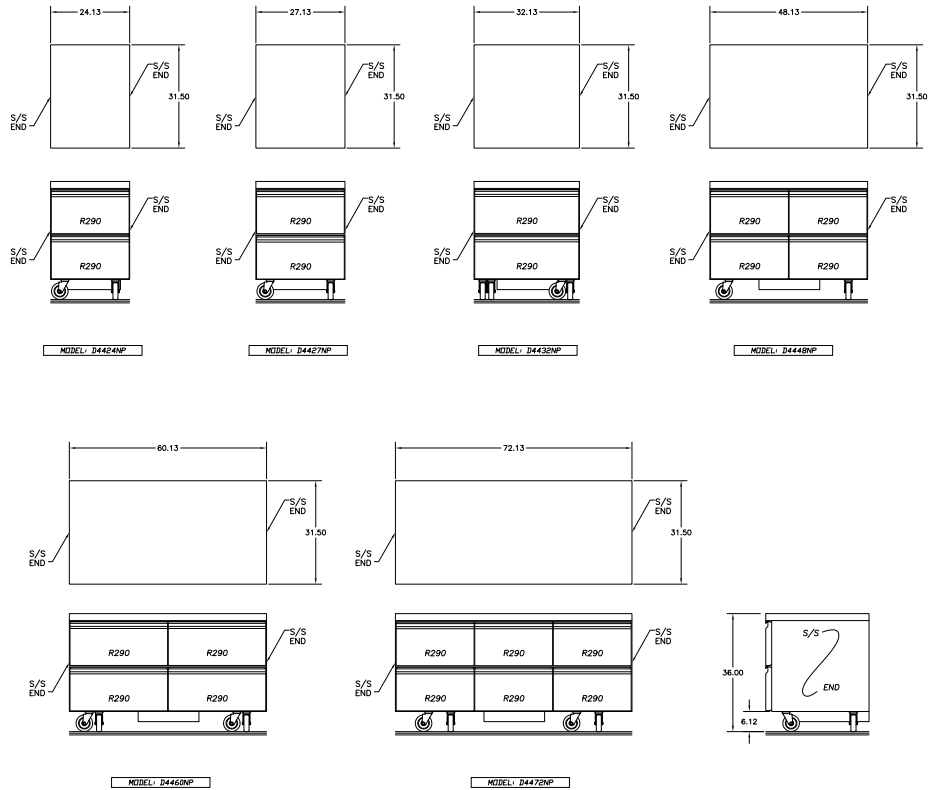
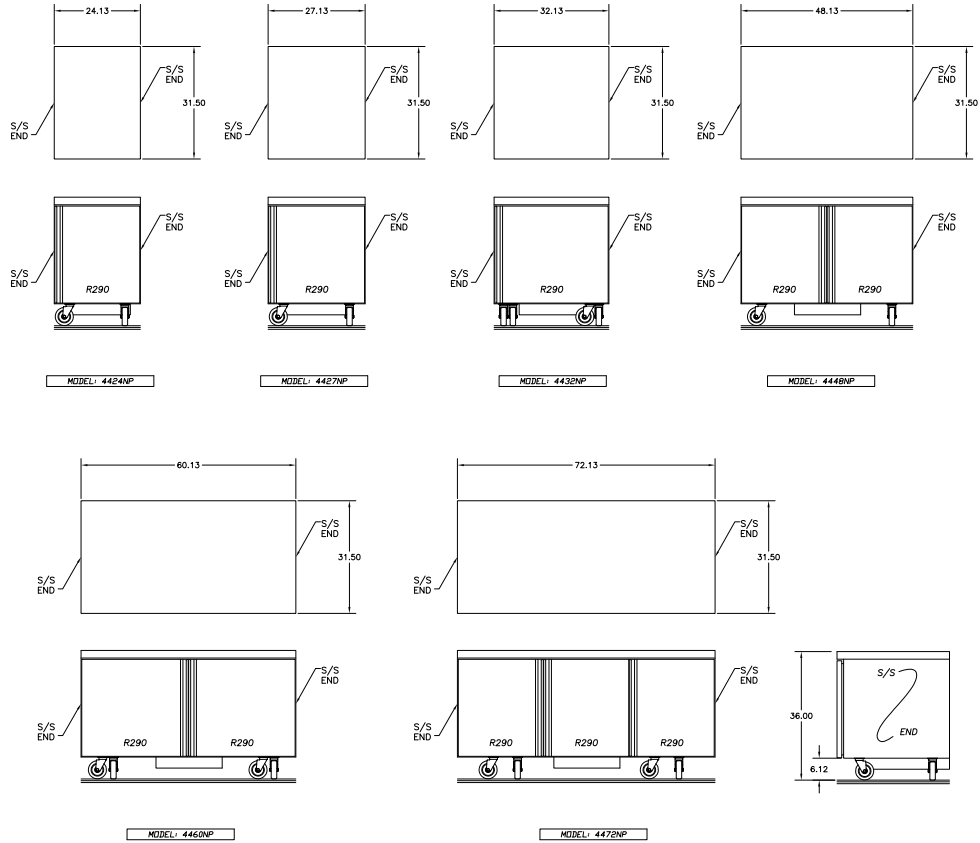
Front-Breathing Self-Contained Undercounter/Worktop

Refrigerated Models

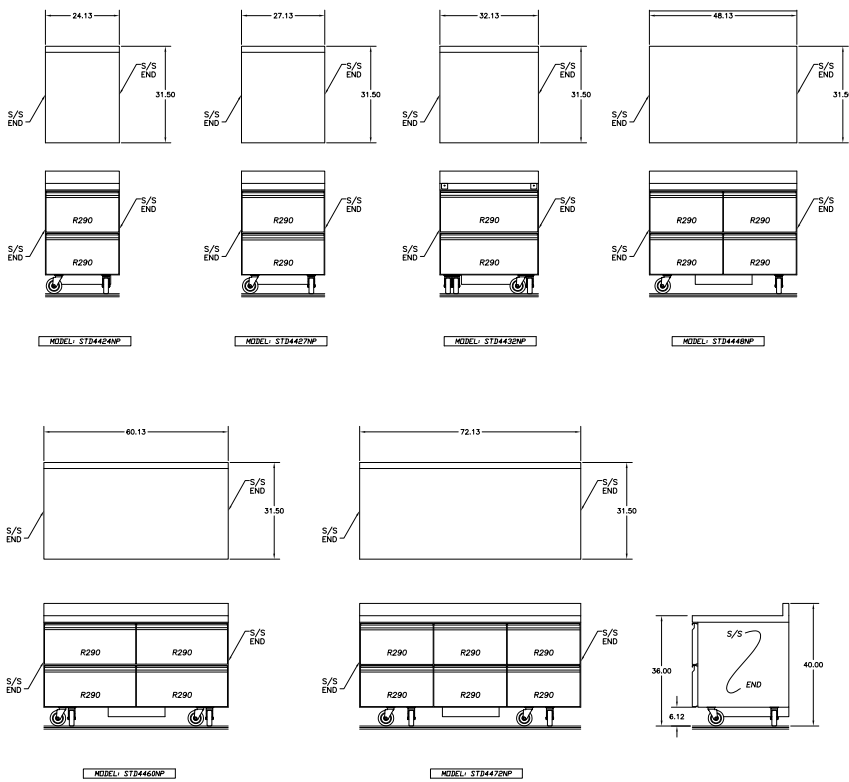
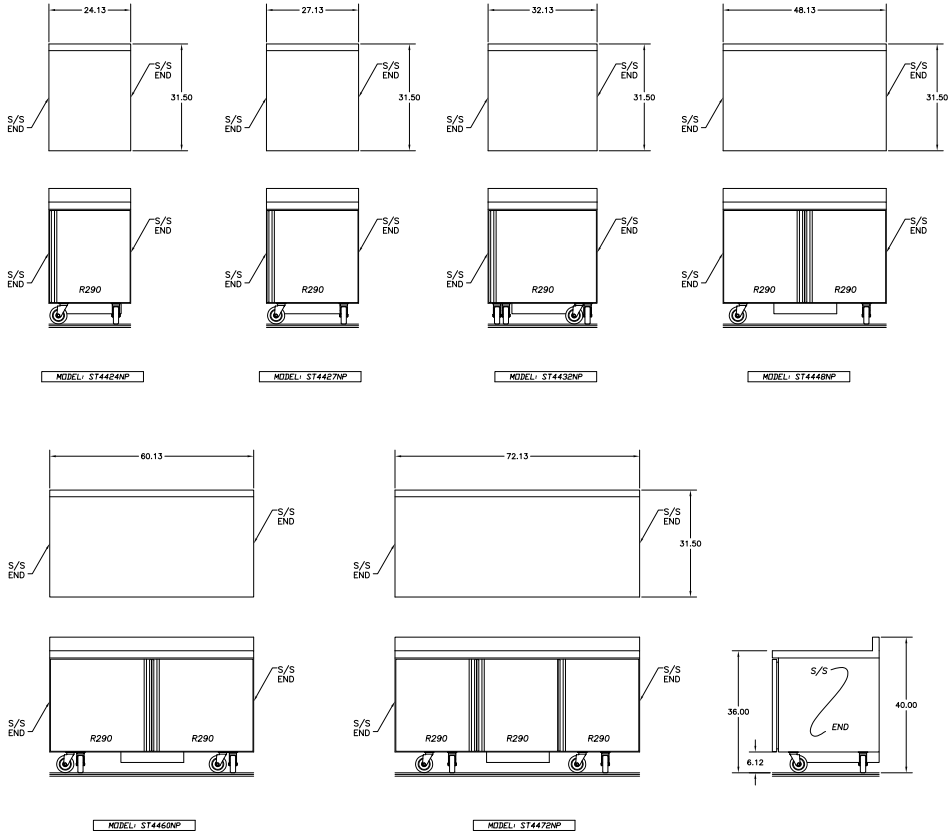
- 4424NP - Flat Top with Stainless Steel Doors
- 4427NP - Flat Top with Stainless Steel Doors
- 4432NP - Flat Top with Stainless Steel Doors
- 4448NP - Flat Top with Stainless Steel Doors
- 4460NP - Flat Top with Stainless Steel Doors
- 4472NP - Flat Top with Stainless Steel Doors
- D4424NP - Flat Top with Stainless Steel Drawers
- D4427NP - Flat Top with Stainless Steel Drawers
- D4432NP - Flat Top with Stainless Steel Drawers
- D4448NP - Flat Top with Stainless Steel Drawers
- D4460NP - Flat Top with Stainless Steel Drawers
- D4472NP - Flat Top with Stainless Steel Drawers
- ST4424NP - Backsplash with Stainless Steel Doors
- ST4427NP - Backsplash with Stainless Steel Doors
- ST4432NP - Backsplash with Stainless Steel Doors
- ST4448NP - Backsplash with Stainless Steel Doors
- ST4460NP - Backsplash with Stainless Steel Doors
- ST4472NP - Backsplash with Stainless Steel Doors
- STD4424NP - Backsplash with Stainless Steel Drawers
- STD4427NP - Backsplash with Stainless Steel Drawers
- STD4432NP - Backsplash with Stainless Steel Drawers
- STD4448NP - Backsplash with Stainless Steel Drawers
- STD4460NP - Backsplash with Stainless Steel Drawers
- STD4472NP - Backsplash with Stainless Steel Drawers



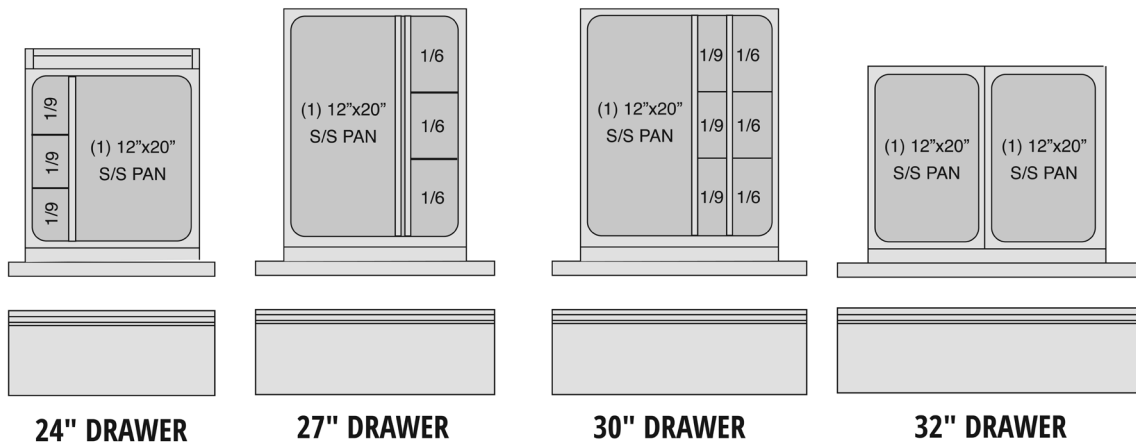
4400NP Undercounter/Worktop



Welbilt reserves the right to make changes to the design or specifications without prior notice.



Welbilt reserves the right to make changes to the design or specifications without prior notice.

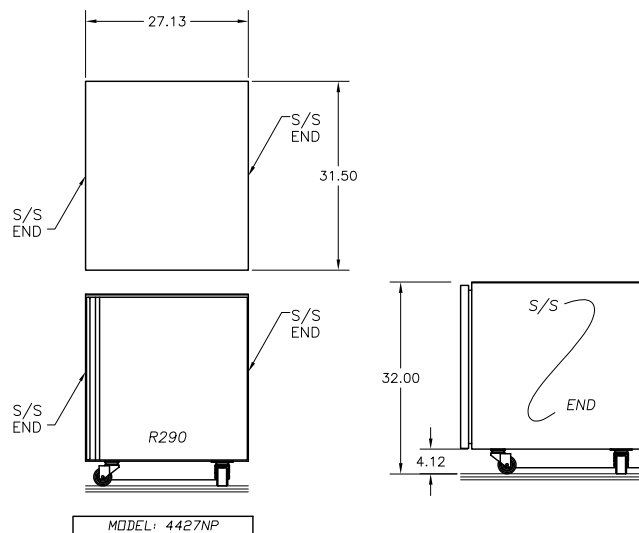


Specifications

Model	V/Hz/Ph	Nema plug
All	115/60/1	5-15P

Model Size	Length	Depth	Standard 5" Caster Height	Optional 3" Caster Height	Optional Work Height
24	24.12" (61cm)	31.50" (80cm)	36" (91cm)	34" (86cm)	32" (81cm)
27	27.12" (69cm)				
32	32.12" (81.5cm)				
48	48.12" (122cm)				
60	60.12" (152.5cm)				
72	72.12" (183cm)				

Optional 32" Work Height Unit



Welbilt reserves the right to make changes to the design or specifications without prior notice.