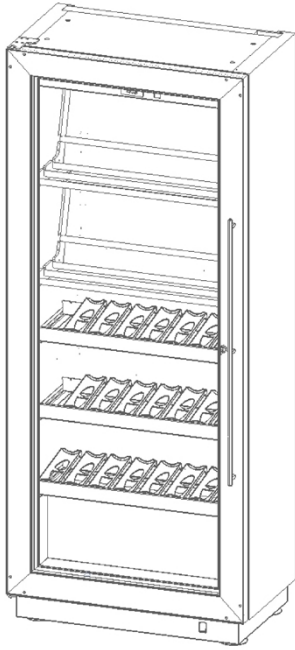


WINE

MIAMI

MIAMI MIX

Code A1MSTDMVPU	Description Refrigerated Wine Bottle Display Cabinet - MIAMI USA VT RF T + 3 DR
---------------------------	---



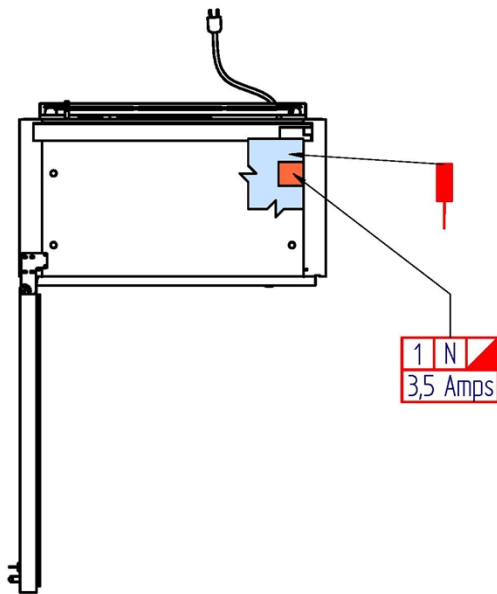
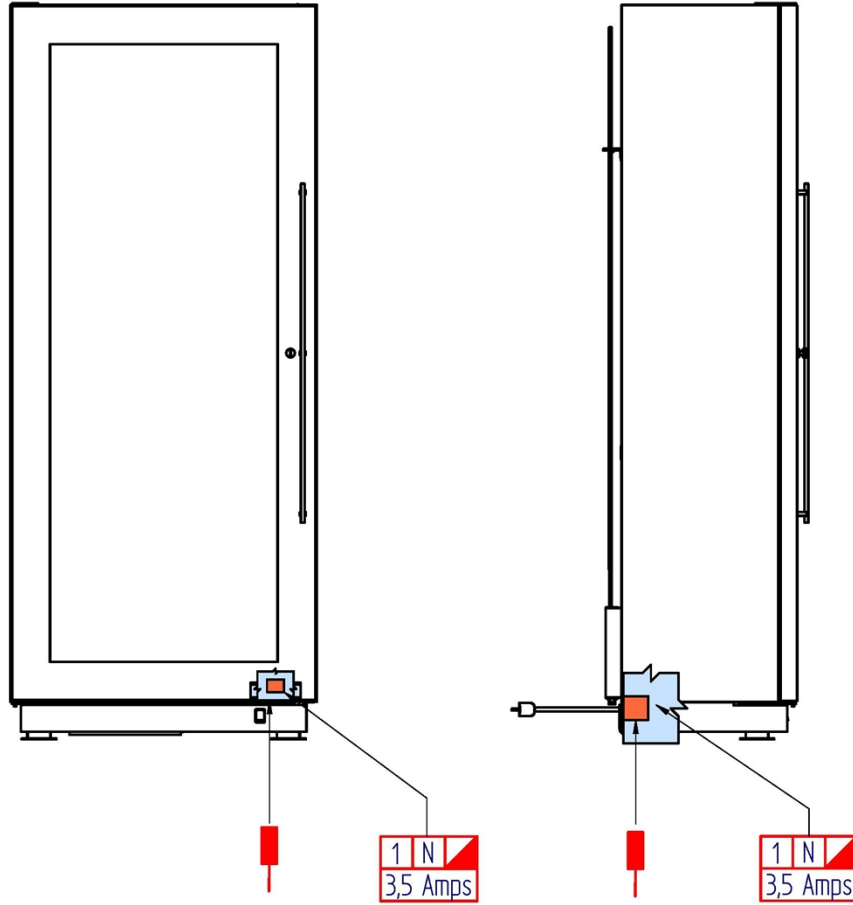
- Structure with insulated laminated panels.
- Aluminium profile integrated frame with low emission double glazed doors.
- Version with ventilated refrigeration, digitally controlled.
 - Internal layout with pull-out drawers and tubes.
 - Door lock and internal LED lighting.
 - Resistor heated condensate drain pan.


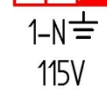

Non-contractual image, provided by way of example.

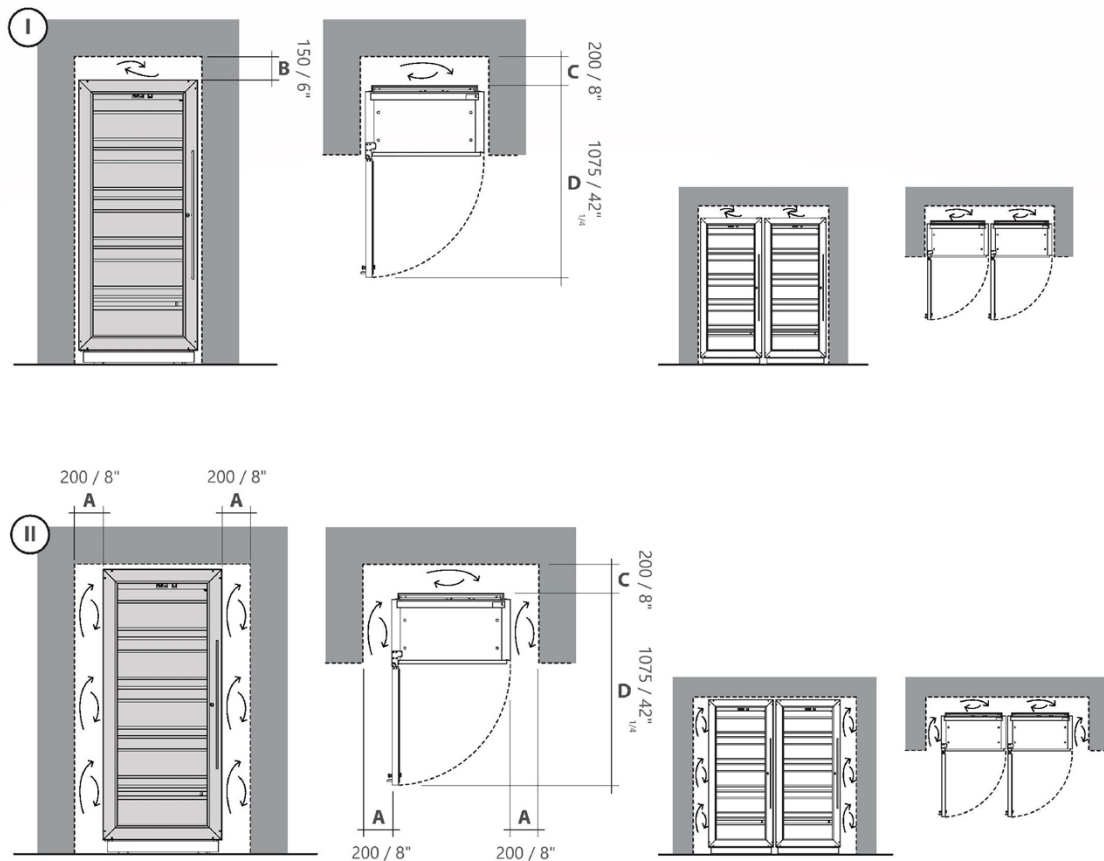
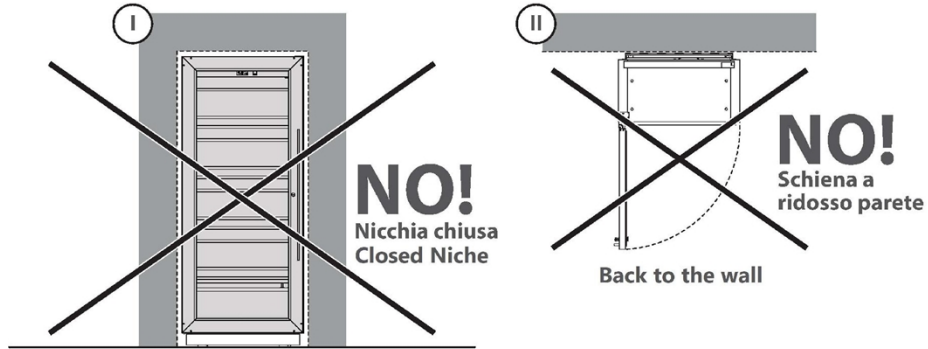
TECHNICAL DATA					
		Climate Class			
°F	Operating Climate Conditions		BORDEAUX	Cu. ft.	Amps
+39°F +68°F	A.T. 86°F - R.H. 55%	4	N°	-	3,5
		Energy Efficiency Class	Sound Emission Level (1)	Annual Energy Consumption (2)	
V/Ph/Hz	HFC		dB	kWh/Year	
115V/1/60 Hz	R290				

(1) Sound pressure level measured at 3 meters in front of the product. (2) Annual Energy Consumption as Delegated Regulation 2010/1060/UE.

DIMENSIONS AND WEIGHTS																				
in			in			in			in			in			in					
W	D	H	W	D	H	W	D	H	W	D	H	W	D	H	W	D	H	W	D	H
32 1/4	19 3/4	77 1/2	38 1/2	25 1/2	88 1/4	-	-	-	-	-	-	-	-	-	-	-	-	-	-	-
Lbs	Lbs	Cu. ft.	Lbs	Cu. ft.	Lbs	Cu. ft.	Lbs	Cu. ft.	Lbs	Cu. ft.	Lbs	Cu. ft.	Lbs	Cu. ft.	Lbs	Cu. ft.	Lbs	Cu. ft.		
330	441	-	-	-	-	-	-	-	-	-	-	-	-	-	-	-	-	-		
Total:																		Lbs	Cu. ft.	
																		441	-	



-  - Morsettiera
- Terminal board
-  - Tablero de terminales eléctricos
- Bornier électrique
-  - Spina
- Plug
- Enchufe eléctrico
- Prise électrique



* mm / pollici
inches
pulgadas
pouces