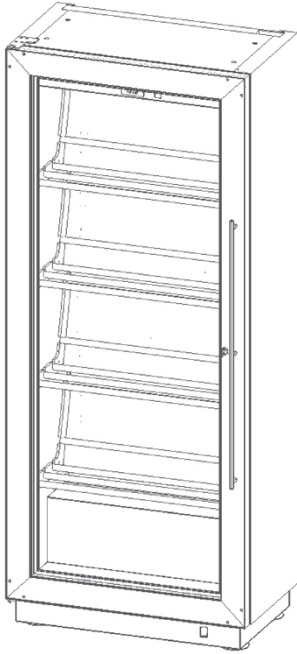


WINE

MIAMI
MIAMI T

Code A1MSTDTPVPU	Description Refrigerated Wine Bottle Display Cabinet - MIAMI USA VT RF
----------------------------	--



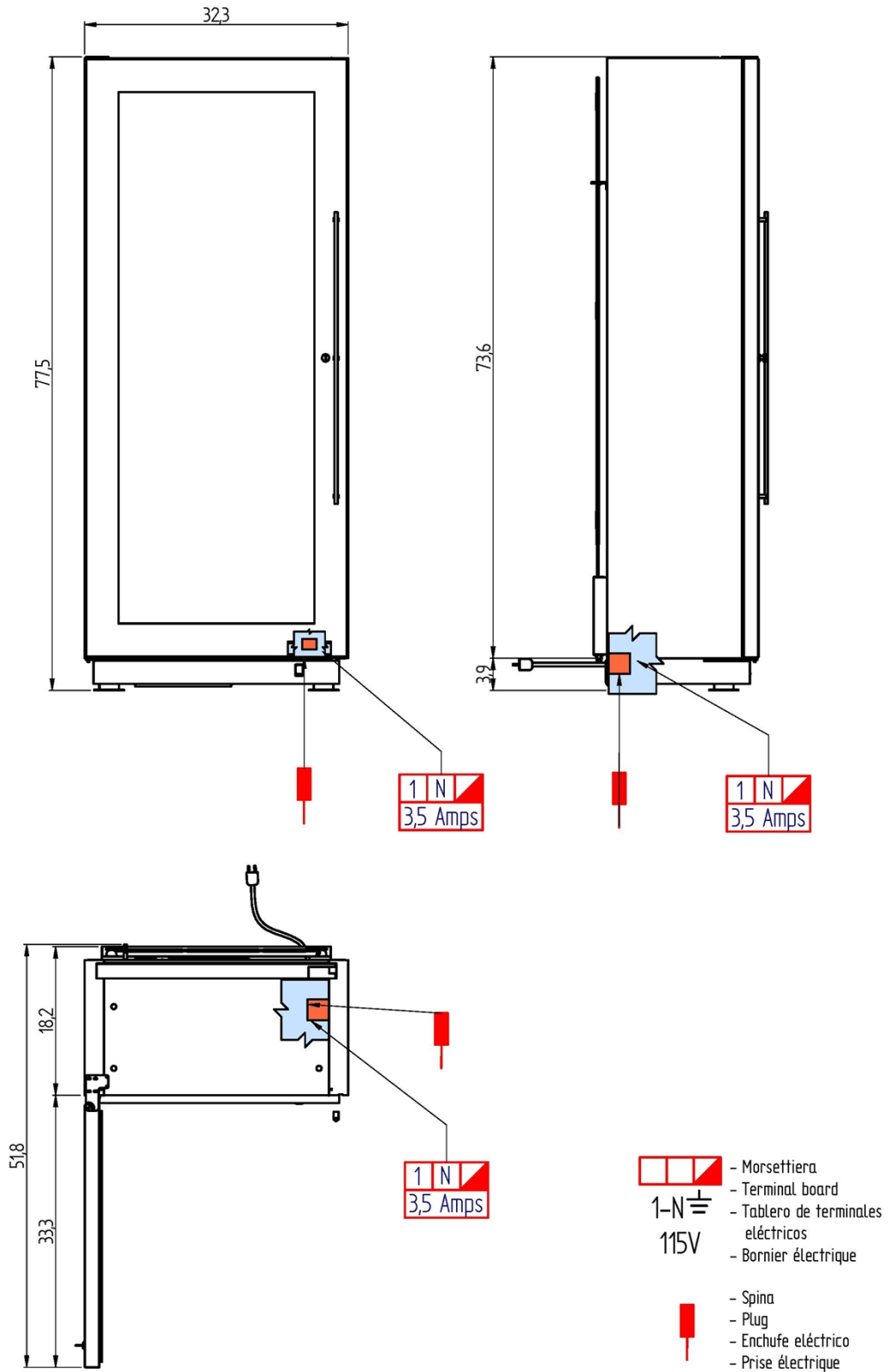
- Structure with insulated laminated panels.
- Aluminium profile integrated frame with low emission double glazed doors.
- Version with ventilated refrigeration, digitally controlled.
 - Internal layout with tubes.
 - Door lock and internal LED lighting.
 - Resistor heated condensate drain pan.

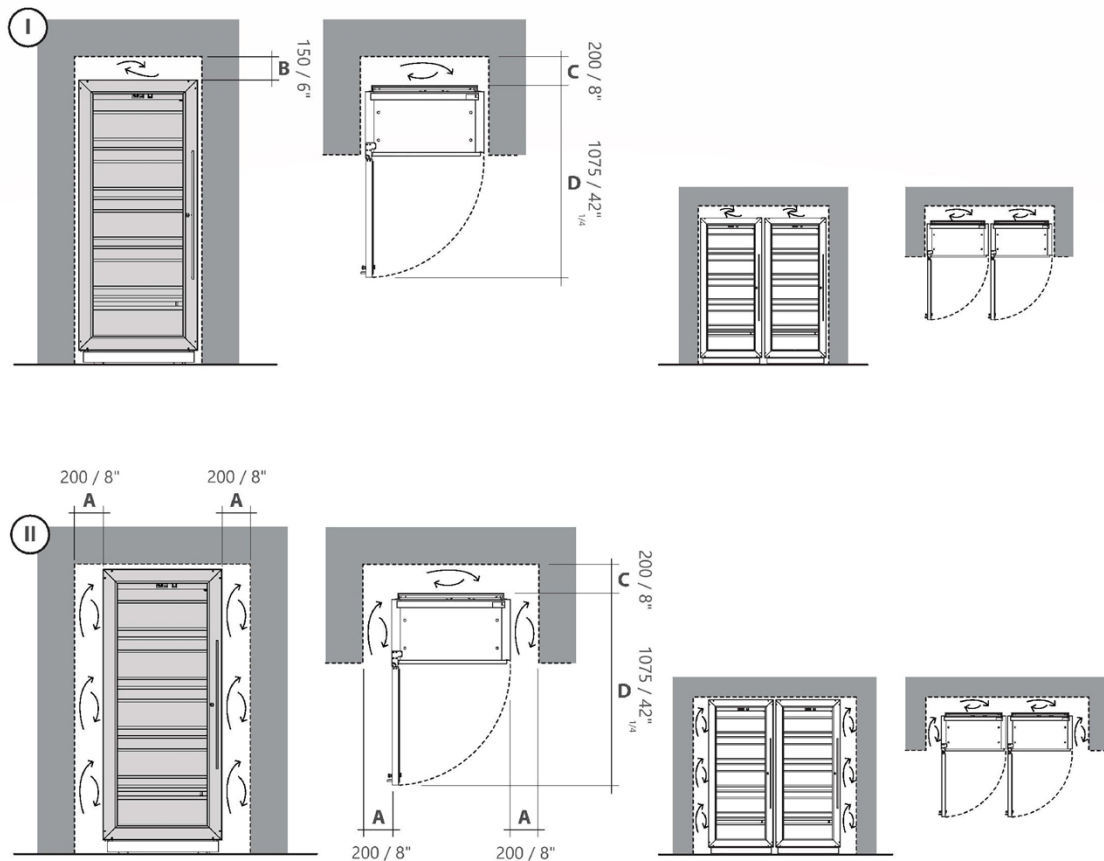
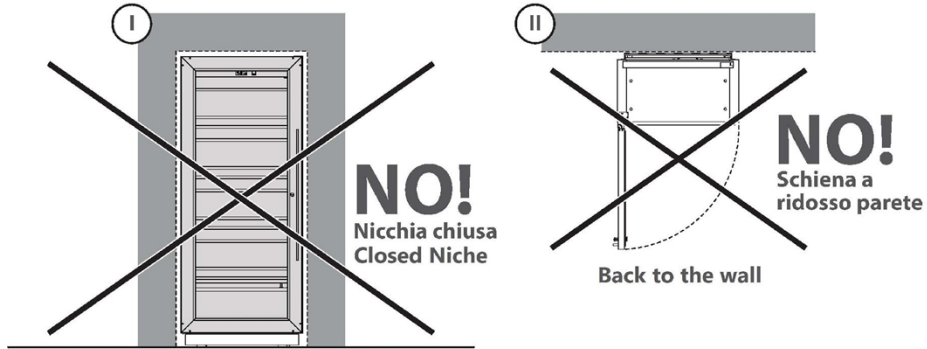
Non-contractual image, provided by way of example.

TECHNICAL DATA					
		Climate Class			
°F	Operating Climate Conditions		N°	Cu. ft.	Amps
+39°F +68°F	A.T. 86°F - R.H. 55%	4	126	-	3,5
		Energy Efficiency Class	Sound Emission Level (1)	Annual Energy Consumption (2)	
V/Ph/Hz	HFC		dB	kWh/Year	
115V/1/60 Hz	R290				

(1) Sound pressure level measured at 3 meters in front of the product. (2) Annual Energy Consumption as Delegated Regulation 2010/1060/UE.

DIMENSIONS AND WEIGHTS																								
in		in		1	in		2	in		3	in		4	in		5	in		6	in		6		
W	D	H	W	D	H	W	D	H	W	D	H	W	D	H	W	D	H	W	D	H	W	D	H	
32 1/4	19 3/4	77 1/2	38 1/2	25 1/2	88 1/4	-	-	-	-	-	-	-	-	-	-	-	-	-	-	-	-	-	-	
		1		2		3		4		5		6		6		6		6		6		6		6
Lbs	Lbs	Cu. ft.	Lbs	Cu. ft.	Lbs	Cu. ft.	Lbs	Cu. ft.	Lbs	Cu. ft.	Lbs	Cu. ft.	Lbs	Cu. ft.	Lbs	Cu. ft.	Lbs	Cu. ft.	Lbs	Cu. ft.	Lbs	Cu. ft.	Lbs	Cu. ft.
330	441	-	-	-	-	-	-	-	-	-	-	-	-	-	-	-	-	-	-	-	-	-	-	-
																			Total:	441	-			





* mm / pollici
inches
pulgadas
pouces