



Model: **11-406L** Item #: \_\_\_\_\_ Date: \_\_\_\_\_

Project: \_\_\_\_\_ Qty: \_\_\_\_\_ Approved By: \_\_\_\_\_

**4" Center Deck Mount Faucet with 6" Spout**

**Royal Series Plumbing**

**DESCRIPTION**

- 4" Center Deck Mount Faucet with 6" Spout, Polished Chrome Finish, 1.8GPM Aerator Installed



11-406L

**STANDARD FEATURES**

- ¼ Turn Ceramic Valves
- Durable Full Range Swing Spout with Double O-Ring Construction
- Lever Handles
- Warranty: 1 Year

**PRODUCT COMPLIANCE**

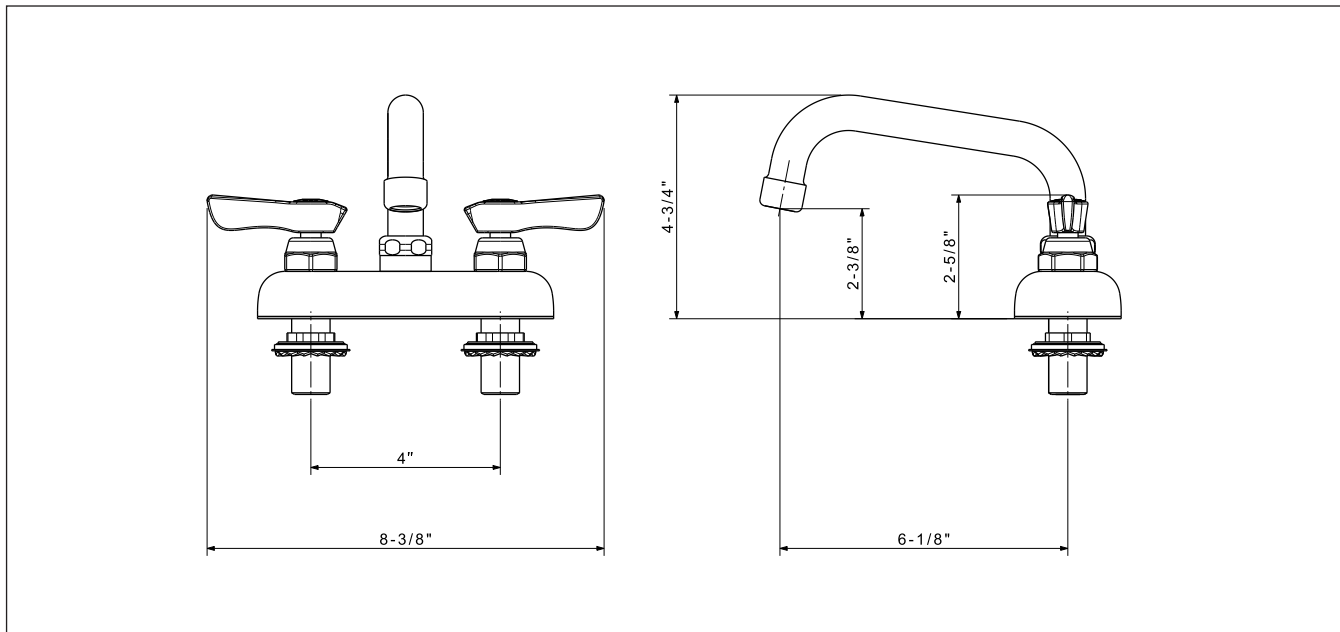
- ASME A112.18.1-2011/CSA B125.1-11
- NSF-61
- NSF/ANSI 372
- Meets ANSI A117.1 (ADA)
- California Proposition 65
- CEC Listed
- Massachusetts Approved



**WARNING:** Plumbing connections should be made by qualified personnel who will observe all applicable plumbing, sanitary and safety codes.

**SPECIFICATIONS**

Water Inlet	1/2" NPT
Temp. Range	40°F - 180°F
Rough In	7/8" Round Holes on 4" Center
Flow Rate	1.8 GPM
Material	Chrome Plated Brass
Weight	3 lbs.



**Krowne Metal Corporation** • 100 Haul Rd. Wayne, NJ 07470 • Toll Free: (800) 631-0442 • Fax: (973) 872-1129 • sales@krowne.com • krowne.com

Due to our commitment to continued product improvement, specifications are subject to change without notice.

Rev. 1/2020 • No. 11-406L