



Model: **12-818L** Item #: _____ Date: _____
Project: _____ Qty: _____ Approved By: _____

8" Center Wall Mount Faucet

SILVER SERIES PLUMBING



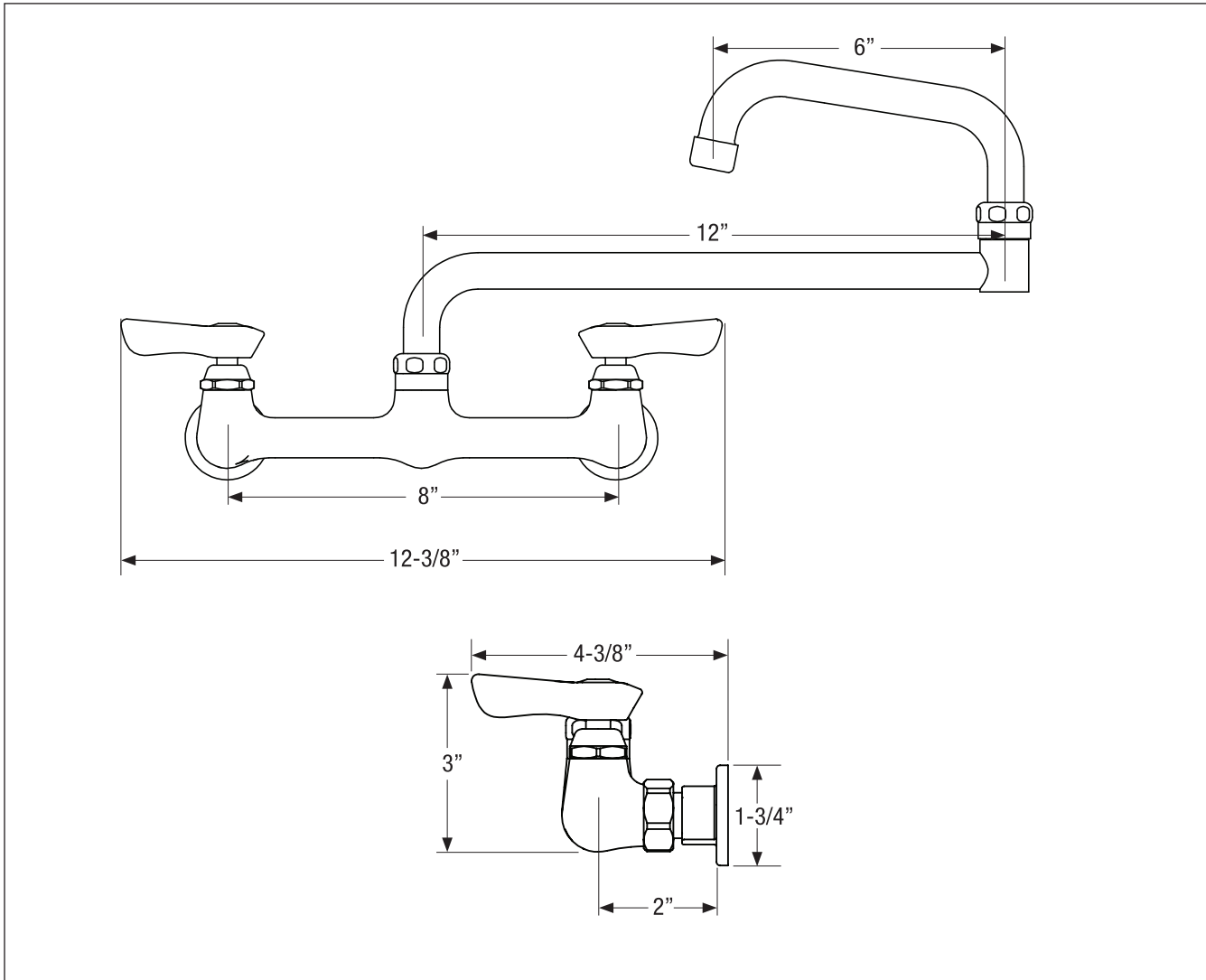
Standard Features

- 8" Center
- 18" Jointed Spout
- 1/2" NPT Female Inlets
- 1.8 GPM aerator
- Lead free compliance
- NSF approved



Certified to
NSF/ANSI 61-G

Specifications



Krowne Metal Corporation • 100 Haul Rd. Wayne, NJ 07470 • Toll Free: (800) 631-0442 • Fax: (973) 872-1129 • sales@krowne.com • krowne.com

Due to our commitment to continued product improvement, specifications are subject to change without notice.

Rev. 5/2018 • No. 12-818L