



Model: 14-550L Item #: _____ Date: _____
 Project: _____ Qty: _____ Approved By: _____

Single Handle Lavatory Faucet

Royal Series Plumbing



Description

- Single Hole Single Handle Faucet, Polished Chrome Finish, 1.2 GPM Aerator Installed

Standard Features

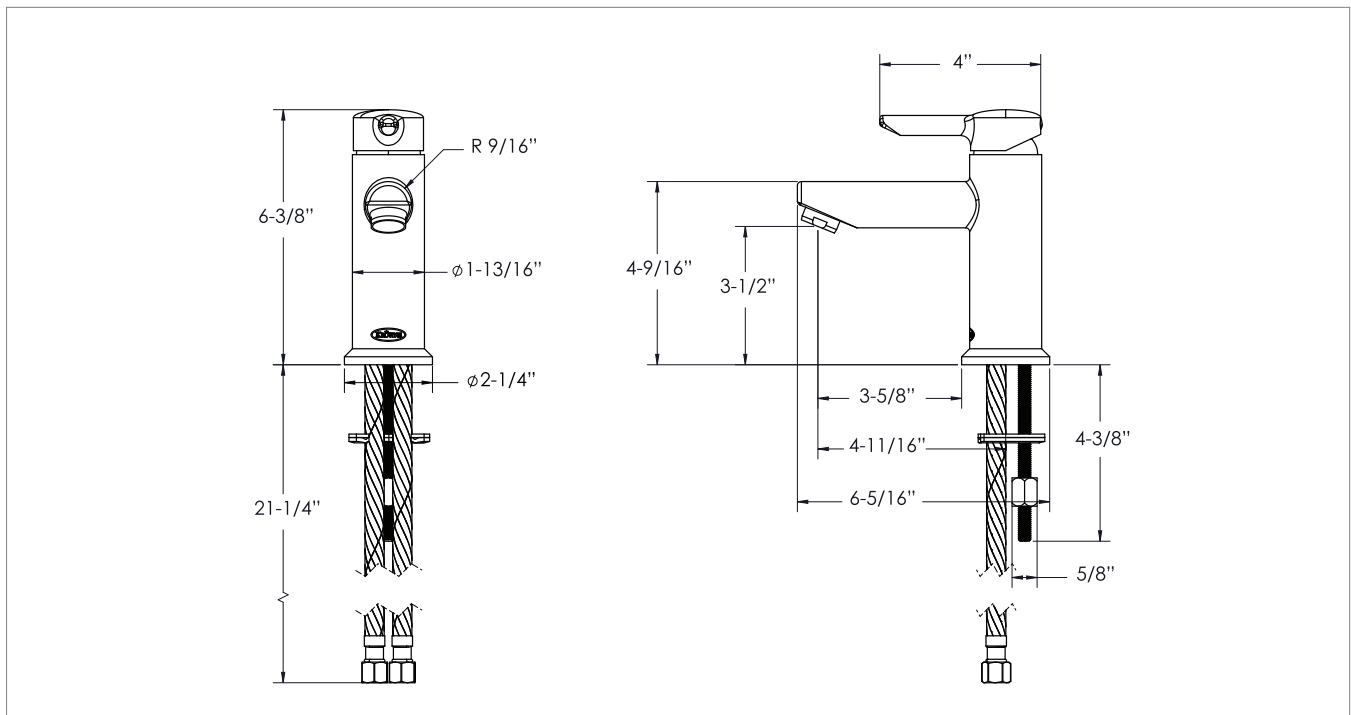
- Ceramic cartridge valve with metal stem
- Single lever handle
- Warranty: 1 Year

Specifications

Water Inlet	Pre-Installed 3/8" Water Lines
Temp. Range	40°F - 180°F
Rough In	1-1/4" Single Hole
Flow Rate	1.2 GPM
Material	Chrome Polished Stainless Steel
Weight	2 lbs.

Product Compliance

- ASME A112.18.1-2012/CSA B125.1-12
- NSF-61
- NSF/ANSI 372
- Meets ANSI A117.1 (ADA)
- CEC Listed
- Massachusetts Approved



WARNING: Plumbing connections should be made by qualified personnel who will observe all applicable plumbing, sanitary and safety codes.

WARNING: This product can expose you to chemicals including lead and lead compounds, which are known to the State of California to cause cancer and birth defects or other reproductive harm. For more information go to www.P65Warnings.ca.gov.

Krowne Metal Corporation • 100 Haul Rd. Wayne, NJ 07470 • P: (800) 631-0442 • customerservice@krowne.com • krowne.com

Due to our commitment to continued product improvement, specifications are subject to change without notice.

Rev. 12/2021 • No. 14-550L