



Model: 16-127 Item #: _____ Date: _____
 Project: _____ Qty: _____ Approved By: _____

8" Center Wall Mount Service Sink Faucet

Royal Series Plumbing



Standard Features

- High performance 1/4 turn ceramic cartridge valves with integral check
- Heavy duty flanges with eccentric fittings for quick installation
- Built-in vacuum breaker
- 6-1/2" heavy cast spout with pail hook and 3/4" hose thread
- Wall bracket for spout support included
- Lever handles with hot and cold indicators
- Full replacement parts available
- 3 year warranty

Model	Description
16-127	Royal Series Service Sink Faucet with Cast Spout

Replacement Parts

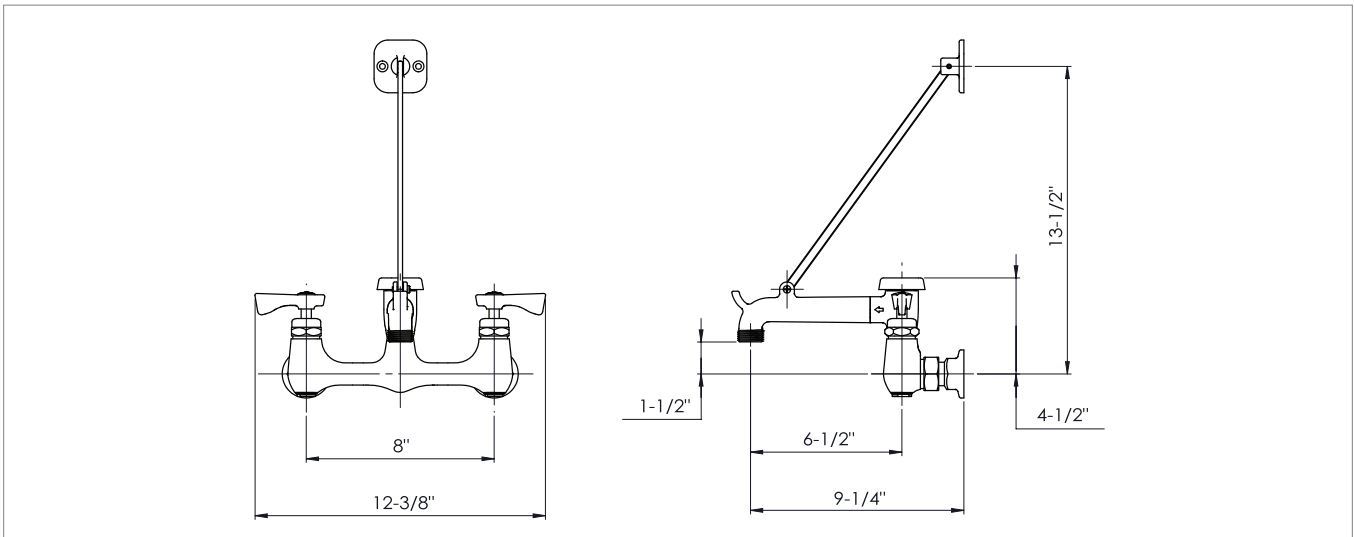
Model	Description
16-129	Vacuum Breaker Repair Kit
21-308L	Cold 1/4 Turn Ceramic Cartridge Valve
21-309L	Hot 1/4 Turn Ceramic Cartridge Valve

Specifications

Water Inlet	1/2" NPT Female
Mounting Style	Wall Mount
Centers	8" Center
Rough In	Two 7/8" round holes
Spout	6-1/2"L with pail hook & 3/4" hose thread
Temp. Range	40° - 180°F
Flow Rate	2 GPM max
Material	Solid Brass
Finish	Rough Chrome Finish
Weight	13 lbs.

Product Compliance

- ASME A112.18.1-2012/CSA B125.1-12 & CSA B64.1.1-11



WARNING:

Plumbing connections should be made by qualified personnel who will observe all applicable plumbing, sanitary and safety codes.

California Prop 65 Warning:

This product can expose you to chemicals including lead and lead compounds, which are known to the State of California to cause cancer and birth defects or other reproductive harm. For more information go to www.P65Warnings.ca.gov.