



Model: 22-851 Item #: \_\_\_\_\_ Date: \_\_\_\_\_  
 Project: \_\_\_\_\_ Qty: \_\_\_\_\_ Approved By: \_\_\_\_\_

## Ball Valve Twist Drain with Short Handle, Stainless Steel

Diamond Series Plumbing



### Standard Features

- Fits 3-1/2" sink opening
- 1-1/4" overflow outlet with cap
- Short handle
- Stainless steel body
- Premium stainless steel ball valve engineered for long-lasting performance
- Elimination of traditional rubber gasket to prevent leaks and withstand harsh conditions or chemicals
- Smooth 1/4 turn action for ease-of-use
- Overall lower maintenance costs due to ball valve design
- Approximately 2-3 times the drain rate of a conventional lever waste drain
- Includes vandal resistant screw for strainer

Model	Description
22-851	Ball Valve Twist Drain with Short Handle, Stainless Steel

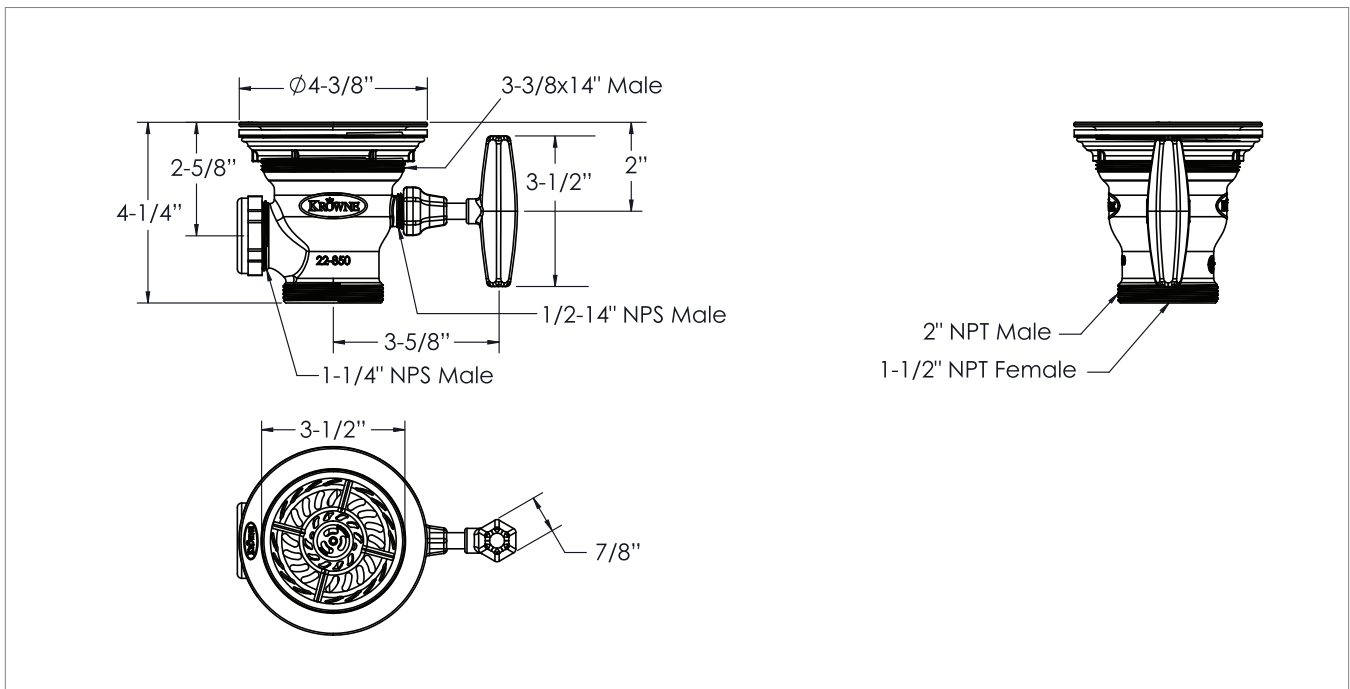
### Product Compliance

- NSF-61 & NSF/ANSI 372
- ASME A112.18.1-2012/CSA B125.1-11 & NSF/ANSI 372



### Specifications

Outer Threads	2" NPT male
Inner Threads	1-1/2" NPT female
Overflow	1-1/4" overflow outlet
Size	Fits 3-1/2" sink opening
Material	Stainless steel
Weight	5 lbs.



#### WARNING:

Plumbing connections should be made by qualified personnel who will observe all applicable plumbing, sanitary and safety codes.

#### California Prop 65 Warning:

This product can expose you to chemicals including lead and lead compounds, which are known to the State of California to cause cancer and birth defects or other reproductive harm. For more information go to [www.P65Warnings.ca.gov](http://www.P65Warnings.ca.gov).