



Model:     GWR-24     Item #:                      Date:                       
 Project:                                      Qty:                      Approved By:                                     

# Rotary Glasswasher

# Glasswashing



GWR-24 shown



## STANDARD FEATURES

- Low Temperature
- Type 304 Stainless Steel construction, tank is 316 stainless steel
- Free 1 Year Warranty if Glass Washing Dump Sink is purchased and placed next to Glasswasher in Bar Line-Up -5°F to 10°F temperature range
- 26-1/4" Front to Back depth, 39" Height
- 12" glass clearance accepts taller stemware
- Internal upper drain screen for improved filtration and ease of cleaning
- Self flushing wash chamber reduces maintenance
- Reduced water usage
- 208-230 V connection
- Three-pump injection system for precise chemical dispensing
- Upper and lower wash and rinse arms produce sparkling clean glasses
- Double walled construction for quieter operation
- Cool final rinse water provides a cool glass ready for immediate use
- Cabinet below holds the 3 chemicals required each in 1 gallon containers
- Polypropylene conveyor virtually eliminates chipping of fine stemware
- 3 minute cycle time
- 1200 glasses per hour (2-1/2" glasses)

## SPECIFICATIONS

<b>Capacity (per hr)</b>	2-1/2" Glasses	1200
<b>Water Consumption</b>	Cold Water (approx)	2.5 GPM
	Hot Water (initial fill)	3 gallons
	Max Use (approx)	12 gallons
<b>Temperatures</b>	Inlet Water (hot)	140 -160°F
	Inlet Water (cold)	75°F
<b>Heating</b>	Tank Heat, electric (kW)	3 kW
<b>Conveyor Movement</b>		Clockwise

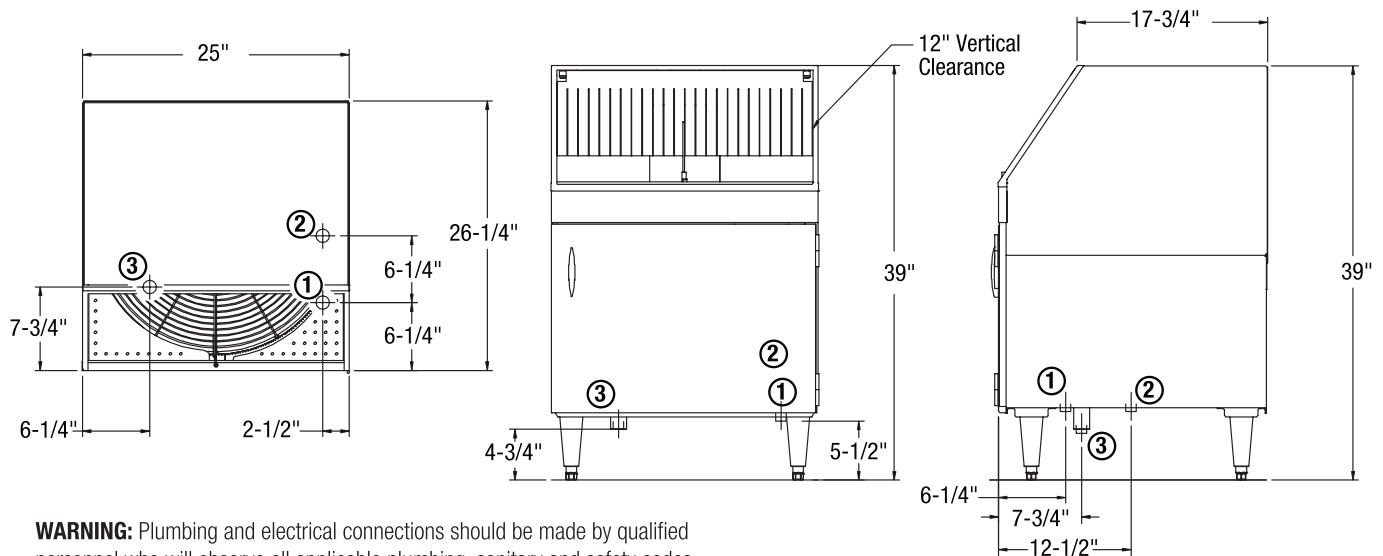
Note: Unit is supplied with 6 ft. plug-in cord. (NEMA 6-15P)

## OPTIONAL ACCESSORIES

<b>28-111S</b>	3-1/2" x 3-1/2" Plate Caster with 5" Wheels
----------------	---

## UTILITIES

<b>Electrical</b>	208-230VAC/50-60/1, 15 amp
<b>① Hot Water Connection</b>	1/2" IPS. Flow pressure 25 - 95 PSI
<b>② Cold Water Connection</b>	1/2" IPS. Flow pressure 25 - 95 PSI
<b>③ Drain Connection</b>	1-1/2" tailpiece. Connect to drain size according to local plumbing code.



**WARNING:** Plumbing and electrical connections should be made by qualified personnel who will observe all applicable plumbing, sanitary and safety codes.