



Model: _____ Item #: _____ Date: _____

Project: _____ Qty: _____ Approved By: _____

Royal Series 12”L One-Compartment Bar Sinks

Royal Series Underbar



Specifications

Sink Bowl	<ul style="list-style-type: none"> 20 gauge stainless steel 10" x 14" x 10" deep 1-1/2" IPS drain and 7-1/2" overflow pipe
Drain	<ul style="list-style-type: none"> 1-1/2" drain (model 23-122)
Faucet	<ul style="list-style-type: none"> Royal Series 4" center wall mount Faucet
Plumbing	<ul style="list-style-type: none"> Hot/Cold Water: 1/2" IPS Drain: 1-1/2" IPS
Legs	<ul style="list-style-type: none"> 1-5/8" tubular 16 gauge stainless steel with grey plastic bullet foot
Front Apron	<ul style="list-style-type: none"> 20 gauge stainless steel clad over 20 gauge galvanized steel
Sides	<ul style="list-style-type: none"> 20 gauge stainless steel
Backsplash	<ul style="list-style-type: none"> 20 gauge stainless steel
Back & Bottom	<ul style="list-style-type: none"> 20 gauge galvanized steel

Product Compliance

- NSF/ANSI 2
- ASME A112.19.3/CSA B45.4

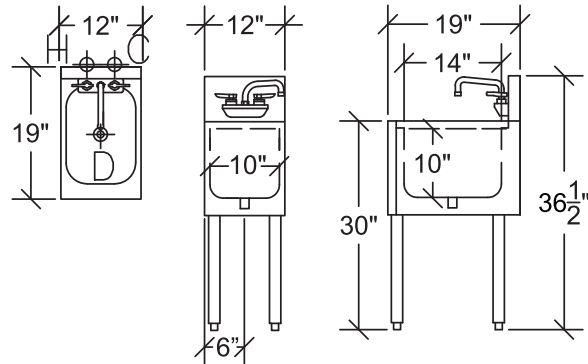


Optional Accessories

Model	Description
KR-303	Left & Right End Side Splashes for KR19
KR-310	Right End Splash for KR19
KR-311	Left End Splash for KR19
KR-313	Left & Right End Side Splashes for KR24
KR-314	Right End Splash for KR24
KR-315	Left End Splash for KR24
KR-401	Cap Catcher and Opener
KR-501	Towel Ring
KR-806	Upgrade: 6" Longer Stainless Steel Legs
30-152	10" x 14" Stainless Steel Sink Strainer
RS-12	12"L Single Tier Speed Rail
RD-12	12"L Double Tier Speed Rail

WARNING: Plumbing connections should be made by qualified personnel who will observe all applicable plumbing, sanitary and safety codes.

Model	Length	Depth	Height	Working Height	Wgt.
KR19-1C	12"	19"	36-1/2"	30"	40



Model	Length	Depth	Height	Working Height	Wgt.
KR24-1C	12"	24"	36-1/2"	30"	45

