



Model: \_\_\_\_\_ Item #: \_\_\_\_\_ Date: \_\_\_\_\_

Project: \_\_\_\_\_ Qty: \_\_\_\_\_ Approved By: \_\_\_\_\_

# Sinks with Soap & Towel Dispensers

Royal Series Underbar

## Specifications

- Sink Bowls**
  - 20 gauge stainless steel
  - Furnished with 1" IPS rear corner drain and 7-1/2" overflow pipe
- Plumbing**
  - Hot/Cold water: 1/2" IPS
  - Drain: 1-1/2" IPS
- Faucet**
  - 4" Center wall mount Royal Series faucet with ceramic cartridge valves
- Soap & Towel Dispenser**
  - Built-in push-down soap dispenser and tri-fold paper towel dispenser

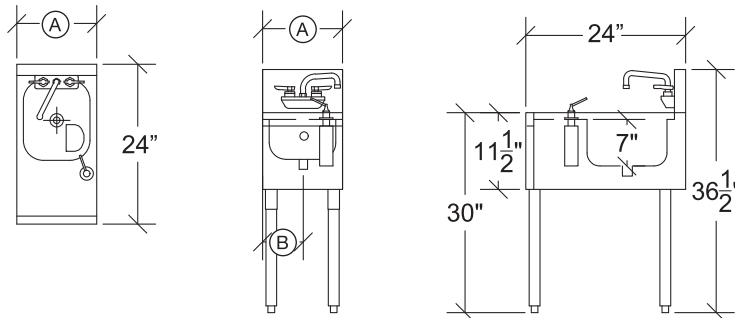
- Materials**
  - Front Apron: 20 gauge stainless steel clad over 20 gauge galvanized steel
  - Backsplash: 20 gauge stainless steel
  - Back & Bottom: 20 gauge galvanized steel
  - Sides: 20 gauge stainless steel
- Legs**
  - 1-5/8" tubular 16 gauge stainless steel legs with grey plastic bullet foot

**Note:** KR19-18WST is wall mounted. All other units are freestanding.



KR24-12ST-E

Model	Length (A)	Depth	Faucet	Sink Bowl Size	Left Side To Drain (B)	Weight (lbs.)
KR24-12ST	12"	24"	Manual Faucet	10" x 12" x 7"	6"	60 lbs.
KR24-12ST-E	12"	24"	Electronic Faucet	10" x 12" x 7"	6"	60 lbs.
KR24-18ST	18"	24"	Manual Faucet	10" x 14" x 7"	9"	65 lbs.
KR24-18ST-E	18"	24"	Electronic Faucet	10" x 14" x 7"	9"	65 lbs.



KR19-18ST-E

Model	Length (A)	Depth	Faucet	Sink Bowl Size	Left Side To Drain (B)	Weight (lbs.)
KR19-12ST-E	12"	19"	Manual Faucet	10" x 14" x 7"	6"	55 lbs.
KR19-18ST	18"	19"	Electronic Faucet	10" x 14" x 7"	9"	60 lbs.
KR19-18WST	18"	19"	Wall Mount with Manual Faucet	10" x 14" x 7"	9"	49 lbs.

