

FINISH:

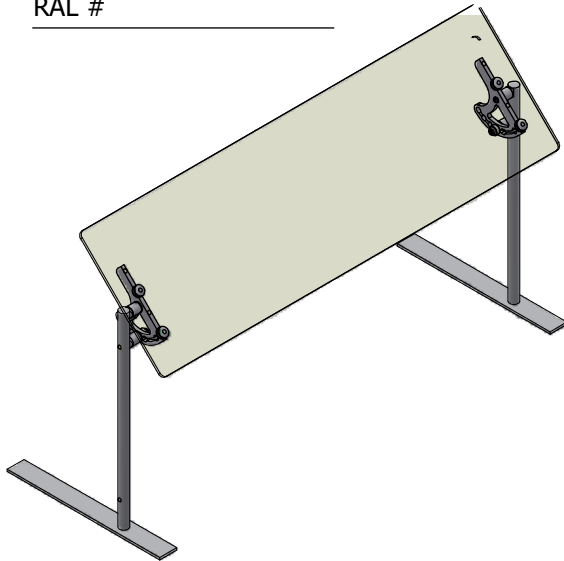
- Clear Anodized Aluminum
 Brushed Stainless Steel
 Powder Coat:
 Black Silver
 RAL # _____

GLASS (Clear Tempered):

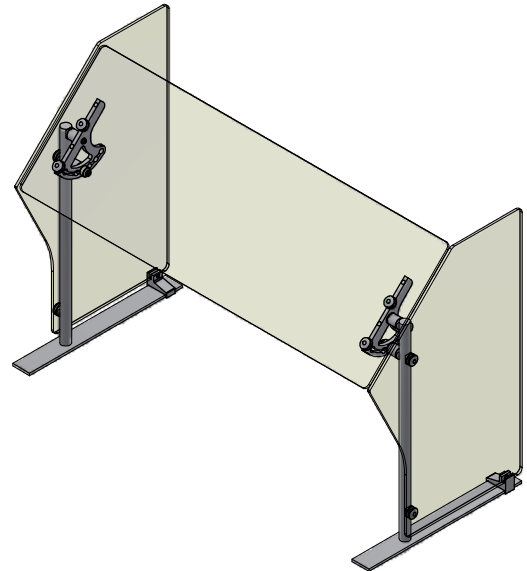
- 1/4" Front - Std
 3/8" Front
 Clear Tempered Glass with Ground &
 Polished Edges and Rounded Corners

OPTIONS:

- 1 End Panel
 2 End Panels



Basic Models Ship Without End Panels.
If End Panels are Required, Order the
Number of End Panel Kits Desired



End Panels are 1/4"
Clear Tempered Glass
Unless Otherwise Specified.

PART #	DESCRIPTION:
VG3-P-24	24" OA = 20" Clear = 23" Glass - 1/4" Thick
VG3-P-30	30" OA = 26" Clear = 29" Glass - 1/4" Thick
VG3-P-36	36" OA = 32" Clear = 35" Glass - 1/4" Thick
VG3-P-42	42" OA = 38" Clear = 41" Glass - 1/4" Thick
VG3-P-48	48" OA = 44" Clear = 47" Glass - 1/4" Thick
VG3-P-54	54" OA = 50" Clear = 53" Glass - 3/8" Thick
VG3-P-60	60" OA = 54" Clear = 59" Glass - 3/8" Thick

**Max Recommended Length for any Glass Panel is 60"
(3/8" Glass)

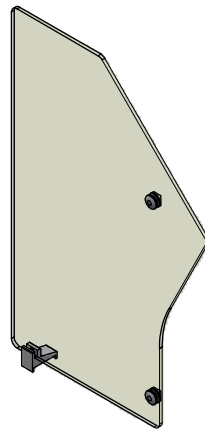
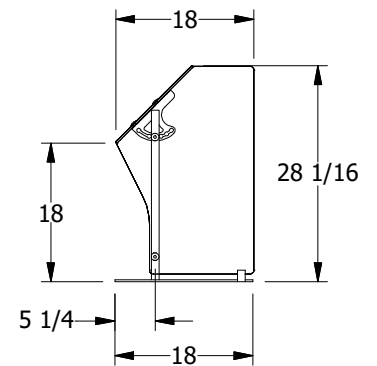
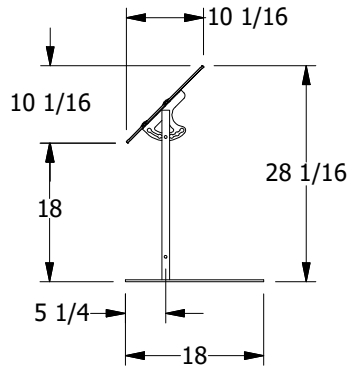
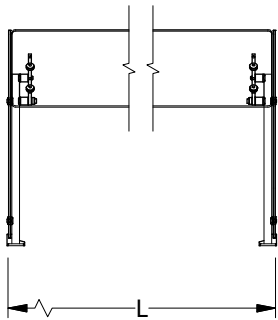
- End Panels are 1/4" Glass - Can be Added On-site
- Vertical Clearance Range is 15-5/8" to 22-5/8"
- Mounting Base is 2" Wide x 18" Deep
- 1"Ø CNC-Machined Solid Support Posts
- CNC-Machined Component Hardware

Protected by US Patent 7,040,723 Other Patents Pending

Portable Adjustable Self-Service Protector

VERSA-GARD[®]

-Overall Dimensions -
 L - 48" Max (1/4" Glass)
 - 60" Max (3/8" Glass)



End Panel Kit

GLASS ADJUSTMENT POSITIONS

