



## Mobile F&B Cart with Battery Option

Item # TRC4834



### Description:

Spring USA Mobile F&B Cart is the perfect induction mobile table for any food service environment. Easily transform any space into a buffet area with the optional Spring USA Battery that can power, and induction range, heat lamp, or warming trays.

### Construction & Performance Features:

Includes 300W exposed warming  
Induction range  
Optional Spring USA Volt Battery Pull-out  
leaves for additional display  
6 condiment wells (1/6 pan. Pan not  
included)  
19" Ice Pan  
Work space can extend from 71" to 101"

### Customization Available

- Choice of WilsonArt HPL \_\_\_\_\_ with  
AEON finish Exterior
- Choice of equipment (ice pans, ranges,  
ambient space, custom cut outs, etc)

### Full Table description:

- (1) SM-300CR drop in hold- range. Spaced to  
fit 2472-6/36
- 12" of free space in the center
- Grommet hole for heat lamp cords
- (1) ice pan approx. 12" x 20"  
toward the customer side- cut out to hold
- 6 1/6 size pans (by other) Cut out is approx. 6  
3/8" x 37 3/8"
- This cart uses the Spring Volt Battery sold  
separately
- Metal dessert rail on two short sides and  
customer side
- Casters
- STD Crate

## Mobile F&B Table

### Mobile F&B Cart Applications

- Outdoor Spaces
- Rooftops
- Patio
- Terrace
- Pool
- Mobile Buffets
- Flame-less Area- ideal for older facilities

### SM-300CR Induction Range

Low	Low-Med	Med-High	High
145-155°F	156-165°F	166-175°F	176-185°F
62-68°C	69-73°C	74-79°C	80-85°C

### Standard Warranty:

Spring USA Induction Ranges offer a one (1) year, overnight exchange warranty, from the date of invoice, against manufacturers defects. See SpringUSA.com for more details.

### Agency Listings:

- ETL (Induction Ranges)
- UL 197 (Induction Ranges)
- FCC (Induction Ranges)
- CETL (Induction Ranges)
- ETL-Sanitation to NSF-4 (Induction Ranges)
- UL 1363 (Power Outlet Strip)
- cUL (Power Outlet Strip)
- NSF (SmartStone®)



### Available Accessories:

- Induction-ready serving vessels [See Spring USA catalog]
- Padded, vinyl table cover [Contact Spring USA]
- Spring USA Volt Battery
- Warming Solutions [See Spring USA catalog]
- Spring USA Induction Range (SM-300CR)
- 120V Power Strip



### Electrical Requirements:

Spring USA offers a Power Outlet Strip, That can power any applications unit with a single receptacle, eliminating the need for multiple receptacles. The Power Outlet Strip includes six receptacles.

Below are the requirements of the Power Outlet Strip per the Mobile F&B Cart.

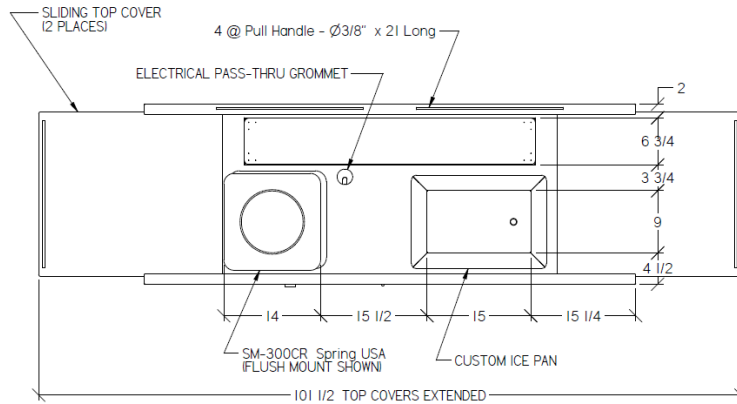
Voltage	Phase	Hz	kW	Amps	Plug
110-120	1	60	2.4	20	NEMA 5-20P

For requirements of the individual components (induction range) please see the corresponding specification sheet.

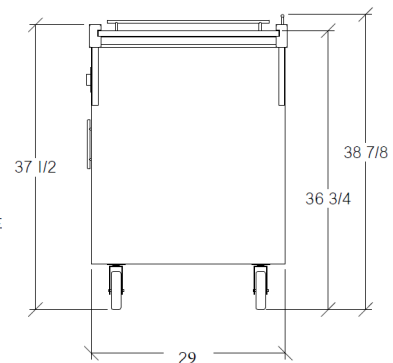
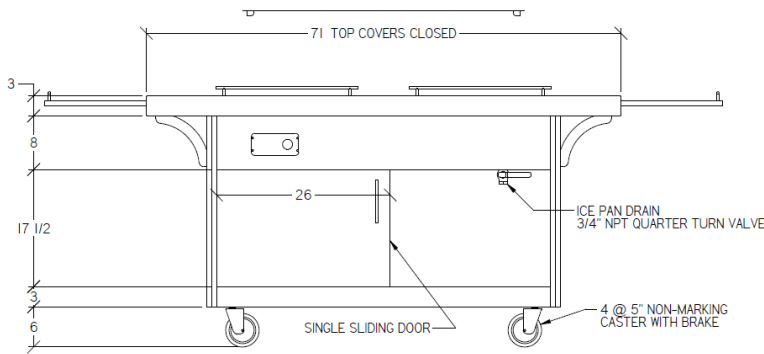
## Mobile F&B Cart

### Key Dimensions:

#### Top VIEW



#### Front View



Weight: 250 lb.

### Notes & Conditions:

1. Ensure that you have dedicated power wherever you are planning to use the Mobile F&B Cart. Refer to the manual for detailed instructions regarding operation.
2. Ensure the unit has proper ventilation at all times so it does not overheat.
3. Induction ranges require use of ferrous metal, induction-ready cookware.
4. Spring USA Induction Servers and Induction Warmers/Ranges are designed to work together as a system. Optimal performance is achieved by using Spring USA components in conjunction with each other. As the first to offer such induction systems, Spring USA cannot warranty the performance of facsimile products offered by other companies.
5. Refer to individual specification sheets for the induction ranges or the power outlet strip for detailed information.