



Model: _____ Item #: _____ Date: _____

Project: _____ Qty: _____ Approved By: _____

Glass and Liquor Back Bar Storage

Royal Series Underbar

Back Bar Glass Storage

- Designed for glass storage on the back bar wall
- Optional stainless steel top available
- 35"H without Top, 36"H with top
- 24" front to back depth (25" with stainless steel top)

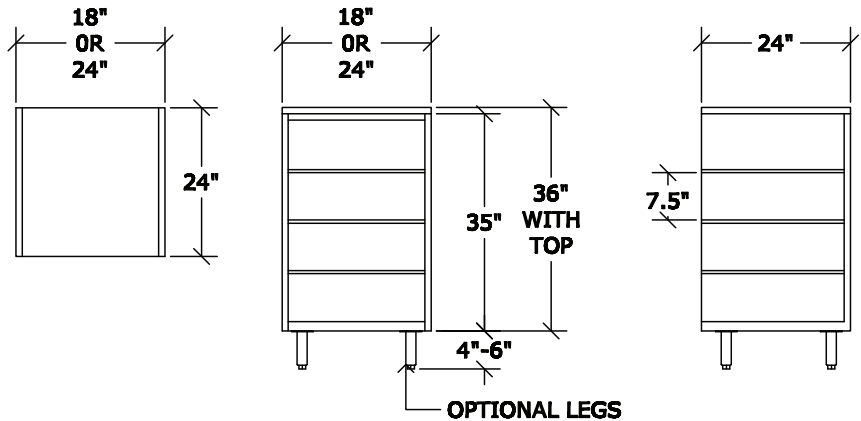


KR-G24 shown with optional 4" legs

Model	Length	Weight
KR-G18	18"	110 lbs.
KR-G24	24"	130 lbs.

Specifications

- Sides** ▪ 20 gauge stainless steel
- Back** ▪ 20 gauge galvanized steel
- Bottom** ▪ 18 gauge galvanized steel
- Interior** ▪ 20 gauge stainless steel
- 3 shelves with 7-1/2"H shelf openings



Back Bar Liquor Storage

- Designed for liquor storage on the back bar wall
- Optional stainless steel top available
- 35"H without Top, 36"H with top
- 24" front to back depth (25" with stainless steel top)

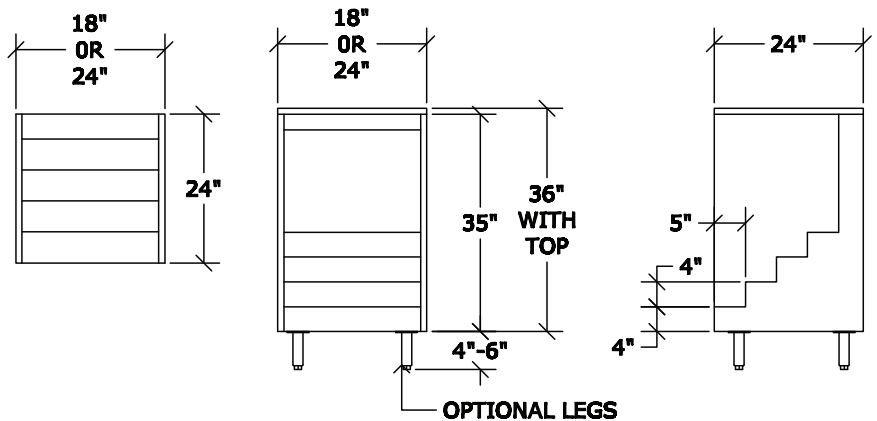


KR-L24 shown with optional 4" legs

Model	Length	Weight
KR-L18	18"	105 lbs.
KR-L24	24"	125 lbs.

Specifications

- Sides** ▪ 20 gauge stainless steel
- Back** ▪ 20 gauge galvanized steel
- Bottom** ▪ 18 gauge galvanized steel
- 20 gauge stainless steel
- Interior** ▪ 28-1/2"H x 16" or 22" front opening
- 4 steps



Note: Optional casters raise height 1" higher than wheel size
Note: Optional 4" or 6" legs available