



Model: _____ Item #: _____ Date: _____

Project: _____ Qty: _____ Approved By: _____

Pass Thru Workstations

Royal Series Underbar

- KRPT-42RP-10** shown with
- KR-142 Single Overshelf
 - KR-415 Bartender Floor Panel
 - KR-BR1 Bottle Wells
 - KR-322 Partial Cover



Specifications

Tray Shelf	▪ 22 gauge stainless steel with drain and perforated top
Dump Sink (Blender)	▪ 20 gauge stainless steel ▪ 10" x 14" x 7" Deep bowl ▪ 1-1/2" drain in center
Blender Shelf	▪ 22 gauge stainless steel
Interior (Ice Bin)	▪ 20 gauge stainless steel
Soda Gun Holder	▪ 18 gauge stainless steel
Panels	▪ Stainless steel side panels
Cold Plate (Ice Bin)	▪ Cast aluminum post mix plate with 10 circuits. Plate is sealed into bottom. Each circuit is 5/16" OD stainless steel tubing. Two full with remainder to be half circuits. Bump and wedge fittings on ends.
Front Aprons	▪ 20 gauge stainless steel clad over 20 gauge galvanized steel
Bottom	▪ 20 gauge stainless steel
Legs	▪ 1-5/8" tubular 16 gauge stainless steel with grey plastic bullet foot
Tubing Access	▪ 4" x 4" cutout with chase and gun holder
Electrical (Blender)	▪ Receptical box located underneath blender shelf
Insulation (Ice Bin)	▪ Foamed-in-place polyurethane
Plumbing	▪ Cold plate: 1/2" IPS drain connection ▪ Shelves: 1" IPS drain connection ▪ Sink bowls: 1-1/2" IPS drain connection
Faucet	▪ 4" center deck mount faucet with high performance ceramic cartridge valves

Standard Features

- Built-in 10-circuit cold plate
- Perforated stainless steel glass shelf with drain
- Built-in sound deadened double speed rail
- Built-in 10" or 16" blender shelf
- Two dump sinks with faucet & drains
- Chase on left or right for drain and soda lines
- Royal Series 4" center faucet
- Optional single or double overshelf with brackets
- 45" front to back depth
- Stainless steel end panels included

Optional Accessories

Model	Description
KR-136	34" Stainless Steel Single Overshelf
KR-236	34" Stainless Steel Double Overshelf
KR-142	40" Stainless Steel Single Overshelf
KR-242	40" Stainless Steel Double Overshelf
KR-154	52" Stainless Steel Single Overshelf
KR-254	52" Stainless Steel Double Overshelf
KR-160	58" Stainless Steel Single Overshelf
KR-260	58" Stainless Steel Double Overshelf
KR-110	Stainless Steel Splash for Dump Sinks
KR-112	Stainless Steel Divider (long way)
KR-322	24" Partial Sliding Cover (Using Bottle Wells)
KR-323	24" Full Sliding Cover (No Bottle Wells)
KR-325	18" Full Sliding Cover (No Bottle Wells)
KR-415	Stainless Steel Bartender Floor Panel
30-160	Universal Plastic Sink Strainer
KR-BR1	Bottle Wells for 24" Pass Thru

Product Compliance

- NSF-2
- ASME A112.19.3/CSA B45.4



WARNING:

Plumbing connections should be made by qualified personnel who will observe all applicable plumbing, sanitary and safety codes.

Mechanical Requirements:

- 1/2" IPS Hot and Cold Water
- 1" IPS drain connection without Cold Plate
- 1/2" IPS drain connection with Cold Plate
- 1-1/2" IPS drain connection on sink bowls

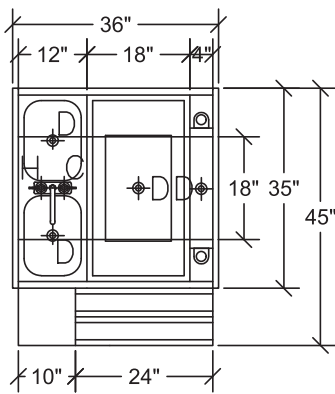


Model: _____ Item #: _____ Date: _____

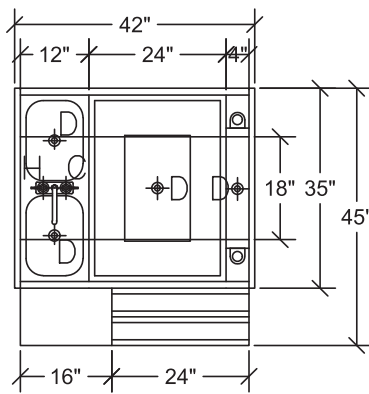
Project: _____ Qty: _____ Approved By: _____

Pass Thru Workstations

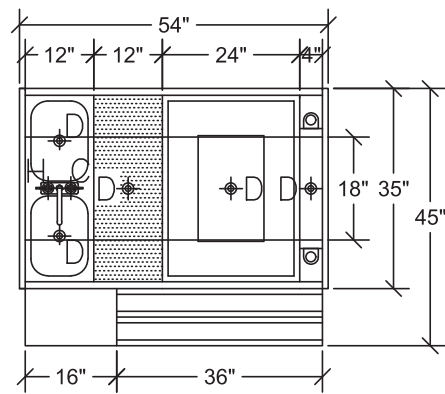
Royal Series Underbar



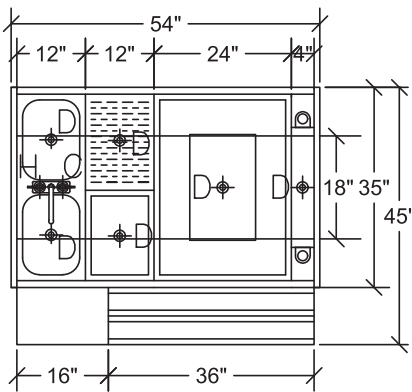
KRPT-36RP-10



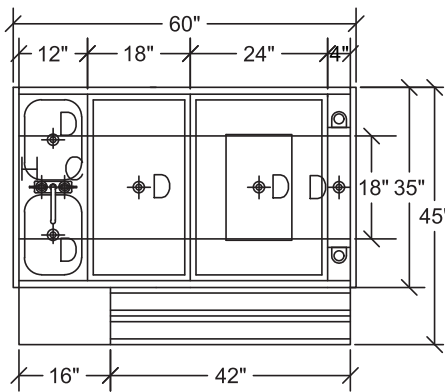
KRPT-42RP-10



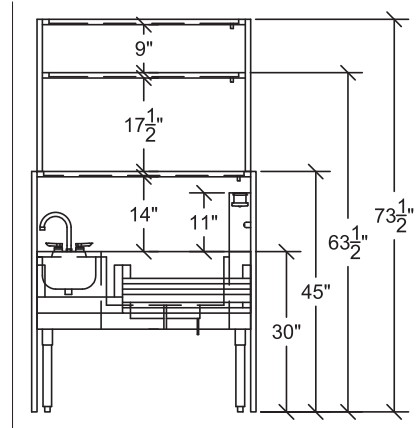
KRPT-54ARP-10



KRPT-54BRP-10



KRPT-60RP-10



Elevation view
with double overshelf

Pass Thru Units with Ice Bin on Right Side

Model	Length	Depth	Working Height	Ice Bin	Blender Shelf	Double Speedrail	Drainboard	Weight (lbs.)
KRPT-36RP-10	36"	45"	30"	18" x 30-1/2"	10"	24"	-	400
KRPT-42RP-10	42"	45"	30"	24" x 30-1/2"	16"	24"	-	444
KRPT-54ARP-10	54"	45"	30"	24" x 30-1/2"	16"	36"	12"	503
KRPT-54BRP-10	54"	45"	30"	24" x 30-1/2"	16"	36"	12"	524
KRPT-60RP-10	60"	45"	30"	24" x 30-1/2"	16"	42"	-	580

Mechanical Requirements:

- 1/2" IPS Hot and Cold Water
- 1" IPS drain connection without Cold Plate
- 1/2" IPS drain connection with Cold Plate
- 1-1/2" IPS drain connection on sink bowls



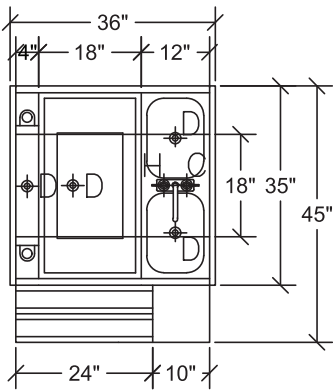


Model: _____ Item #: _____ Date: _____

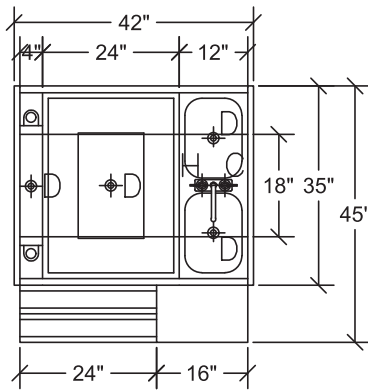
Project: _____ Qty: _____ Approved By: _____

Pass Thru Workstations

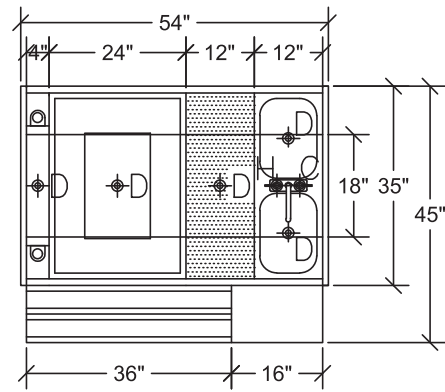
Royal Series Underbar



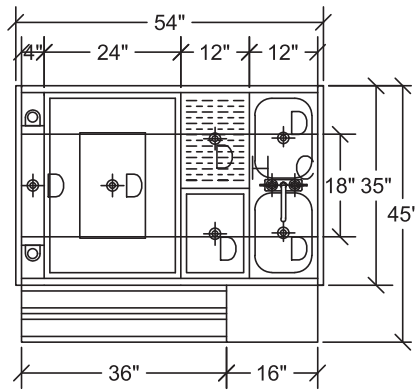
KRPT-36LP-10



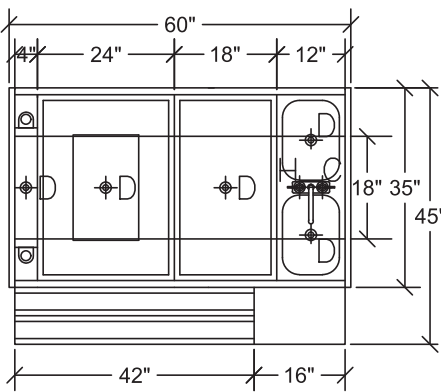
KRPT-42LP-10



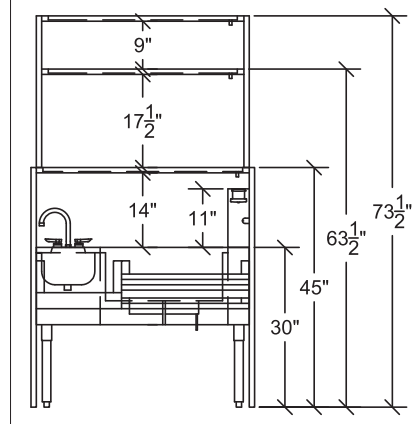
KRPT-54ALP-10



KRPT-54BLP-10



KRPT-60LP-10



Elevation view with double overshelf

Pass Thru Units with Ice Bin on Left Side

Model	Length	Depth	Working Height	Ice Bin	Blender Shelf	Double Speedrail	Drainboard	Weight (lbs.)
KRPT-36LP-10	36"	45"	30"	18" x 30-1/2"	10"	24"	-	400
KRPT-42LP-10	42"	45"	30"	24" x 30-1/2"	16"	24"	-	444
KRPT-54ALP-10	54"	45"	30"	24" x 30-1/2"	16"	36"	12"	503
KRPT-54BLP-10	54"	45"	30"	24" x 30-1/2"	16"	36"	12"	524
KRPT-60LP-10	60"	45"	30"	24" x 30-1/2"	16"	42"	-	580

Mechanical Requirements:

- 1/2" IPS Hot and Cold Water
- 1" IPS drain connection without Cold Plate
- 1/2" IPS drain connection with Cold Plate
- 1-1/2" IPS drain connection on sink bowls

