



Model: _____ Item #: _____ Date: _____

Project: _____ Qty: _____ Approved By: _____

Drop-In Liquid CO2 Glass Froster

Royal Series Underbar



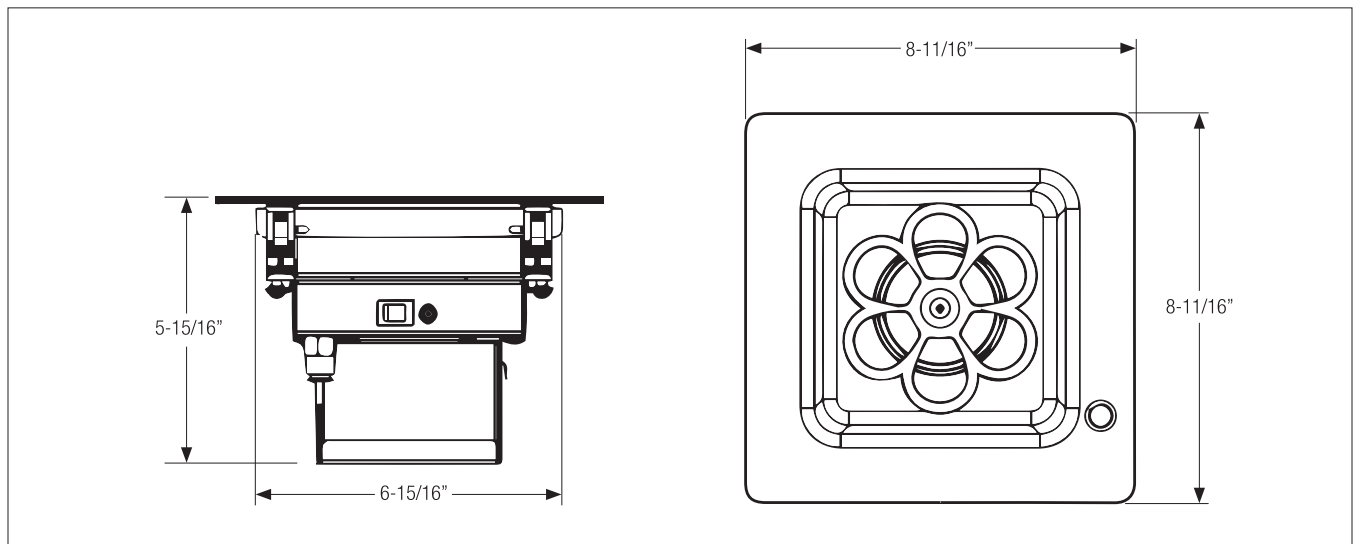
Standard Features

- Built-in LED light that activates when froster is used
- Includes worktop mounting kit
- Includes 100/240 V AC plug
- High quality, stainless steel construction
- CO2 tank not included (20 lb. aluminum tank with siphon tube recommended)

Specifications

Outside Dimensions	▪ 8-11/16" x 8-11/16"
Opening Size	▪ 7-11/16" x 7-11/16"
Overall Depth	▪ 7-7/8" with battery
	▪ 5-1/8" without battery
Unit Weight	▪ 9.9 lbs. with battery (excludes CO2 cylinder)
	▪ 6.6 lbs. w/o battery (excludes CO2 cylinder)
Gas Refrigerant	▪ CO2 (food grade) carbon dioxide
Cylinder Type	▪ CO2 cylinder with siphon tube (not included)
CO2 Line Length	▪ Model KR-LC2GF - 10 ft.
	▪ Model KR-LC2GF-E - 40 ft.
Power Supply	▪ 100/240V AC plug included
	▪ 14V 4A output
	▪ Rechargeable 12V battery (not included)
Power Input	▪ 100 - 240V AC
Frequency	▪ 50 - 60 Hz
Max Power Capacity	▪ 50W

Model	Description	CO2 Line Length
KR-LC2GF	Glass Froster	10'
KR-LC2GF-E	Glass Froster Drop-In with Extended Line	40'



⚠ Warning: This product can expose you to chemicals including lead and lead compounds which are known to the State of California to cause cancer and birth defects or other reproductive harm. For more information go to www.P65Warnings.ca.gov.

