



Model: _____ Item #: _____ Date: _____

Project: _____ Qty: _____ Approved By: _____

Zero-Step Workstations

Refrigeration



KR24-MX68A-10

Standard Features

- Removable Garnish Station with integrated cover & pint cups
- Insulated Elixir section with stainless steel dividers & perforated bottom for ice separation
- Ice Bin dividers which allow for storage of different types of ice
- 5-Tier Liquor Display maximizes storage capacity
- Dump sink on all models
- Speedrail included
- Tool well with dipperwell faucet
- High performance speed rinser
- 24" front to back depth
- Ships in sections up to 7 ft.
- Available on stainless legs or modular bar die
- Built-in options available with Modular Bar Die: Junction box for outlets & LED lights

Models Without Cold Plates		Cold Plate Models										
Model (No Cold Plate)	Weight	Model With Cold Plate	Weight	Overall Length	Depth	Ice Bin Size	Ice Capacity	Garnish Cups	Elixir Bottles	Liquor Bottles	Ice Bin Dividers	Cold Plate
KR24-MX54	246	KR24-MX54-7	281	54"	24"	18"	69	5	10	17	0	7-Circuit
KR24-MX60	252	KR24-MX60-10	347	60"	24"	24"	92	6	10	19	1	10-Circuit
KR24-MX68A	239	KR24-MX68A-10	239	68"	24"	30"	115	8	15	26	2	10-Circuit
		KR24-MX68B-10	321	68"	24"	30"	115	8	10	26	2	10-Circuit
KR24-MX70	267	KR24-MX70-10	362	70"	24"	30"	115	8	10	27	2	10-Circuit
KR24-MX84	286	KR24-MX84-10	375	84"	24"	30"	115	6	15	30	2	10-Circuit

Note: Models with Cold Plates have the exact same dimensions as models without cold plates.

Specifications

Materials

- Interior, Front Apron & Backsplash: 20 gauge stainless steel
- Back & Bottom: 20 gauge galvanized steel
- Legs: 18 gauge stainless steel

Drains

- 1-1/2" IPS Drain, Sink bowl
- 1/2" NPS Drain, Dipperwell
- 1" NPS Drain, Elixir section
- 1" IPS Drain, Ice bin
- 1/2" IPS Drain, Ice bin with Cold Plate. 4" PVC tailpiece provided. PVC tailpiece required to avoid condensation through metal to metal contact.

Cold Plate

- Cast aluminum post mix plate with 7 or 10 circuits depending on model. Plate is sealed into bottom. Each circuit is 5/16" OD stainless steel tubing. Two full with remainder to be half circuits. Bump and swedge fittings on ends.

Backsplash

- 6-1/2"H x 1-1/2"D

Faucet

- 4" Center wall mount Royal Series faucet
- 1/4" turn ceramic cartridge valves
- 1/2" IPS Hot & Cold water

Dipperwell Faucet

- 1/2" IPS Cold

Cutting Board

- Non-slip flush mounted cutting board
- 11-1/2"W x 10"L

Speed Rinser

- 1/2" IPS Cold

Legs

- 1-5/8" tubular legs w/ grey plastic bullet foot

Sink Bowl

- 10"W x 12"L x 7"D

Cold Plate units supplied with 1/2" x 4" PVC tailpiece. 1/2"- 20 male threaded

Model KR-CPN4





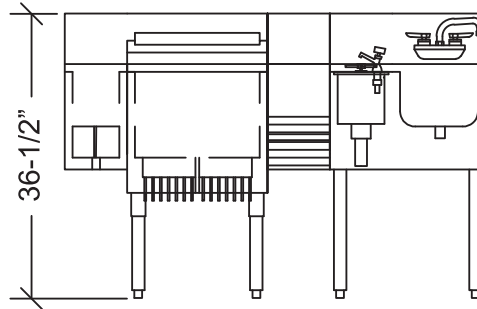
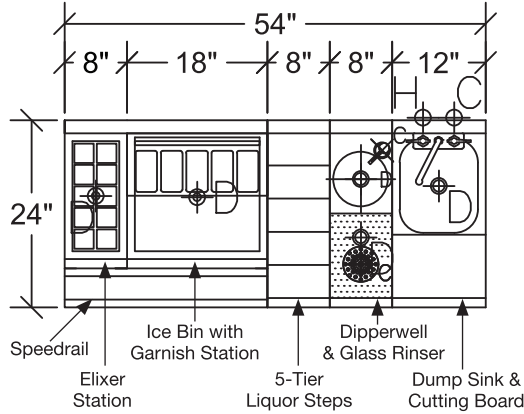
Model: _____ Item #: _____ Date: _____

Project: _____ Qty: _____ Approved By: _____

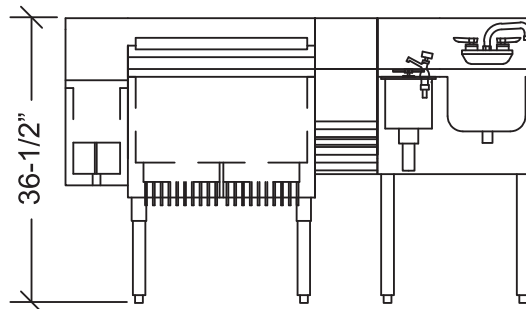
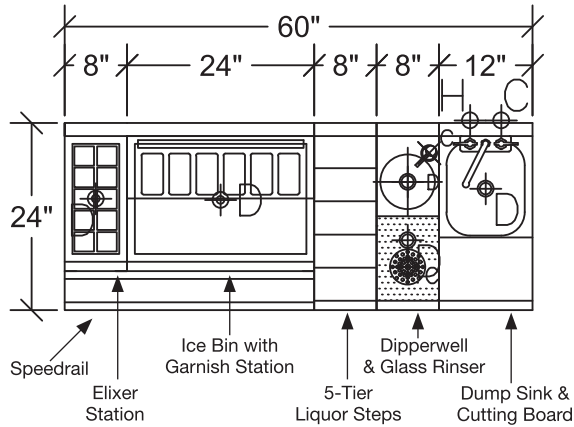
Zero-Step Workstations

Refrigeration

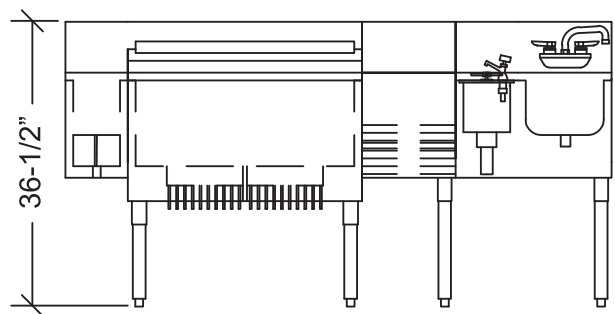
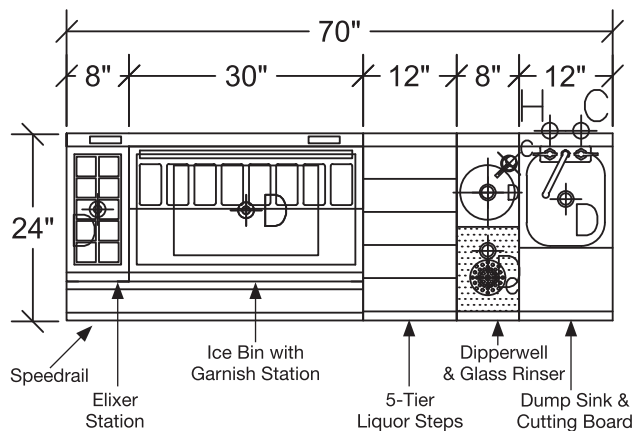
KR24-MX54 or KR24-MX54-7



KR24-MX60 or KR24-MX60-10



KR24-MX70 or KR24-MX70-10





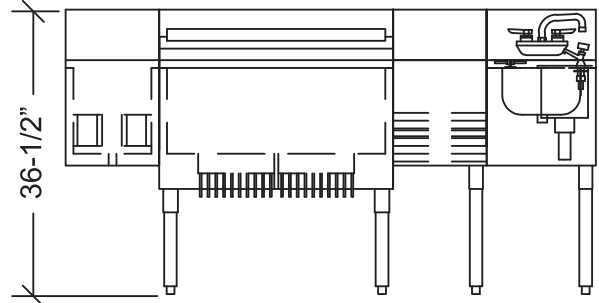
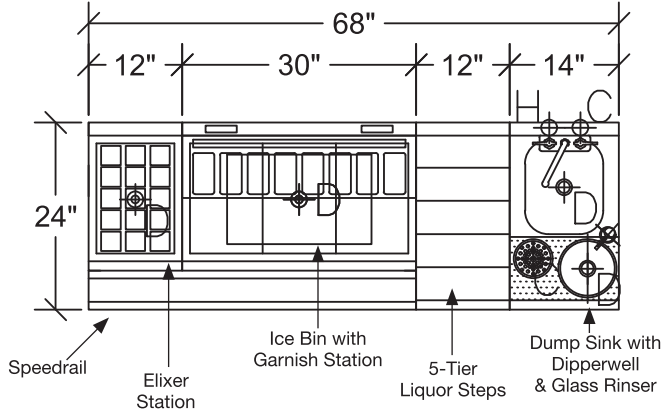
Model: _____ Item #: _____ Date: _____

Project: _____ Qty: _____ Approved By: _____

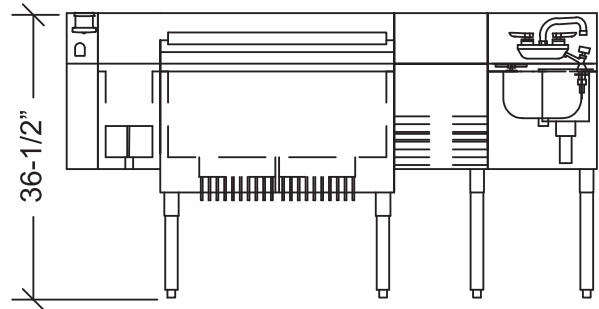
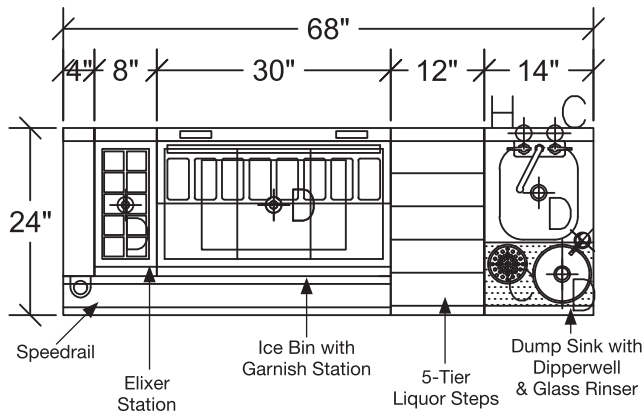
Zero-Step Workstations

Refrigeration

KR24-MX68A or KR24-MX68A-10



KR24-MX68B-10



KR24-MX84 or KR24-MX84-10

