



Model: _____ Item #: _____ Date: _____

Project: _____ Qty: _____ Approved By: _____

Table Top Liquid CO2 Glass Froster

Royal Series Underbar



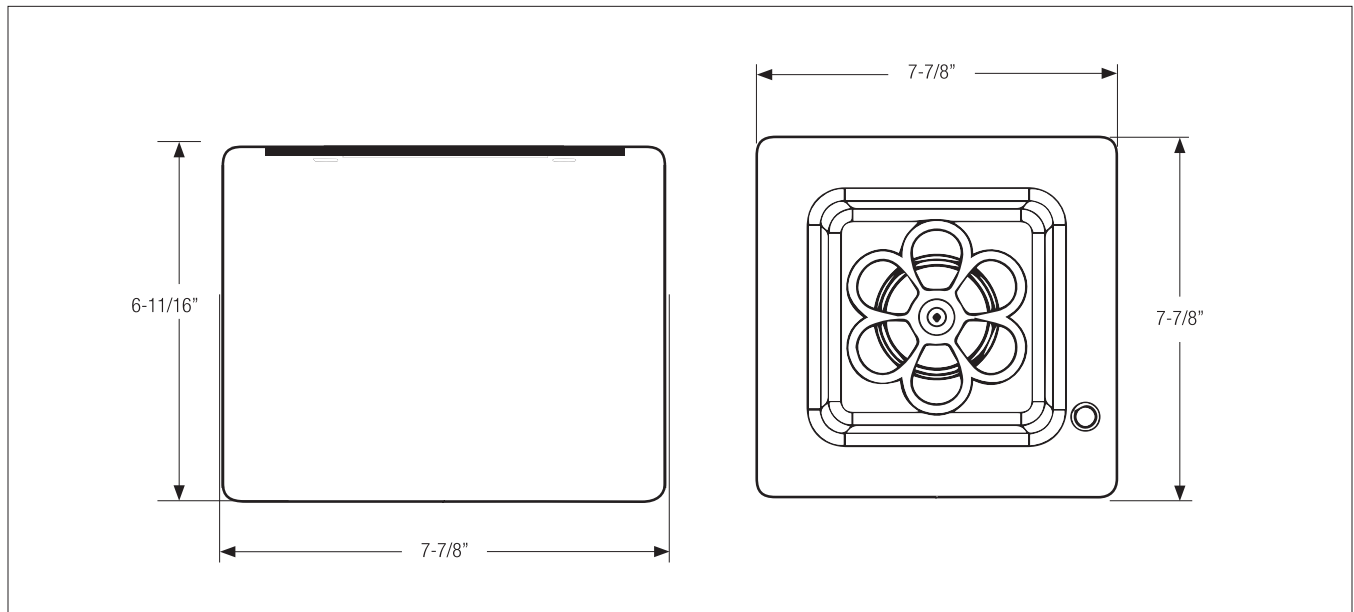
Standard Features

- Built-in LED light that activates when froster is used
- Includes worktop mounting kit, rechargeable 12V battery and 100/240V AC plug
- High quality, stainless steel construction
- CO2 tank not included (20 lb. aluminum tank with siphon tube recommended)

Specifications

Dimensions	▪ 7-7/8" x 7-7/8" x 6-11/16"
Unit Weight	▪ 12.8 lbs. with battery (excludes CO2 cylinder) ▪ 9.5 lbs. w/o battery (excludes CO2 cylinder)
Gas Refrigerant	▪ CO2 (food grade) carbon dioxide
Cylinder Type	▪ CO2 cylinder with siphon tube (not included)
CO2 Line Length	▪ Model KR-LC2GF-TT - 10 ft. ▪ Model KR-LC2GF-TT-W - 10 ft. ▪ Model KR-LC2GF-TT-E - 40 ft.
Power Supply	▪ 14V 4A or 13.8 3.5A is recommended ▪ Rechargeable 12V battery - 100/240V AC plug
Power Input	▪ 100 - 240V AC
Frequency	▪ 50 - 60 Hz

Model	Description	CO2 Line Length
KR-LC2GF-TT	Glass Froster Table Top	10'
KR-LC2GF-TT-E	Glass Froster Table Top with Extended Line	40'
KR-LC2GF-TT-W	Glass Froster Table Top with Wood Finish	10'



⚠ Warning: This product can expose you to chemicals including lead and lead compounds which are known to the State of California to cause cancer and birth defects or other reproductive harm. For more information go to www.P65Warnings.ca.gov.

