



Model: _____ Item #: _____ Date: _____

Project: _____ Qty: _____ Approved By: _____

Slide Top Mug Frosters

Refrigeration



MC48B

Standard Features

- 34" High x 24" Front to Back Depth
- Two layers of shelving
- Coved corner stainless steel interior
- Automatic defrost timer with push button manual mode
- Digital thermostat
- R290 Hydrocarbon Refrigerant
- Eco-friendly refrigerant and insulation
- Rugged grab bar handle
- Pre-drilled bottom for optional casters (uses 1/4-20 self tapping 1/2"L screw)
- 5-Year Compressor Warranty
- 1-Year Parts & Labor Warranty

Models

Model	Length	Height	Depth	Exterior Finish	Doors	Shelf Layers	Mug Capacity (10 oz.)	Weight	Amps	HP
MC24B	24"	34"	24"	Black Vinyl	1	2	95	160 lbs.	2.5	1/3
MC36B	36"	34"	24"	Black Vinyl	1	2	165	200 lbs.	2.6	1/3
MC48B	48"	34"	24"	Black Vinyl	2	2	240	260 lbs.	2.7	1/3
MC24S	24"	34"	24"	Stainless Steel	1	2	95	160 lbs.	2.5	1/3
MC36S	36"	34"	24"	Stainless Steel	1	2	165	200 lbs.	2.6	1/3
MC48S	48"	34"	24"	Stainless Steel	2	2	240	260 lbs.	2.7	1/3

Optional Accessories

Model	Description
BS-100	6" Stainless Steel Legs (Set of 4)
BS-102	4" Stainless Steel Legs (Set of 4)
BS-106	Left Side Kick Plate
BS-107	Right Side Kick Plate
BS-124	24" Front Kick Plate
BC-130	2" Overall Casters (1" Wheels, Set of 4)
BC-132	3" Overall Casters (2" Wheels, Set of 4)
BC-134	4" Overall Casters (3" Wheels, Set of 4)
BC-136	5" Overall Casters (4" Wheels, Set of 4)
BC-138	6" Overall Casters (5" Wheels, Set of 4)

Specifications

Electrical	<ul style="list-style-type: none"> ▪ 115 V, 1 Phase, 60 Hz ▪ Furnished with 8'-0" plug-in cord, which exits left or right rear of cooler ▪ NEMA 5-15P plug configuration ▪ Dedicated 15 amp circuit recommended
Refrigeration	<ul style="list-style-type: none"> ▪ R290 Hydrocarbon Refrigerant ▪ 12°F - 17°F operating range ▪ Digital thermostat on front grille
Plumbing	<ul style="list-style-type: none"> ▪ No drain required ▪ Floor drain connects to condensate evaporator pan
Insulation	<ul style="list-style-type: none"> ▪ Foamed-in-place polyurethane
Interior	<ul style="list-style-type: none"> ▪ 20 gauge stainless steel walls with coved corners ▪ NSF epoxy coated durable shelves - units come standard with 2 layers of shelves. Optional third level available for 36" and 48" models.
Exterior	<ul style="list-style-type: none"> ▪ Stainless steel or black vinyl
Doors	<ul style="list-style-type: none"> ▪ Top load sliding door with rugged grab bar handle



This equipment is intended for the storage and display of non-potentially hazardous bottle or canned products only.



Model: _____ Item #: _____ Date: _____

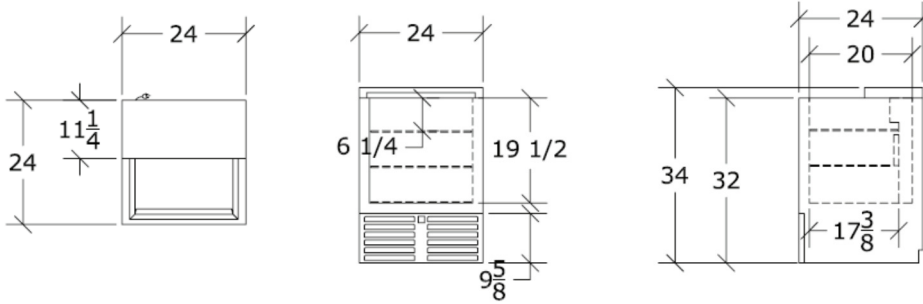
Project: _____ Qty: _____ Approved By: _____

Slide Top Mug Frosters

Refrigeration

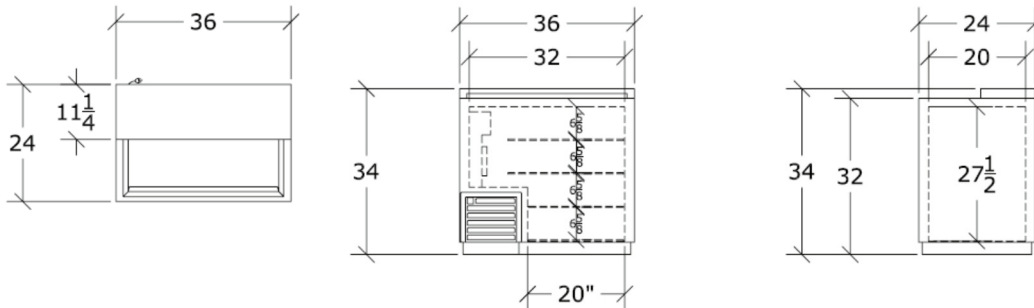
24" One-Door

Models MC24S, MC24B



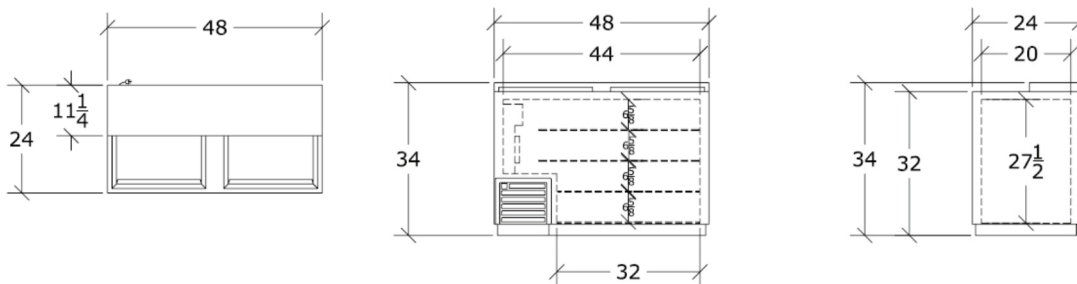
36" One-Door

Models MC36S, MC36B



48" Two-Door

Models MC48S, MC48B



This equipment is intended for the storage and display of non-potentially hazardous bottle or canned products only.

Note: Optional casters raise height 1" higher than wheel size