

SERVER®

• E S S E N T I A L S •

Fountain Jar Topping Station Stainless Steel Pump Stations

SPECIFICATION SHEET



FAST FACTS

Stainless steel pumps dispense a max 1 oz portion which can be reduced in 1/8 oz increments while the standard black knobs can be exchanged for colored, engraved knobs for easy product identification

APPLICATIONS

- Non-hazardous condiments, sauces or dressings

DETAILS

- Hold multiple fountain jars in one compact countertop station
- Manage food costs and flavor with precise portion-control
- Brushed stainless steel finish helps reduce the visibility of fingerprints
- Stainless steel pumps are clean-in-place certified



SR-2 82910



SR-3 82870



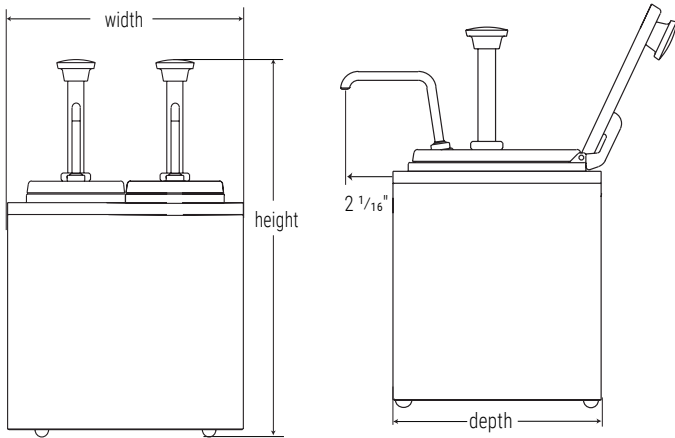
SR-4 82830

Deliver consistently.

SEE TABLE FOR APPLICABLE TRAITS BY MODEL	
DISPENSES KEY	THIN fountain syrups • oils • hot sauce
	THICK ketchup • mustard • mayo • bbq
	THICKER tartar sauce • crafted sauces
APP KEY	AMBIENT COLD HOT

NON-INSULATED STAINLESS STEEL PUMP STATION MODELS: SR-2, SR-3 & SR-4

Server non-insulated countertop stations are constructed of a stainless steel base with a brushed finish. Each combo comes complete with white, deep plastic fountain jars (82557) and stainless steel FP-V style fountain pumps (82120). 1 ¼ oz max stroke reduces in 1/8 oz increments. Black knobs are standard. NSF listed and clean-in-place certified. BPA Free. Two-year warranty.



order amt	dispenses	model/item	application	description	capacity	dims (H x W x D)	weight
<input type="checkbox"/>		SR-2 82910		2-jar base, 2 stainless steel pumps	(2) 3.5 qt fountain jars	16 1/16" x 10 7/8" x 8 13/16"	13 lb
<input type="checkbox"/>		SR-3 82870		3-jar base, 3 stainless steel pumps	(3) 3.5 qt fountain jars	16 1/16" x 15 1/2" x 8 13/16"	18 lb
<input type="checkbox"/>		SR-4 82830		4-jar base, 4 stainless steel pumps	(4) 3.5 qt fountain jars	16 1/16" x 20 1/8" x 8 13/16"	22 lb

RELATED PRODUCTS

COLORED FOUNTAIN JARS

Choose black or orange jars rather than white; use orange jars to call out common food allergens like nuts.

item	description	capacity	jar color
83147	standard, shallow fountain jar	2 qt	
83148		1.9 L	



COLORED, ENGRAVED KNOBS

Interchangeable engraved and colored knobs help staff and patrons identify contents, coordinate with store themes or promote branded products. Specify color and text at time of order. Exact shade may vary from picture. Black knobs are standard.



DISH OUT THE GOODNESS WITH STAINLESS STEEL PUMP STATIONS
 SERVER-PRODUCTS.COM | 800.558.8722 | 262.628.5600