

SERVER®

• E S S E N T I A L S •

Specialty Dispensers Cold Food Servers

SPECIFICATION SHEET

FAST FACTS

Stainless steel, Cold Food Servers keep condiments and beverage add-ins cool while the portion-controlled pump ensures flavor consistency; no electricity needed.

APPLICATIONS

- Portioning helps ensure consistent flavor in menu items with models for thin, non-hazardous condiments like flavored non-dairy creamer or thicker cold foods like mayo or tartar sauce in a warm environment

DETAILS

- Precise portions control food costs and ensure flavor consistency; 1 oz max portion adjusts in 1/8 oz increments
- Includes a stainless steel jar and (2) ice packs (use one, freeze one) for up to four hours between change-outs
- MMS is ideal to serve thicker cold foods like mayo or tartar sauce in a warm environment
- CSM models hold and dispense thin, non-hazardous condiments like flavored non-dairy creamer
- When ordering, specify a colored knob engraved with your contents for a clean presentation; black is standard



Includes SST
Jar 94009



Includes (2) Universal
Ice Packs 100515



MMS 94070
CSM 94000



Interchangeable
engraved and
colored knobs



The data is in... **182.45 million Americans**
used coffee creamers in 2020.

This figure is **projected to increase**
to 187.25 million in 2024.

Published by Statista Research Department | June 2022

SEE TABLE FOR APPLICABLE TRAITS BY MODEL	
DISPENSES KEY	THIN fountain syrups • oils • hot sauce
	THICK ketchup • mustard • mayo • bbq
	THICKER tartar sauce • crafted sauces
APP KEY	AMBIENT COLD HOT

Cool Flavors. For Cravable Concoctions.

CHILLED DISPENSERS: MMS | CMS

Server cold food servers are constructed of a stainless steel exterior with a polished finish and one-piece seamless plastic interior. Each include a 3 quart 94009 stainless steel jar and (2) 100515 Universal Ice Packs; servers also include a stainless steel, portion-control pump (max 1 oz stroke reduces in 1/8 oz increments). 2-year warranty.

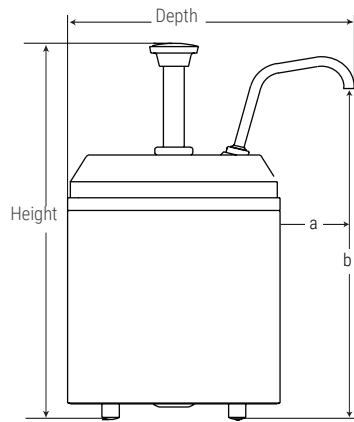


CHILLED DISPENSERS

order amt	dispenses	model/item	app	description	capacity	dims (H x W x D)	weight	dim a	dim b
<input type="checkbox"/>		MMS 94070		insulated dispenser with sst pump, jar and (2) ice packs	3 qt jar	14 15/16" x 7 3/4" x 10 7/16"	9 lb	2 1/2"	12 5/8"
<input type="checkbox"/>		CMS 94000							

REPLACEMENT PARTS

order amt	item	description
<input type="checkbox"/>	94009	3 qt sst jar
<input type="checkbox"/>	100515	ice pack (use 1, freeze 1)
<input type="checkbox"/>	94080	MMS pump (thick)
<input type="checkbox"/>	94010	CSM pump (thin)



DELIVER CONSISTENT FLAVOR ALL DAY LONG WITH COLD FOOD SERVERS
 SERVER-PRODUCTS.COM | 800.558.8722 | 262.628.5600