

SERVER

• E S S E N T I A L S •

Food Container Pumps Server Express™ Pouched Dispensers

SPECIFICATION SHEET

FAST FACTS

Dispensers are available in stainless steel singles, stations, slim stations and black plastic singles, dispense 1 oz max portions adjustable in 1/4 oz increments and are ADA Compliant with less than five pounds of pressure required to dispense.

APPLICATIONS

- Serve ketchup, mustard, mayo, tartar sauce and more at customer self-serve stations
- Models for countertop or drop-in applications

DETAILS

- Perfect for high-traffic, self-serve stations; fit up to 5 flavors in a small footprint
- Manage food costs and flavor with precise portion-control
- **Branding-ready** – incorporate your brand and flavors for quick product identification
- Countertop and drop-in models are available to suit operational needs
- Sealed, sanitary system achieves up to 98% product evacuation



STAINLESS STEEL SINGLES



SE-SS 07125

BLACK PLASTIC SINGLES



SE-2 07140

STAINLESS STEEL STATIONS



SE 07000

STAINLESS STEEL SLIM STATION



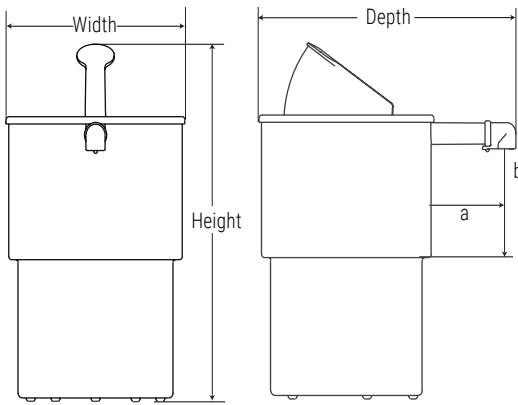
SLE-3 07530

Taste-Boosting, Waste-Reducing.

SEE TABLE FOR APPLICABLE TRAITS BY MODEL	
DISPENSES KEY	THIN fountain syrups • oils • hot sauce
	THICK ketchup • mustard • mayo • bbq
	THICKER tartar sauce • crafted sauces
APP KEY	AMBIENT COLD HOT

STAINLESS STEEL SERVER EXPRESS™ SINGLE DISPENSER MODELS: SS-SE

Server Express™ stainless steel single dispenser is constructed of a stainless steel vessel with a brushed finish, surgical-quality plastic pump and stainless steel lid. Unit dispenses thin, thick, or thicker toppings from a 1½ gal pouch with a 16 mm fitment. Maximum 1 oz portion can reduce in ¼ oz increments using adjustable lever. NSF listed, BPA Free and ADA Compliant. Two-year warranty.



model/item	drop-in cutout (W x D)
SS-SE 07020	6 3/8" x 8 1/2"



SS-SE 07125



SS-SE 07020



SERVER EXPRESS™ SINGLE STAINLESS STEEL DISPENSERS

order amt	dispenses	model/item	application	description	capacity	dims (H x W x D)	weight	dim a	dim b
<input type="checkbox"/>		SS-SE 07020		Stainless steel, drop-in	1.5 gal	10 7/16" x 6 3/8" x 13 5/8"	9 lb	4 1/4"	5 1/2"
<input type="checkbox"/>		SS-SE 07125		Stainless steel, countertop		17 9/16" x 6 3/8" x 13 3/16"		4 1/4"	12 1/2"

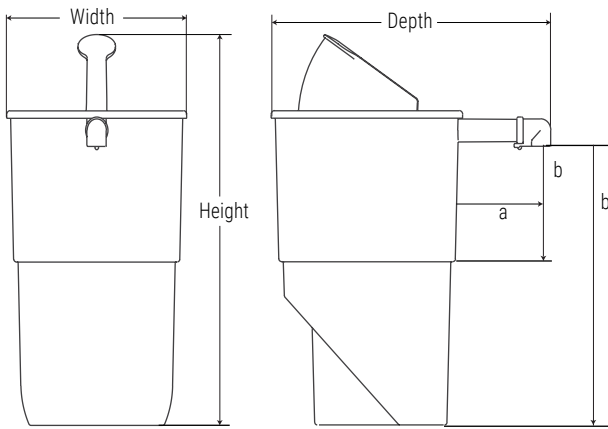
ORGANIZE WITH EASE WITH SERVER EXPRESS™ POUCHED DISPENSERS
 SERVER-PRODUCTS.COM | 800.558.8722 | 262.628.5600

Taste-Boosting, Waste-Reducing.

SEE TABLE FOR APPLICABLE TRAITS BY MODEL	
DISPENSES KEY	THIN fountain syrups • oils • hot sauce
	THICK ketchup • mustard • mayo • bbq
	THICKER tartar sauce • crafted sauces
APP KEY	AMBIENT COLD HOT

BLACK PLASTIC SERVER EXPRESS™ SINGLE DISPENSER MODELS: SE, SS-1SE & SS-2SE

Server Express™ single dispenser is constructed of a black thermoset polyester vessel, surgical-quality plastic pump and stainless steel lid. Unit dispenses thin, thick, or thicker toppings from a 1½ gal pouch with a 16 mm fitment. Maximum 1 oz portion can reduce in ¼ oz increments using adjustable lever. NSF listed, BPA Free and ADA Compliant. Two-year warranty.



model/item	drop-in cutout (W x D)
SE 07010	8 ½" diameter
SE 07000	6 ¾" x 8 ½"



SERVER EXPRESS™ BLACK PLASTIC DISPENSERS

order amt	dispenses	model/item	application	description	capacity	dims (H x W x D)	weight	dim a	dim b
		SE 07010		Round, black plastic countertop or drop-in	1.5 gal	17 7/16" x 9 5/8" x 14"	8 lb	4 5/16"	5 1/8"
		SE 07000		Rectangular, black plastic countertop or drop-in		17 5/8" x 7 1/2" x 14"			
		SS-1SE 67760		07000 with st st base, countertop		17 3/4" x 7 1/2" x 14"	10 lb		
		SS-2SE 07300		(2) 07000 with st st base, countertop		17 3/4" x 14 15/16" x 14"	17 lb	4 1/2"	12 3/4"

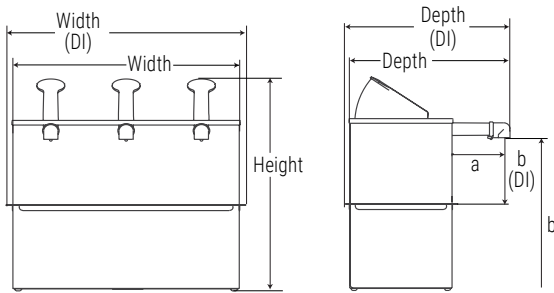
ORGANIZE WITH EASE WITH SERVER EXPRESS™ POUCHED DISPENSERS
 SERVER-PRODUCTS.COM | 800.558.8722 | 262.628.5600

Taste-Boosting, Waste-Reducing.

SEE TABLE FOR APPLICABLE TRAITS BY MODEL	
DISPENSES KEY	THIN fountain syrups • oils • hot sauce
	THICK ketchup • mustard • mayo • bbq
	THICKER tartar sauce • crafted sauces
APP KEY	AMBIENT COLD HOT

STAINLESS STEEL SERVER EXPRESS™ STATION MODELS: SE-2, SE-3, SE-3DI, SE-4, SE-4DI, SE-5, SE-5DI & SLE-3

Server Express™ Stainless Steel Stations are constructed of a stainless steel vessel with a brushed finish, surgical-quality plastic pumps and stainless steel lids. Stations dispense thin, thick, or thicker toppings from 1 1/2 gal pouches with 16 mm fitments, and the slim station accepts a 3 qt pouch with a 16 mm fitment. Maximum 1 oz portion can reduce in 1/4 oz increments using adjustable lever. NSF listed, BPA Free and ADA Compliant. Two-year warranty.



model/item	drop-in cutout (W x D)
SE-3DI.07050	16 3/8" x 8 1/2"
SE-4DI.07210	21 13/16" x 8 1/2"
SE-5DI.07070	27 3/16" x 8 1/2"

SERVER EXPRESS™ SINGLE STAINLESS STEEL STATIONS

order amt	dispenses	model/item	application	description	capacity	dims (H x W x D)	weight	dim a	dim b
<input type="checkbox"/>		SE-2.07140		(2) 07794 pumps, countertop	(2) 1.5 gal	17 1/2" x 11" x 13 5/16"	15 lb	4 1/4"	12 9/16"
<input type="checkbox"/>		SE-3.07040		(3) 07794 pumps, countertop	(3) 1.5 gal	17 1/2" x 16 3/8" x 13 5/16"	18 lb	4 1/4"	12 9/16"
<input type="checkbox"/>		SE-3DI.07050		(3) 07794 pumps, drop-in (DI)		10 7/16" x 17 1/4" x 13 3/4"			
<input type="checkbox"/>		SE-4.07200		(4) 07794 pumps, countertop	(4) 1.5 gal	17 1/2" x 21 13/16" x 13 5/16"	22 lb	4 1/4"	12 9/16"
<input type="checkbox"/>		SE-4DI.07210		(4) 07794 pumps, drop-in (DI)		10 7/16" x 22 11/16" x 13 3/4"			
<input type="checkbox"/>		SE-5.07060		(5) 07794 pumps, countertop	(5) 1.5 gal	17 1/2" x 27 3/16" x 13 5/16"	34 lb	4 1/4"	12 9/16"
<input type="checkbox"/>		SE-5DI.07070		(5) 07794 pumps, drop-in (DI)		10 7/16" x 28 1/16" x 13 3/4"			

SLIM STATION

order amt	dispenses	model/item	application	description	capacity	dims (H x W x D)	weight	dim a	dim b
<input type="checkbox"/>		SLE-3.07530		(3) 07794 pumps, slim base	(3) 96 oz	17 9/16" x 11" x 13"	13 lb	4 1/4"	12 9/16"

ORGANIZE WITH EASE WITH SERVER EXPRESS™ POUCHED DISPENSERS
 SERVER-PRODUCTS.COM | 800.558.8722 | 262.628.5600