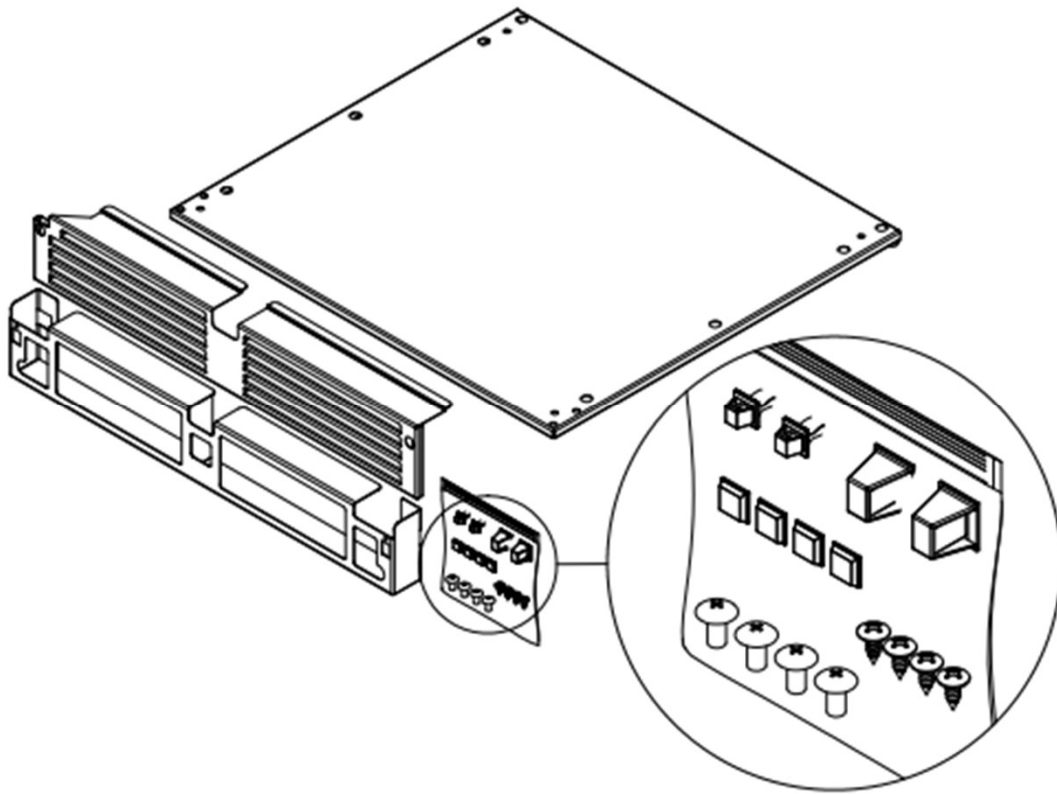


PART NUMBER	1033280
INSTRUCTION START DATE	11/29/2021
AFFECTED MODELS	HP15, HP24, HC24 & HA24
KIT PART NUMBER(S)	RS-SK-15L, RS-SK-15R, RS-SK-24L, RS-SK-24R, RS-SK-18L & RS-SK-18R
INSTRUCTION PURPOSE	WORK INSTRUCTIONS FOR STACKING 15" AND 24" WITH DOOR CABINET UNITS.



Since 1917



TOOLS REQUIRED

PPE (GLOVES AND SAFETY GOOGLES)

PHILIPS SCREWDRIVER

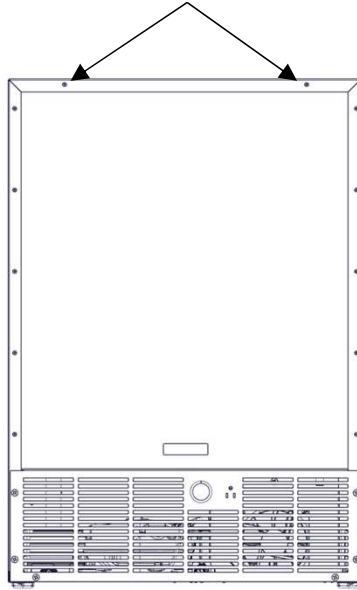
DRILL, AND 5/32' DRILL BIT

OPERATION 1: DRILL OUT RIVETS

CAUTION: THESE CABINETS ARE EXTREMELY HEAVY. ENSURE THAT YOU HAVE ENOUGH PEOPLE ON HAND TO HELP REPOSITIONING THE UNIT SO IT CAN BE DONE SAFELY AND WITHOUT DAMAGE.

- UTILIZING A DRILL WITH A 5/32" DRILL BIT, DRILL OUT TOP ROW OF RIVETS ALONG BACK OF THE BOTTOM CABINET.

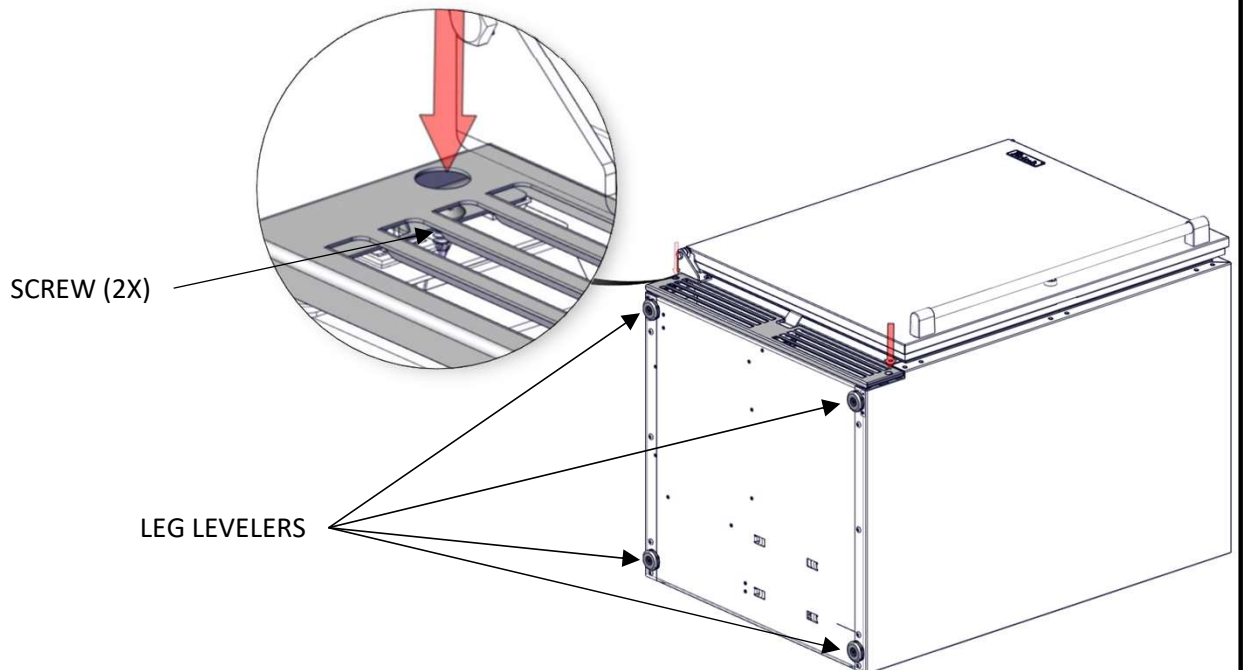
2 RIVETS ON 24" AND 15" WIDE CABINETS



OPERATION 2: LEG LEVELERS & GRILL REMOVAL

CAUTION: THESE CABINETS ARE EXTREMELY HEAVY. ENSURE THAT YOU HAVE ENOUGH PEOPLE ON HAND TO HELP REPOSITIONING THE UNIT SO IT CAN BE DONE SAFELY AND WITHOUT DAMAGE.

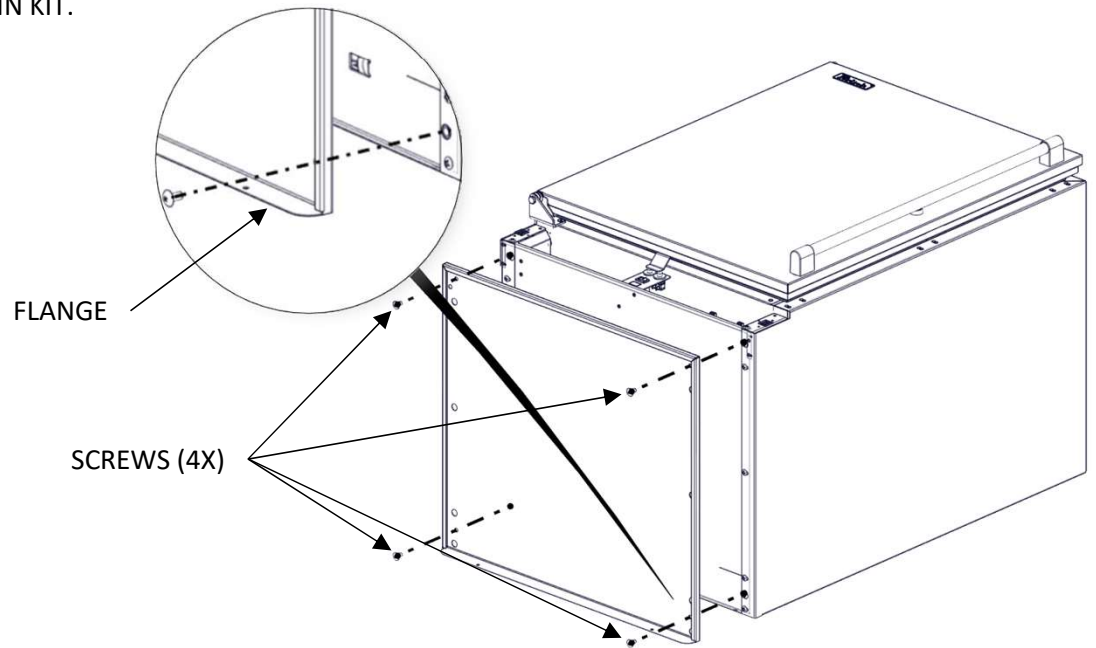
1. LAY UPPER CABINET ON ITS BACK AND REMOVE LEG LEVELERS FROM ALL CABINET SIZES.
2. UTILIZING A PHILLIPS HEAD SCREWDRIVER, REMOVE GRILL BY REMOVING THE TWO SCREWS THAT ARE LOCATED ON EACH SIDE OF GRILL (SEE PIC).



OPERATION 3: ATTACHING MOUNTING PLATE

CAUTION: THESE CABINETS ARE EXTREMELY HEAVY. ENSURE THAT YOU HAVE ENOUGH PEOPLE ON HAND TO HELP REPOSITIONING THE UNIT SO IT CAN BE DONE SAFELY AND WITHOUT DAMAGE.

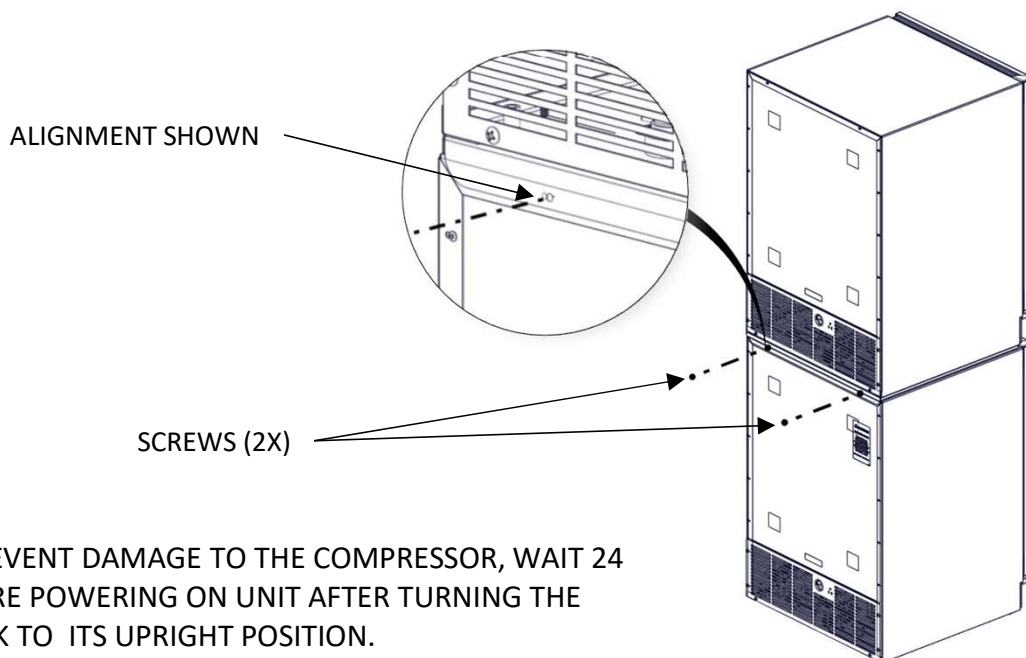
1. WHILE CABINET LAYING ON ITS BACK, BRING MOUNTING PLATE AND ALIGN IT TO THREADED HOLES WHERE LEG LEVELERS WERE REMOVED IN STEP 2. THE FLANGE SHOULD BE POINTING AWAY FROM THE UNIT.
2. UTILIZING A PHILLIPS HEAD SCREWDRIVER, SECURE MOUNTING PLATE BY FASTENING 1/4-20 MACHINE SCREWS (4X) PROVIDED IN KIT.



OPERATION 4: STACKING UPPER UNIT ONTO LOWER UNIT

CAUTION: THESE CABINETS ARE EXTREMELY HEAVY. ENSURE THAT YOU HAVE ENOUGH PEOPLE ON HAND TO HELP REPOSITIONING THE UNIT SO IT CAN BE DONE SAFELY AND WITHOUT DAMAGE.

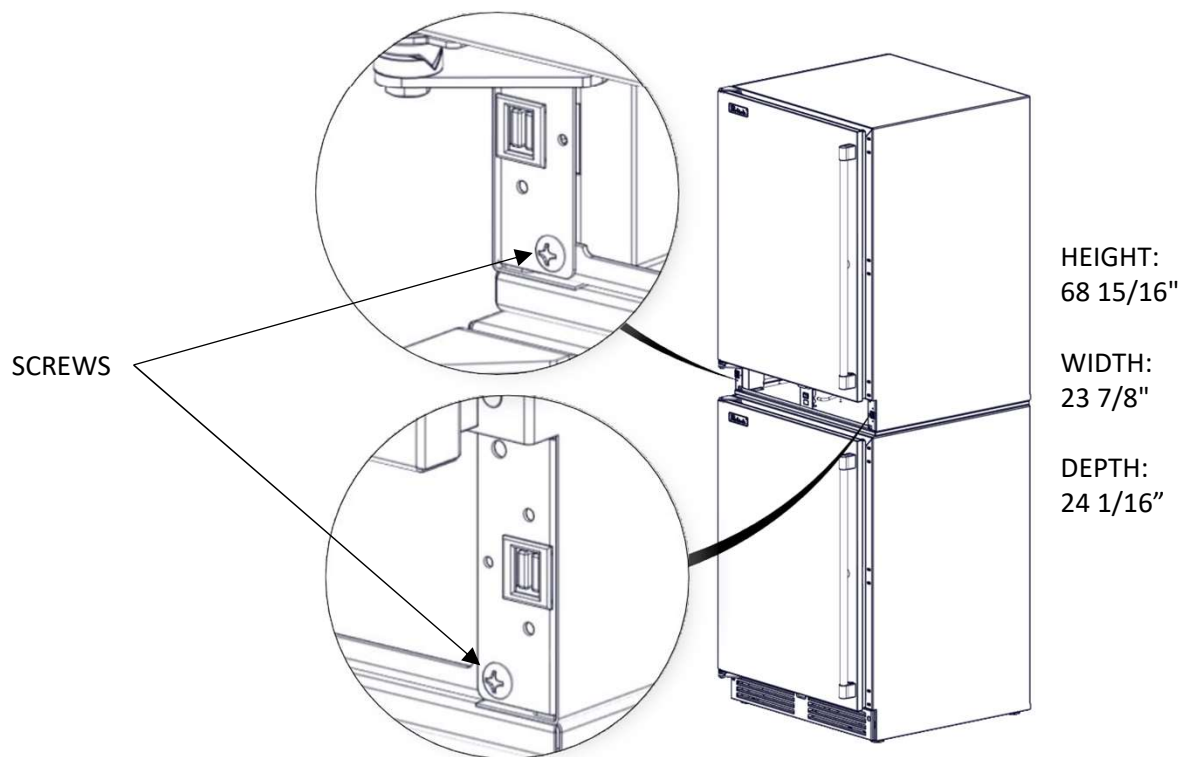
1. PLACE UPPER UNIT ON TOP OF LOWER UNIT. ALIGN FLANGE HOLES WITH THE RIVET HOLES PREVIOUSLY DRILLED.
2. UTILIZING A PHILIPS HEAD SCREWDRIVER, SECURE UPPER UNIT BY FASTENING #10 SCREWS PROVIDED IN KIT.



NOTE: TO PREVENT DAMAGE TO THE COMPRESSOR, WAIT 24 HOURS BEFORE POWERING ON UNIT AFTER TURNING THE CABINET BACK TO ITS UPRIGHT POSITION.

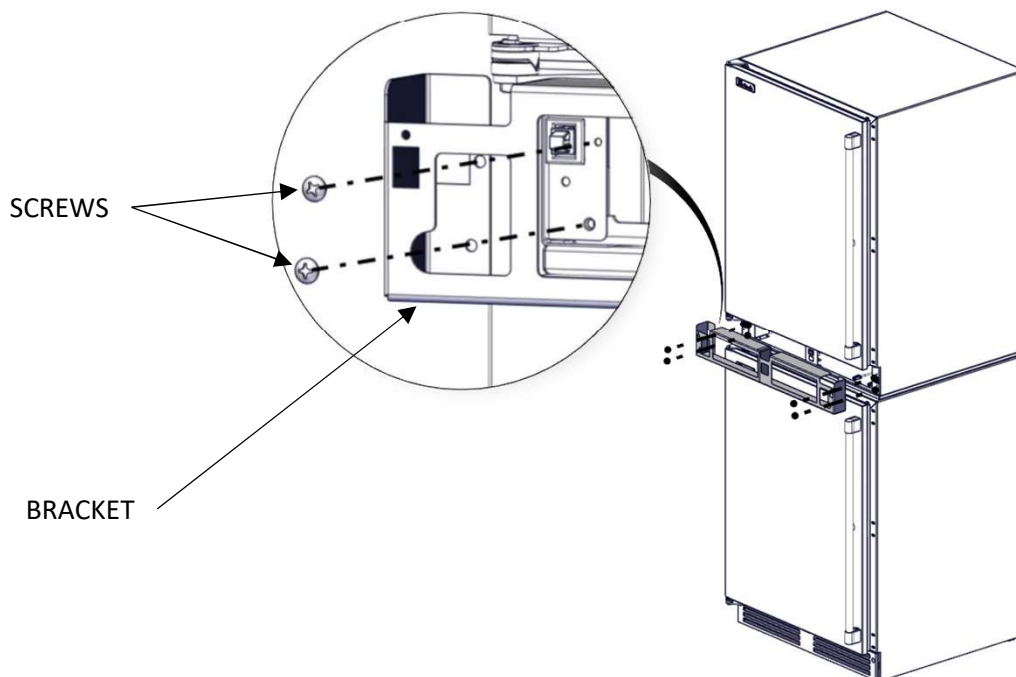
OPERATION 5: SCREWS REMOVAL

1. WITH A PHILLIPS HEAD SCREWDRIVER, REMOVE SCREWS (2X) FROM UNIT SIDE BRACKETS.
2. KEEP COMPONENTS (SCREWS) ASIDE FOR RE-ASSEMBLY LATER.



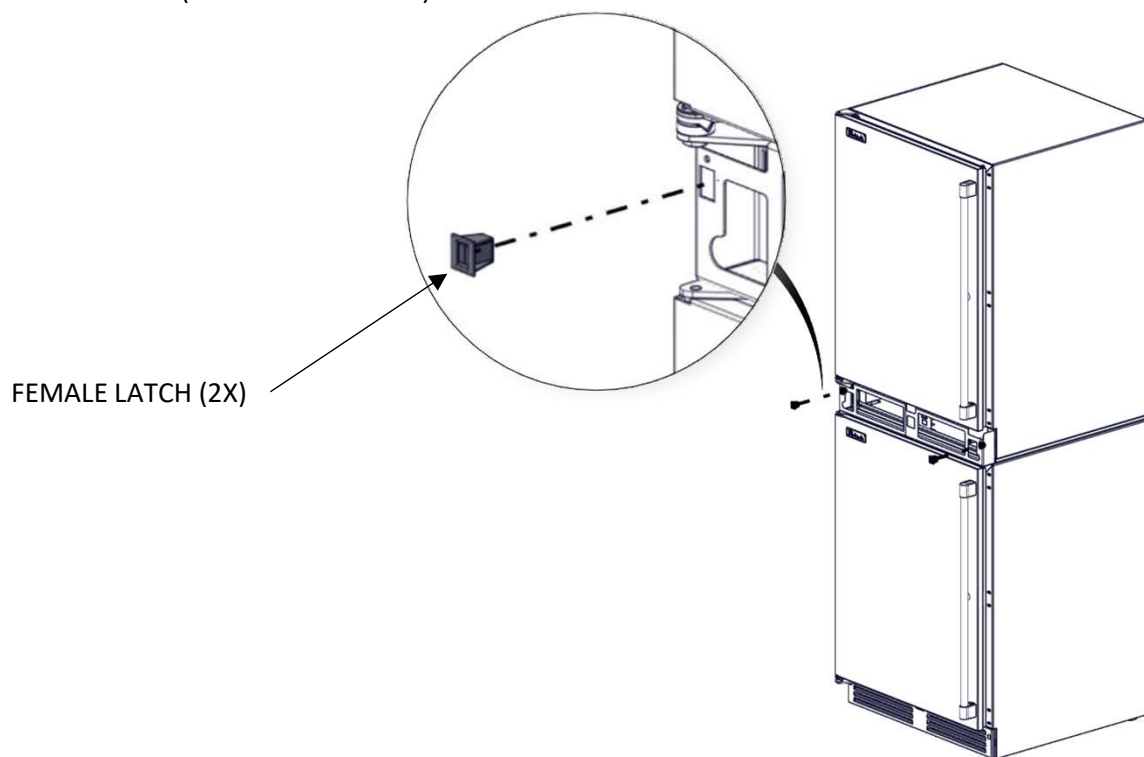
OPERATION 6: INSTALL MOUNTING BRACKET

1. ALIGN MOUNTING BRACKET TO HOLES (4X), 2 HOLES FROM WHERE OLD GRILL WAS SECURED TO (STEP 2), AND THE OTHER TWO HOLES ARE THE ONES FROM PREVIOUS STEP (STEP 5).
2. UTILIZING A PHILLIPS HEAD SCREWDRIVER, SECURE BRACKET BY UTILIZING TWO SCREWS FROM STEP 5, AND TWO SCREWS FROM STEP 6.



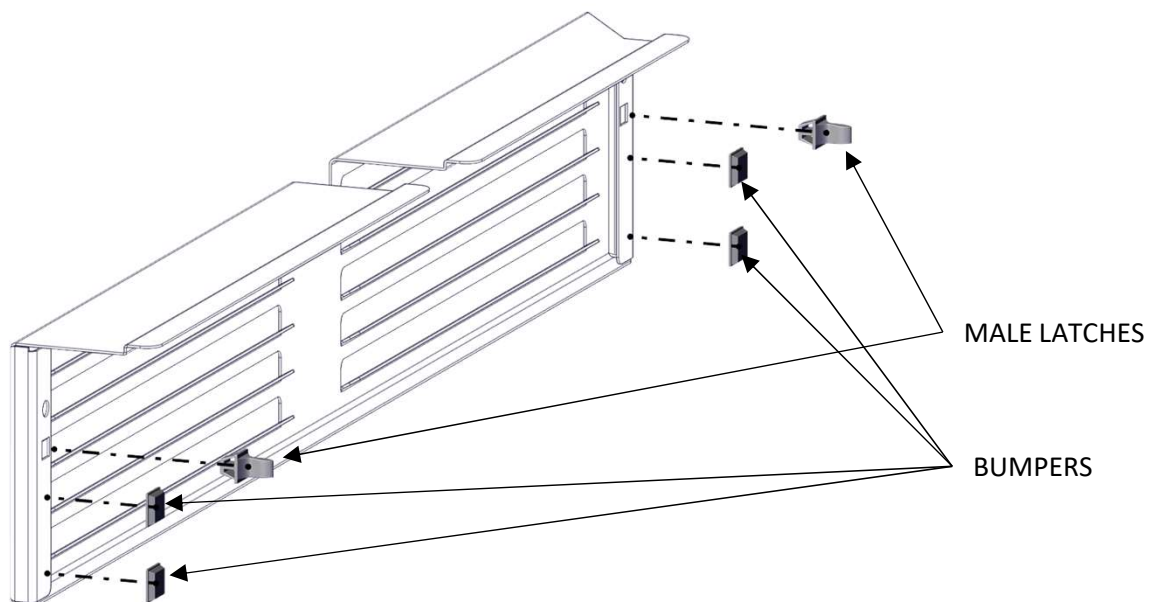
OPERATION 7: INSTALL FEMALE LATCHES TO BRACKET

1. CAREFULLY INSTALL FEMALE LATCHES (2X) INTO MOUNTING BRACKET ONE ON EACH SIDE BY PRESSING DOWN FIRMLY AGAINST SQUARE OPENING IN BRACKET. MAKE SURE FEMALE LATCHES ARE ALL WAY IN AND ORIENTED AS PICTURE BELOW (VERTICAL OPENING).



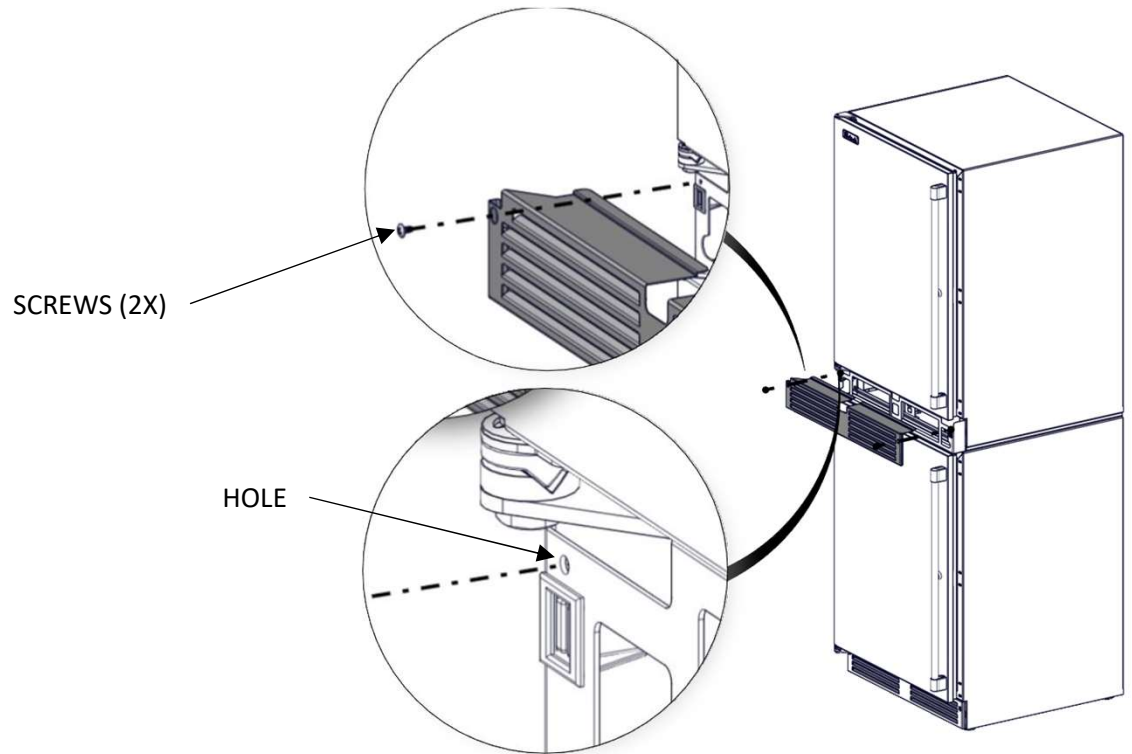
OPERATION 8: PREPARING GRILL (LATCH & BUMPERS)

1. INSTALL MALE LATCHES ON GRILL BY PRESSING FIRMLY AGAINST SQUARE OPENING ON EACH SIDE OF GRILL. MAKE SURE THE MALE LATCHES ARE FULLY ENGAGED AND ORIENTED VERTICALLY.
2. PEEL OFF THE PAPER OF EACH BUMPER PAD EXPOSING THE ADHESIVE SURFACE AND PLACE EACH ONE AS ORIENTED IN THE PICTURE BELOW.



OPERATION 9: INSTALL STACKING GRILL

1. PLACE AND ALIGN STACKING GRILL TO HOLES LOCATED RIGHT ABOVE FEMALE LATCHES ON EACH SIDE OF MOUNTING BRACKET.
2. UTILIZING A PHILLIPS HEAD SCREWDRIVER, SECURE STACKING GRILL WITH TWO #10 SCREWS PROVIDED IN KIT.

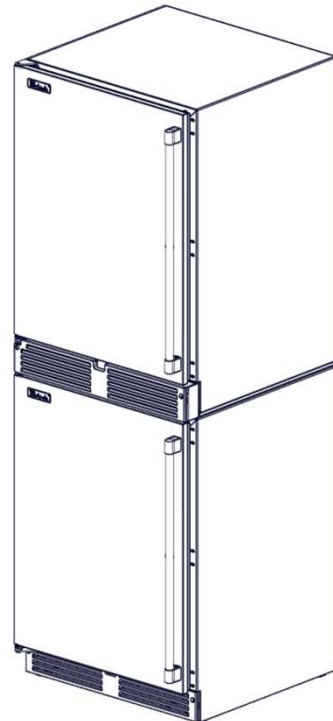


OPERATION 10: FINAL STAGE

1. MAKE SURE TO WAIT 24 HOURS BEFORE POWERING ON UNIT AFTER TURNING THE CABINET BACK TO ITS UPRIGHT POSITION.

NOTE:

WHEN USING STACKING KIT TO JOIN (2) HH24 OR HA24 UNITS, A WALL MOUNT ANTI-TIP KIT MUST BE INSTALLED. SEE CABINET INSTALLATION MANUAL FOR INSTRUCTIONS.



3/3/2022

REV #	ECO #	DESCRIPTION	DATE	NAME
A	2021-5401	NEW RELEASE	3/02/2022	JIT