



MAESTRO SERIES

MODULAR
ICE MACHINE

IM-1700-A/W/R

AIR COOLED

KEY FEATURES:

- Up to 1722 lbs production capacity (70F/50F, 24 Hours)
- 304 stainless-steel exterior (durable & rust-resistant) Simple diagnostic panel to assist service & maintenance
- Cleaning switch for auto cleaning cycle
- Magnetic & cleanable condenser air filter
- Adjustable flush time to reduce scale & cleaning cost
- ABS antimicrobial interior to reduce slime & cleaning cost
- Water distributor tube & water sump removed w/o tools
- Heavy duty water curtain, pins & hangers for easy removal
- Hinged front doors for easy access
- Split front panel requires less space to access food zone
- Side panel screws easily removed from front of machine
- Louvers on both sides & top for optimal ventilation
- Improved evaporator section to reduce airborne bacteria
- R-410A refrigerant

ICE SHAPE: Cube & Half Cube



C: Cube
7/8" x 7/8" x 7/8"
(2.22 x 2.22 x 2.22 cm)



H: Half Cube
3/4" x 1 1/8" x 7/8"
(.95 x 2.86 x 2.22 cm)

STANDARD WARRANTY:

- Ice Maker: 3-Year Parts & Labor
- Evaporator: 5-Year Parts & Labor
- Compressor: 5-Year Parts & 3-Year Labor

CERTIFICATIONS



IM-1700-AH shown with IB-085-48

Remote Unit Line Sets:

IRT-20R4.10A 20' line set

IRT-35R4.10A 35' line set

IRT-50R4.10A 50' line set

Bin-Stat Kit

IBO-150KIT
Recommended when ice machine is installed on soda dispenser.



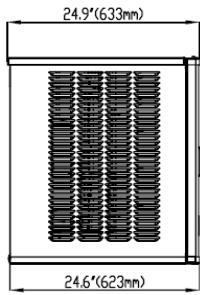
Recommended Water Filtration:

IcePro 2500 (replacement cartridge: IcePro 2500R)

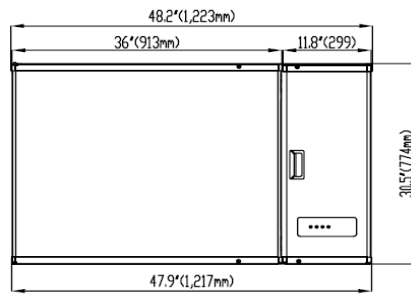


Extended Warranty Program when you install and register IcePro 2500 water filtration with IM-1700-AC/AH. For more information, visit www.icetroamerica.com/registration.

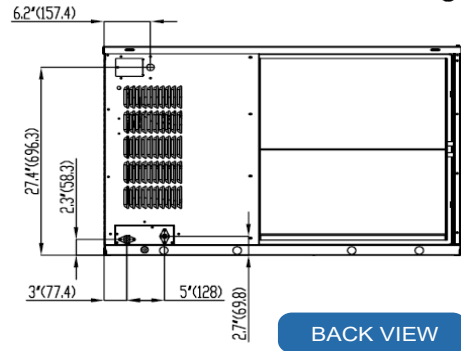
PLAN VIEW IM-1700-AC/AH (MACHINE HEAD)



SIDE VIEW

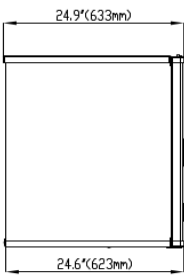


FRONT VIEW

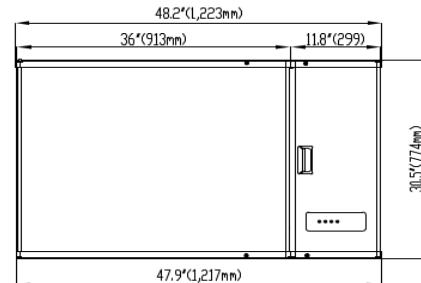


BACK VIEW

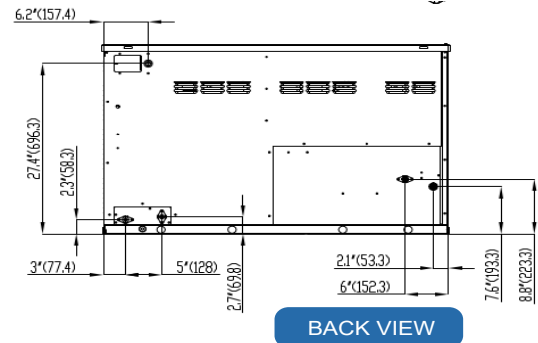
PLAN VIEW IM-1700-WC/WH (MACHINE HEAD)



SIDE VIEW



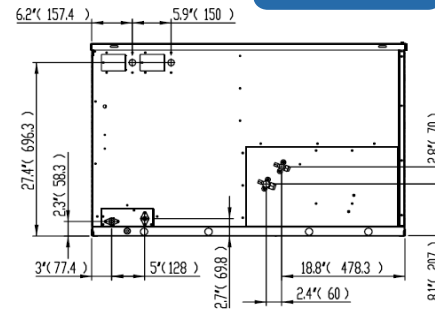
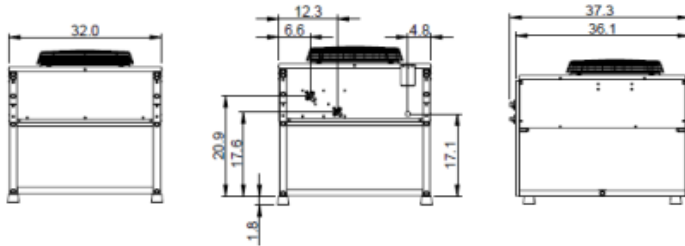
FRONT VIEW



BACK VIEW

PLAN VIEW IM-1700-RC/RH

(IRC-2000 condenser, back view lside and front same as AC/AH)



BACK VIEW

Specifications

Dimensions	Width	Depth	Height	Weight
IM-1700 Machine	48"	24.5"	30.4"	322 lbs (Net) 366 lbs (Shipping)
IRC-2000 Condenser	37.3"	32"	27.1"	143 lbs (Net) 195 lbs (Shipping)

	Model	Ice Shape	Ice Production 24 Hours		Power Usage kWh/100 lbs. @90°Air/70°F	Potable Water Usage/100 lbs. 45.4 kgs. of Ice
			70°Air/ 50°F Water	90°Air/ 70°F Water		
AIR COOLED	IM-1700-AC	cube	1 ph	1 ph	4.66	14 Gal.
			1722 lbs	1443 lbs		
	IM-1700-AH	half-cube	1722 lbs	1443 lbs	4.66	14 Gal.
			783 kgs	657 kgs		
	WATER COOLED	IM-1700-WC	cube	1843 lbs	1678 lbs	2.95
838 kgs				763 kgs		
IM-1700-WH		half-cube	1843 lbs	1678 lbs	2.95	14 Gal.
838 kgs	763 kgs					
<i>IRC-2000 condenser ordered separately for remote-cooled units</i>						
REMOTE COOLED	IM-1700-RC	cube	1680 lbs	1462 lbs	4.44	14 gal
			764 kgs	665 kgs		
IM-1700-RH	half-cube	1680 lbs	1462 lbs	4.44	14 gal	
		764 kgs	764 kgs			

* Design and specifications are subject to change without prior notice.

