



# ROLL-IN RACK CONVECTION OVEN



**Signature Rotating Rack Oven, Gas or Electric, (1) Single Rack Capacity, Side Loaded, Touchscreen Control, Advanced Programmable Controls, 8 Stage Baking, 99 Recipes, Front Mounted Panel, Standard Type II Hood, Variable Air Speed, Adjustable Air Flow, Reversible Door, Shot or Pulse Steam Injection, Stainless Steel Construction, NSF Certified**



PROJECT \_\_\_\_\_

ITEM NO. \_\_\_\_\_

NOTES \_\_\_\_\_

MODEL NUMBER: **SRO1E , SRO1G**

**FEATURES**

- Advanced Programmable Touchscreen Control
  - 99 Programmable Recipes
  - 8 Stage Baking
- Standard Type II Hood
- Digital Temperature Control up to 525°F (273°C)
- Rotating Rack System for Even Baking (1500 lb. capacity)
- Shot & Pulse Steam Capabilities
- Efficient Electric or Gas Heating
- Energy Saving Mode
- Advanced Moisture Evacuation System
- Interior Oven Lights for Full Illumination

**CONSTRUCTION**

- Stainless Steel Construction
- Field Reversible Door
- Ships Knockdown or One Piece Standard
- Self Adjusting Slip Clutch on Rack
- Built in Rollers Allow for Easy Movement and Installation
- Four Adjustable Air Channels Designed for Perfect Bakes

**OPTIONS & ACCESSORIES**

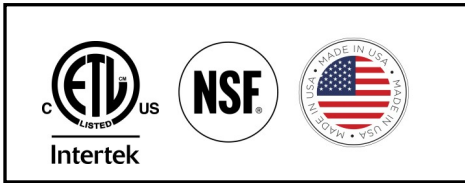
- Prison Package
- Roll-In Racks (# of Shelves: 8, 10, 12, 15 & 20)
- Water Filter

**CLEARANCES**

- 0" (0 mm) Side & Back
- 0" (0 mm) Bottom
- 36" (305 mm) Top

**WARRANTY**

- One Year Labor & Two Year Parts



Model	Crated Weight	Overall Dimensions			Interior Dimensions		
		W	D	H	W	D	H
SRO1E	1650	55"	51"	100 7/8"	31"	43"	73 1/2"
	(749)	(1397)	(1295)	(2540)	(787)	(1092)	(1866)
SRO1G	1650	55"	51"	100 7/8"	31"	43"	73 1/2"
	(749)	(1397)	(1295)	(2540)	(787)	(1092)	(1866)





PROJECT \_\_\_\_\_

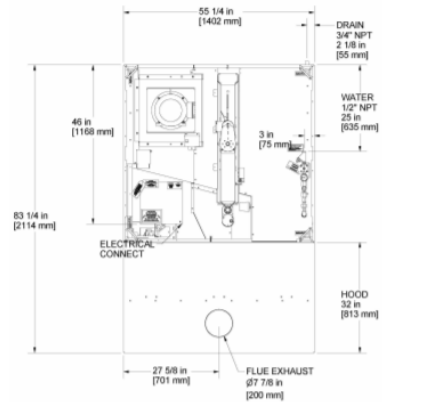
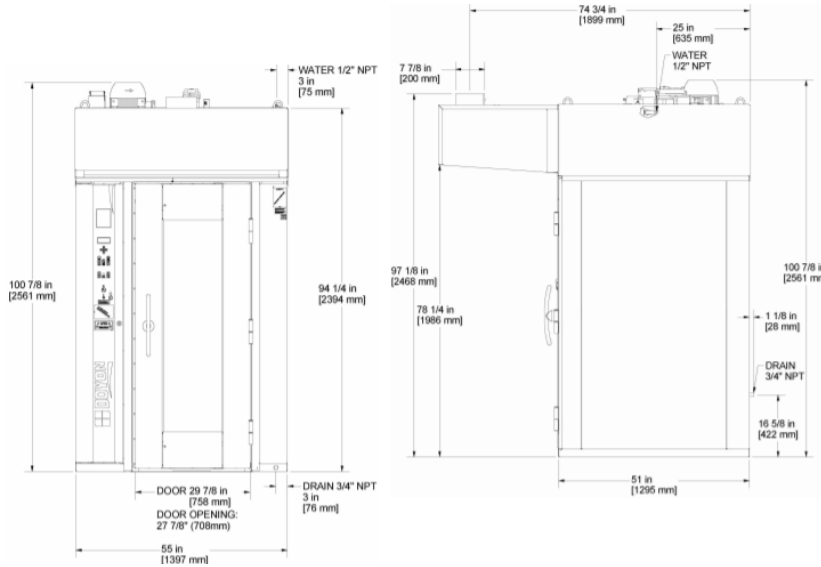
ITEM NO. \_\_\_\_\_

NOTES \_\_\_\_\_

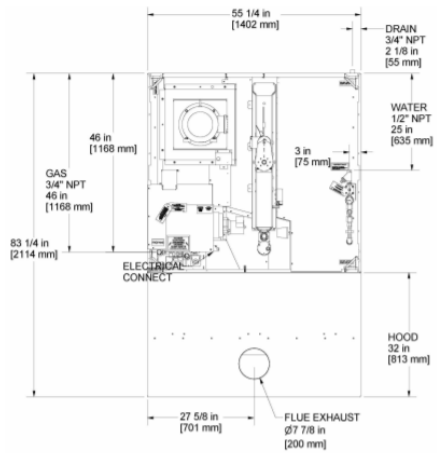
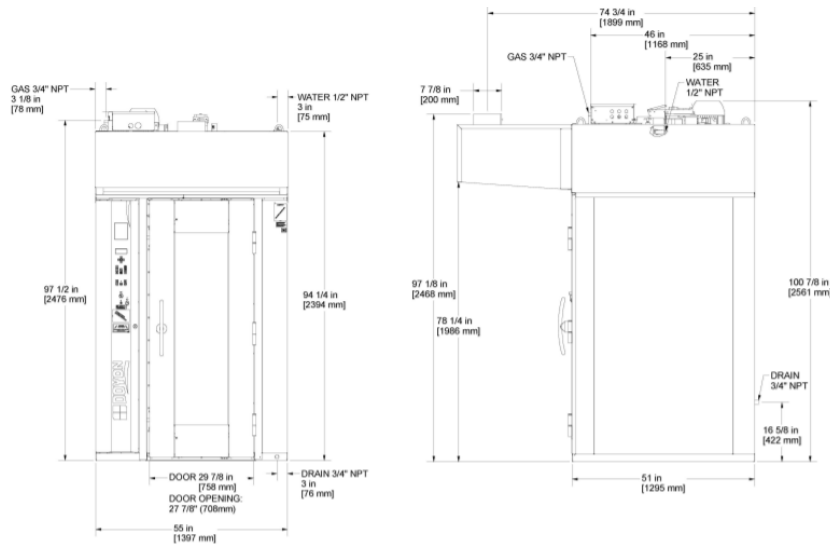
MODEL NUMBER: **SRO1E , SRO1G**

**DRAWINGS**

**SRO1E**



**SRO1G**



Model	Gas System			Water Inlet	Electrical System *ground wire not included					
	BTU	D.H.	G.I.		Volts	Phases	Amps	kW	Wires*	Hz
SRO1E	-	-	-	1/2" (12)	208/240	1	173/150	36	2	50/60
					208/240	3	100/87	36	3	50/60
					480	3	44	36	3	50/60
SRO1G	175,000	-	-	1/2" (12)	208/240	1	12	4	2	50/60
					208/240	3	10	3	3	50/60

SPECIFICATIONS SUBJECT TO CHANGE WITHOUT NOTICE

KCL & REVIT DRAWINGS UPON REQUEST

REVISION A | 4/21/2021

Follow Us



Doyon

5600 13th Street, Menominee, MI 49858

906.863.4401 | 800.338.9886 | www.doyon.qc.ca

