



# 30" Shuttle Plus Storage

Model Number
SPS-1
SPS-1-G



SPS-1-G shown

## **FEATURES**

- Guillotine and large opening for scoop dispensing
- Seamless polyethylene liner with covered corners
- 1 ½" foamed in-place polyurethane insulation
- Adjustable flanged feet
- First in first out ice
- One (1) 48" Clear PVC tube for drainage (1"ID)
- Factory installed stainless steel drain pan
- Welded 40" base frame
- One (1) 250lbs capacity Poly-cart with foot operated rear drain
- One (1) 48" UHMWP ice paddle

## **APPLICATIONS**

- Hospitality Industry
- Grocery Store
- Amusement/Water Park
- Sports Venue



**Toll Free Phone: 1-800-346-3246**

**Local Phone: (303) 761-1615**

**E-mail: [sales@kloppenberg.com](mailto:sales@kloppenberg.com)**

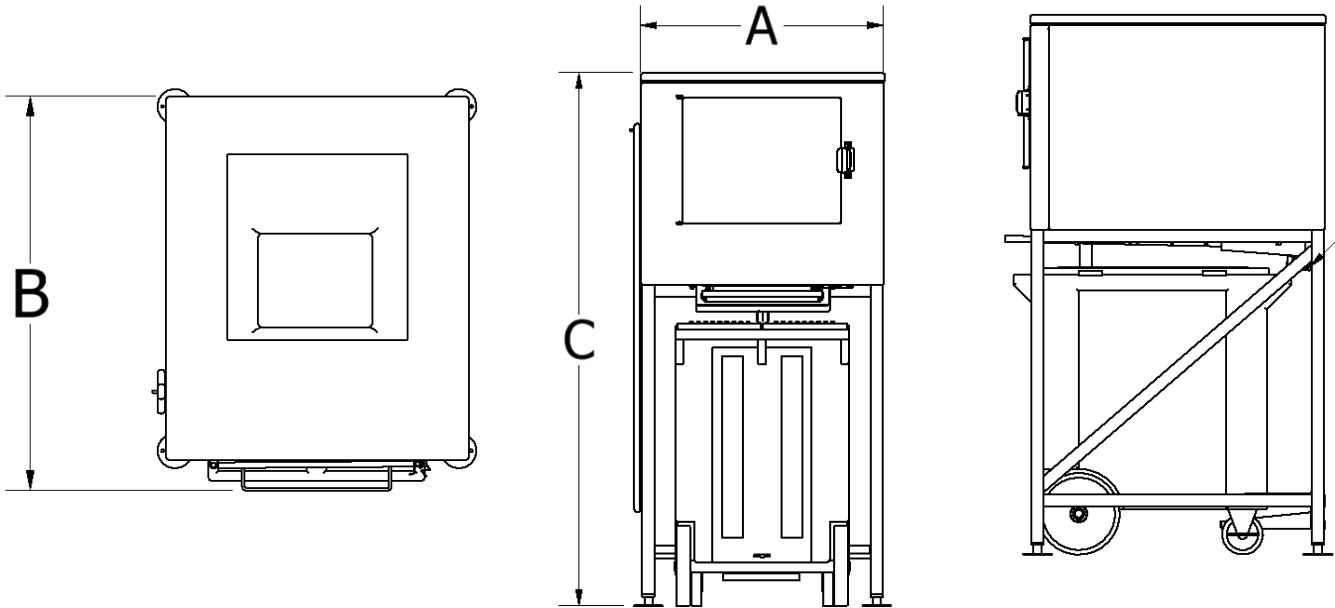
**[www.kloppenberg.com](http://www.kloppenberg.com)**

## Model Number

SPS-1

SPS-1-G

# Shuttle Plus Storage



TOP VIEW

FRONT VIEW

SIDE VIEW

Model Number	Capacity lbs (kg)	A-Width in (mm)	B-Depth in (mm)	C-Height in (mm)	Minimum Door Clearance	Ship Weight lbs (kg)
SPS-1	500 (226)	30 (762)	40.5 (1,033)	66 (1,676)	30 (762)	330 (150)
SPS-1-G	900 (408)	30 (762)	52.5 (1,334)	80 (2,032)	30 (762)	425 (193)

\*Depth includes 4.5" for the guillotine handle

## **OPTIONS:**

- Fully welded stainless steel liner (coved corners)
- Sleeves for additional capacity

## **AVAILABLE ACCESSORIES:**

- Scoops
- Totes
- Bagging Kit

Toll Free Phone: 1-800-346-3246 Local Phone: 303-761-1615

Email: [sales@kloppenberg.com](mailto:sales@kloppenberg.com)

Please send all PO's to [purchaseorders@kloppenberg.com](mailto:purchaseorders@kloppenberg.com)