



90" Shuttle Plus Storage

Model Number
SPS-3
SPS-3-G



SPS-3 shown

FEATURES

- Guillotines and large openings for scoop dispensing
- Full Stainless Steel—front, back, bottom, sides and liner
- 1 ½" foamed in-place polyurethane insulation
- Adjustable flanged feet
- First in first out ice
- Two (2) 48" Clear PVC tubes for drainage (1"ID)
- Factory installed stainless steel drain pan
- Welded 40" base frame
- Two (2) 250lbs capacity Poly-carts with foot operated rear drain
- One (1) 48" UHMWP ice paddle

APPLICATIONS

- Hospitality Industry
- Grocery Store
- Amusement/Water Park
- Sports Venue



Toll Free Phone: 1-800-346-3246

Local Phone: (303) 761-1615

E-mail: sales@kloppenberg.com

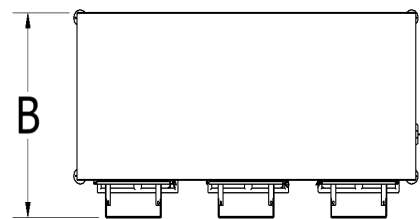
www.kloppenberg.com

90" Shuttle Plus Storage

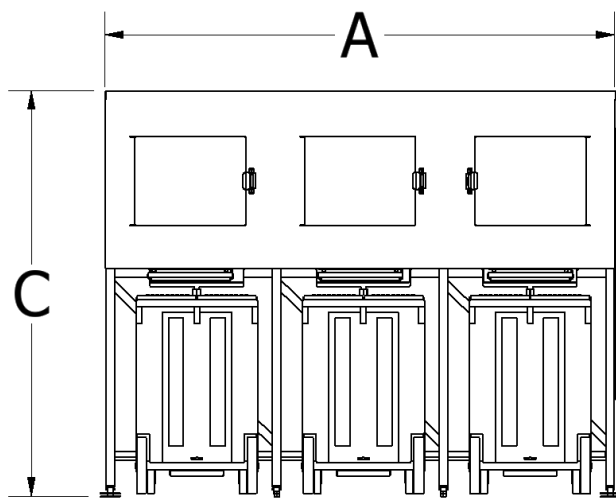
Model Number

SPS-3

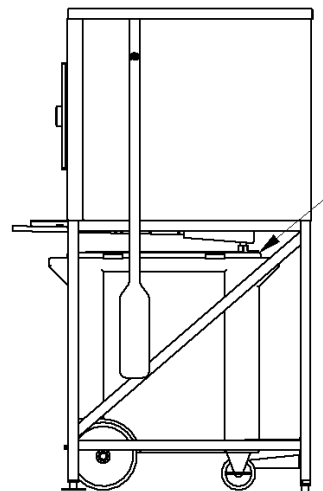
SPS-3-G



TOP VIEW



FRONT VIEW



SIDE VIEW

Model Number	Capacity lbs (kg)	A-Width in (mm)	B-Depth* in (mm)	C-Height in (mm)	Minimum Door Clearance	Ship Weight lbs (kg)
SPS-3	2,000 (909)	90 (2,286)	40.5 (1,033)	71 (1,803)	36 (914)	950 (432)
SPS-3-G	2,400 (1,091)	90 (2,286)	52.5 (1,334)	71 (1,803)	48 (1,219)	1,164 (529)

*Depth includes 4.5" for the guillotine handle

OPTIONS:

- Fully welded stainless steel liner (coved corners)
- Sleeves for additional capacity

AVAILABLE ACCESSORIES:

- Scoops
- Totes
- Bagging Kit

Toll Free Phone: 1-800-346-3246 Local Phone: 303-761-1615

Email: sales@kloppenberg.com

Please send all PO's to purchaseorders@kloppenberg.com