



# 90" Shuttle Plus Storage



SPS-3-SL shown

## Model Number

SPS-3-SL

SPS-3-G-SL

## FEATURES

- Guillotines and large openings for scoop dispensing
- Full Stainless Steel—front, back, bottom, sides and liner
- 1 ½" foamed in-place polyurethane insulation
- Adjustable flanged feet
- First in first out ice
- Three (3) 48" Clear PVC tubes for drainage (1"ID)
- Factory installed stainless steel drain pan
- Welded 40" base frame
- Three (3) 250lbs capacity Polycarts with foot operated rear drain
- One (1) 60" UHMWP ice paddle

## APPLICATIONS

- Hospitality Industry
- Grocery Store
- Amusement/Water Park
- Sports Venue



**NAFEM**

North American Association of  
Food Equipment Manufacturers

**Toll Free Phone: 1-800-346-3246**

**Local Phone: (303) 761-1615**

**E-mail: [sales@kloppenberg.com](mailto:sales@kloppenberg.com)**

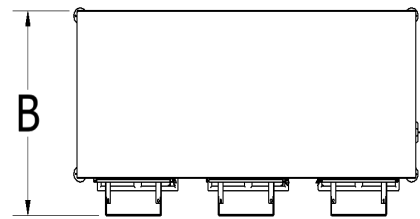
[www.kloppenberg.com](http://www.kloppenberg.com)

# 90" Shuttle Plus Storage

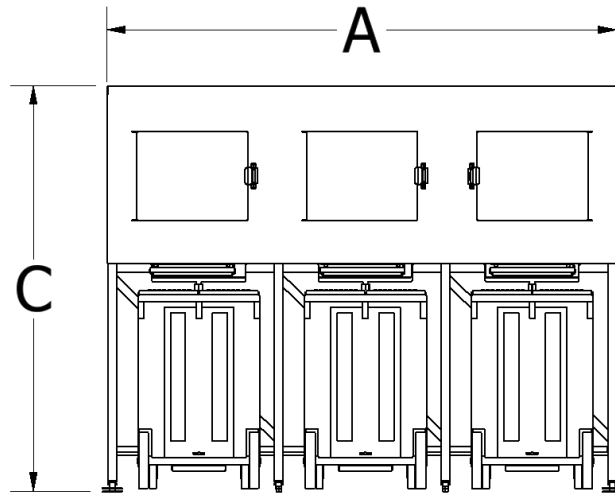
**Model Number**

**SPS-3-SL**

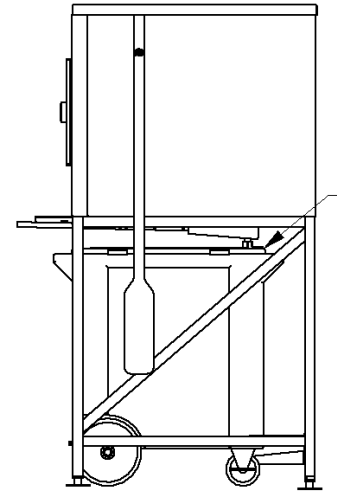
**SPS-3-G-SL**



**TOP VIEW**



**FRONT VIEW**



**SIDE VIEW**

| Model Number | Capacity lbs (kg) | A-Width in (mm) | B-Depth* in (mm) | C-Height in (mm) | Minimum Door Clearance in (mm) | Ship Weight lbs (kg) |
|--------------|-------------------|-----------------|------------------|------------------|--------------------------------|----------------------|
| SPS-3-SL     | 3,400 (1,545)     | 90 (2,286)      | 40.5 (1,033)     | 101 (2,565)      | 36 (914)                       | 1,190 (541)          |
| Sleeve Only  | 1,400 (636)       | 90 (2,286)      | 40.5 (1,033)     | 30 (14)          | 30 (14)                        | 275 (125)            |
| SPS-3-G-SL   | 4,300(1,955)      | 90 (2,286)      | 52.5 (1,334)     | 101 (2,565)      | 48 (1,219)                     | 1,570 (714)          |
| Sleeve Only  | 1700 (773)        | 90 (2,286)      | 52.5 (1,334)     | 30 (14)          | 30 (14)                        | 480 (218)            |

\*Depth includes 4.5" for the guillotine handle

## **OPTIONS:**

- Fully welded stainless steel liner (coved corners)
- Sleeves for additional capacity

## **AVAILABLE ACCESSORIES:**

- Scoops
- Totes
- Bagging Kit

Toll Free Phone: 1-800-346-3246 Local Phone: 303-761-1615

Email: [sales@kloppenberg.com](mailto:sales@kloppenberg.com)

Please send all PO's to [purchaseorders@kloppenberg.com](mailto:purchaseorders@kloppenberg.com)