



# BB145

## BevBasix™ Commercial Bar Blender with 48 oz. Polycarbonate Container



### MAIN FEATURES

- Recommended for up to 25 drinks per day
- HI/LO/OFF toggle switches
- 1/2 HP motor
- 48 oz. polycarbonate jar
- Heavy-duty stainless steel blade
- User-replaceable drive coupling designed for durability and simple replacement
- Limited one-year warranty

### Great for:

- Blending bar drinks, smoothies and soups
- Crushing ice for frozen drinks
- Chopping salsas and dips

\*Made in USA with US and foreign parts.

### ELECTRICAL

Voltage: 120

Frequency: 50/60Hz

Watts: 360

Plug Type: NEMA 5-15P 

Cord Length: 6 feet



### SALES FEATURES

Powerful and versatile, the BevBasix™ Commercial Blender covers all the beverage basics. Blend up to 25 drinks daily, from smoothies to daiquiris to margaritas, plus crush ice and create a variety of dips, salsas, and soups. The ½ HP motor ensures high performance, and toggle switches make it easy to change speeds from HI and LO.



@waringcommercial

©2022 Waring Commercial  
314 Ella T. Grasso Avenue, Torrington, CT 06790  
Tel. 800-492-7464 • Fax 860-496-9008

waringcommercialproducts.com

BevBasix™ Commercial Bar Blender with 48 oz. Polycarbonate Container

BB145



### PARTS & ACCESSORIES

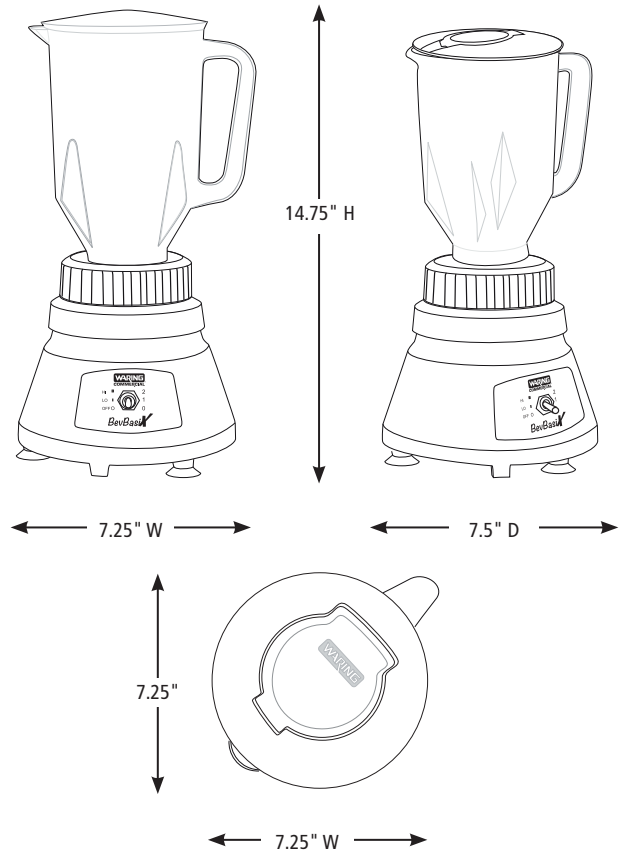


**CAC29** 48 oz. polycarbonate blender jar for BB145 Series



**CAC37** 32 oz. stainless steel jar for BB145 Series

### DIMENSIONS



Out of Box Weight: 4.6 lb.

ORDERING INFORMATION	#STD. PKG.	GIFTBOX WEIGHT	CUBIC FEET	BOX DIMENSIONS D X W X H	UPC	CASE PKG.	MC WEIGHT	MC DIMENSIONS D X W X H	MBC
BB145 – BevBasix™ Commercial Bar Blender with 48 oz. Polycarbonate Container	1	6.95	.626	9.95" x 8" x 13.875"	040072093890	1	6.95	9.95" x 8" x 13.875"	10040072093897



@waringcommercial

©2022 Waring Commercial  
 314 Ella T. Grasso Avenue, Torrington, CT 06790  
 Tel. 800-492-7464 • Fax 860-496-9008

waringcommercialproducts.com

22WC082945 / REV 06/22