



STAINLESS STEEL  
**REGALINE SINKS**  
 One Compartment - Two Drainboards



**93 & 9 SERIES**  
 Adjustable Side  
 Cross-Bracing



**94 SERIES**  
 Adjustable Side &  
 Front Cross-Bracing



Item #: \_\_\_\_\_ Qty #: \_\_\_\_\_

Model #: \_\_\_\_\_

Project #: \_\_\_\_\_



93 & 9 Series Adjustable  
 Side Cross-Bracing



94 Series Adjustable  
 Side & Front Cross-Bracing



Recessed Bowl Surface  
 Accommodates Poly-Vance  
 Cutting Boards & Sink Covers

**YES! It's SeaLess!**

**FEATURES:**

Tile edge for ease of installation.

One piece **Deep Drawn** sink bowls with integral drainboards with splash.

Featuring the single bowl unit design.

All sink bowls have a large liberal 3" radius.

**"94" Series** is supplied with adjustable front and side cross braces featuring leg clamps.

**"93" & "9" Series** is supplied with adjustable side cross braces featuring leg clamps.

**CONSTRUCTION:**

All TIG welded.

Welded areas blended to match adjacent surfaces and to a satin finish.

**MATERIALS:**

**Spec-Line (94 Series):** 14 gauge type 304 stainless steel  
 11" High Splash.

**Standard (93 Series):** 16 gauge type 304 stainless steel  
 8" High Splash.

**Super Saver (9 Series):** 18 gauge type 304 stainless steel  
 8" High Splash.

- LEGS:**
- 1 5/8" diameter tubular stainless steel.
  - Stainless steel gussets.
  - Stainless Steel 1" adjustable bullet feet.

Bowl Size	O.A. Length	DRBD. Size	SPEC-LINE 94 Series		STANDARD 93 Series		SUPER SAVER 9 Series		Cu. Ft.
			Model #	WT.	Model #	WT.	Model #	WT.	
<b>16" x 20"</b>	54"	18"	<b>14 Ga. 304 S/S</b> 14" Water Level		<b>16 Ga. 304 S/S</b> 12" Water Level		<b>18 Ga. 304 S/S</b> 12" Water Level		
	66"	24"	94-1-24-18RL	97 lbs.	93-1-24-18RL	82 lbs.	9-1-24-18RL	71 lbs.	29
	90"	36"*	94-1-24-24RL	118 lbs.	93-1-24-24RL	95 lbs.	9-1-24-24RL	95 lbs.	33
<b>20" x 20"</b>	58"	18"	94-1-24-36RL	164 lbs.	93-1-24-36RL	134 lbs.	9-1-24-36RL	134 lbs.	48
	70"	24"	94-21-20-18RL	95 lbs.	93-21-20-18RL	78 lbs.	9-21-20-18RL	78 lbs.	26
	94"	36"*	94-21-20-24RL	117 lbs.	93-21-20-24RL	92 lbs.	9-21-20-24RL	92 lbs.	34
<b>18" x 24"</b>	74"	24"	94-21-20-36RL	168 lbs.	93-21-20-36RL	147 lbs.	9-21-20-36RL	147 lbs.	50
	56"	18"	N/A		93-61-18-18RL	138 lbs.	9-61-18-18RL	138 lbs.	29
	68"	24"	N/A		93-61-18-24RL	150 lbs.	9-61-18-24RL	150 lbs.	43
<b>24" x 24"</b>	92"	36"*	N/A		93-61-18-36RL	180 lbs.	9-61-18-36RL	180 lbs.	67
	74"	24"	94-41-24-24RL	213 lbs.	93-41-24-24RL	185 lbs.	9-41-24-24RL	185 lbs.	48
	98"	36"*	94-41-24-36RL	252 lbs.	93-41-24-36RL	210 lbs.	9-41-24-36RL	210 lbs.	64
<b>20" x 28"</b>	58"	18"	94-81-20-18RL	173 lbs.	93-81-20-18RL	150 lbs.	9-81-20-18RL	150 lbs.	46
	70"	24"	94-81-20-24RL	186 lbs.	93-81-20-24RL	165 lbs.	9-81-20-24RL	165 lbs.	55
	94"	36"*	94-81-20-36RL	225 lbs.	93-81-20-36RL	195 lbs.	9-81-20-36RL	195 lbs.	73
* Regalines with 36" Drainboards are Supplied with Two Additional Legs (per drainboard) for Support.			14" Water Level 18" Flood Level		12" Water Level 16" Flood Level		12" Water Level 16" Flood Level		

Weights & Cubes Are Approximate



Customer Service Available To Assist You **1-800-645-3166** 8:30 am - 7:00 pm E.S.T.

For Orders & Customer Service:

Email: customer@advancetabco.com or Fax: 631-242-6900

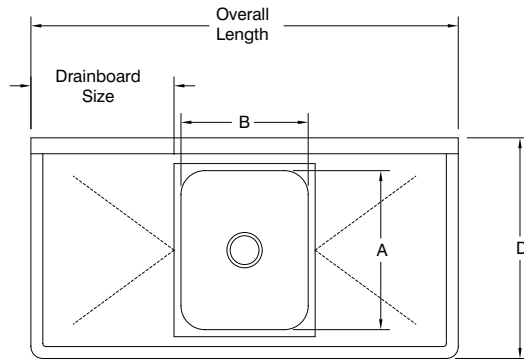
For Smart Fabrication™ Quotes:

Email: smartfab@advancetabco.com or Fax: 631-586-2933

# DIMENSIONS and SPECIFICATIONS

TOL Overall: ± .500"  
Interior: ± .250"

ALL DIMENSIONS ARE TYPICAL

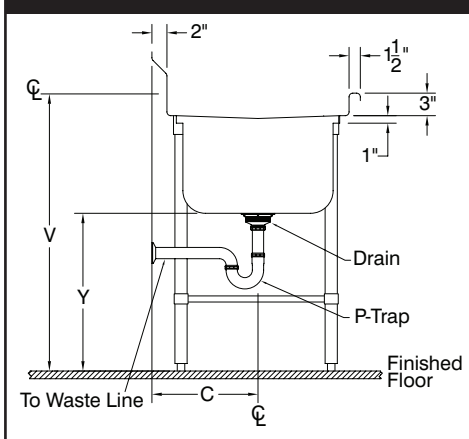


## DESCRIPTION

DESCRIPTION								94 SERIES					9 & 93 SERIES				
BOWL SIZE	Overall Length	DRBD SIZE	Recommended Use	A	B	C	D	V	W	X	Y	Z	V	W	X	Y	Z
16"x20"	54"	18"	DISH SINKS	20"	16"	14 1/8"	28"	38"	11"	14"	19"	45"	38"	8"	12"	21"	42"
	66"	24"															
	90"	*36"															
20"x20"	58"	18"	DISH & POT SINKS	20"	20"	14 1/8"	28"	38"	11"	14"	19"	45"	38"	8"	12"	21"	42"
	70"	24"															
	94"	*36"															
18"x24"	56"	18"	POT & PAN SINKS	24"	18"	16 1/8"	32"	38"	11"	14"	19"	45"	38"	8"	12"	21"	42"
	68"	24"															
	92"	*36"															
24"x24"	74"	24"	POT SINKS	24"	24"	16 1/8"	32"	38"	11"	14"	19"	45"	38"	8"	12"	21"	42"
	98"	*36"															
20"x28"	58"	18"	PAN SINKS	28"	20"	18 1/8"	36"	38"	11"	14"	19"	45"	38"	8"	12"	21"	42"
	70"	24"															
	94"	*36"															

\* Regalines with 36" Drainboards are Supplied with Two Sets of Legs for Support.

## PLUMBING ROUGH-IN



## MECHANICAL:

- Supply is 1/2" IPS hot & cold.
- Faucet holes on 8" centers.
- Faucets are not included (see accessories).
- Waste drains are 1 1/2" IPS S/S basket type, located in center of sink bowl, and are included.



## SECTION

