



STAINLESS STEEL  
**REGALINE SINKS**  
 Four Compartments - Two Drainboards



**93 & 9 SERIES**  
Adjustable Side  
Cross-Bracing



**94 SERIES**  
Adjustable Side &  
Front Cross-Bracing

**YES! It's SeaLess!**



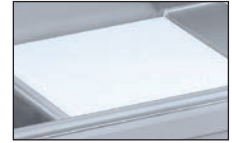
Item #: \_\_\_\_\_ Qty #: \_\_\_\_\_  
 Model #: \_\_\_\_\_  
 Project #: \_\_\_\_\_



93 & 9 Series Adjustable  
Side Cross-Bracing



94 Series Adjustable  
Side & Front Cross-Bracing



Recessed Bowl Surface  
Accommodates Poly-Vance  
Cutting Boards & Sink Covers

**FEATURES:**

Tile edge for ease of installation.

One piece **Deep Drawn** sink bowls with integral drainboards with splash.

All sink bowls have a large liberal 3" radius.

"94" Series is supplied with adjustable front and side cross braces featuring leg clamps.

"93" & "9" Series is supplied with adjustable side cross braces featuring leg clamps.

**CONSTRUCTION:**

All TIG welded.

Welded areas blended to match adjacent surfaces and to a satin finish.

**MATERIALS:**

**Spec-Line (94 Series):** 14 gauge type 304 stainless steel  
11" High Splash.

**Standard (93 Series):** 16 gauge type 304 stainless steel  
8" High Splash.

**Super Saver (9 Series):** 18 gauge type 304 stainless steel  
8" High Splash.

- LEGS:**
- 1 5/8" diameter tubular stainless steel.
  - Stainless steel gussets.
  - Stainless Steel 1" adjustable bullet feet.

Bowl Size	O.A. Length	DRBD. Size	SPEC-LINE 94 Series		STANDARD 93 Series		SUPER SAVER 9 Series		Cu. Ft.
			Model #	WT.	Model #	WT.	Model #	WT.	
<b>16" x 20"</b>	110"	18"	<b>14 Ga. 304 S/S</b> 14" Water Level		<b>16 Ga. 304 S/S</b> 12" Water Level		<b>18 Ga. 304 S/S</b> 12" Water Level		
	122"	24"	94-4-72-18RL	210 lbs.	93-4-72-18RL	183 lbs.	9-4-72-18RL	175 lbs.	58
	146"	36"*	94-4-72-24RL	275 lbs.	93-4-72-24RL	252 lbs.	9-4-72-24RL	241 lbs.	64
<b>20" x 20"</b>	126"	18"	94-4-72-36RL	313 lbs.	93-4-72-36RL	287 lbs.	9-4-72-36RL	274 lbs.	86
	138"	24"	94-24-80-18RL	293 lbs.	93-24-80-18RL	268 lbs.	9-24-80-18RL	259 lbs.	87
	162"	36"*	94-24-80-24RL	312 lbs.	93-24-80-24RL	286 lbs.	9-24-80-24RL	275 lbs.	95
<b>18" x 24"</b>	154"	36"*	94-24-80-36RL	351 lbs.	93-24-80-36RL	322 lbs.	9-24-80-36RL	308 lbs.	111
	118"	18"	N/A		93-64-72-18RL	346 lbs.	9-64-72-18RL	336 lbs.	82
	130"	24"	N/A		93-64-72-24RL	355 lbs.	9-64-72-24RL	344 lbs.	90
<b>24" x 24"</b>	154"	24"	N/A		93-64-72-36RL	392 lbs.	9-64-72-36RL	378 lbs.	106
	178"	36"*	94-44-96-24RL	395 lbs.	93-44-96-24RL	361 lbs.	9-44-96-24RL	348 lbs.	106
	178"	36"*	94-44-96-36RL	431 lbs.	93-44-96-36RL	398 lbs.	9-44-96-36RL	382 lbs.	122
<b>20" x 28"</b>	126"	18"	94-84-80-18RL	382 lbs.	93-84-80-18RL	361 lbs.	9-84-80-18RL	350 lbs.	97
	138"	24"	94-84-80-24RL	402 lbs.	93-84-80-24RL	374 lbs.	9-84-80-24RL	361 lbs.	106
	162"	36"*	94-84-80-36RL	442 lbs.	93-84-80-36RL	411 lbs.	9-84-80-36RL	395 lbs.	124
* Regalines with 36" Drainboards are Supplied with Two Additional Legs (per drainboard) for Support.			14" Water Level 18" Flood Level		12" Water Level 16" Flood Level		12" Water Level 16" Flood Level		

All Sinks Require Two Faucets

Weights & Cubes Are Approximate



Customer Service Available To Assist You **1-800-645-3166** 8:30 am - 7:00 pm E.S.T.

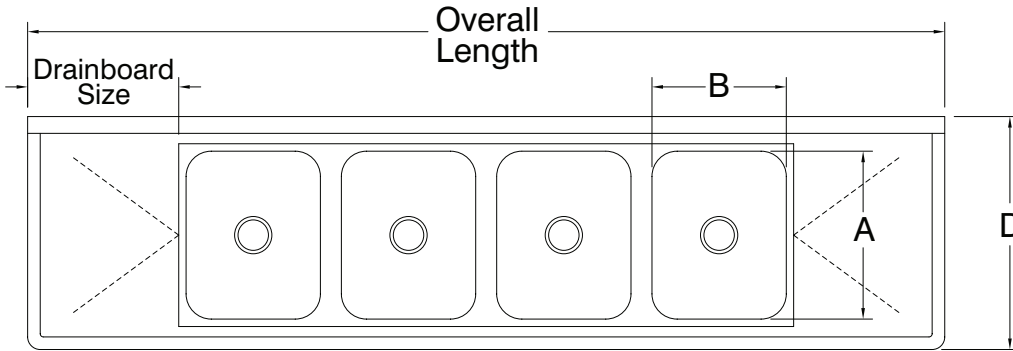
For Orders & Customer Service:  
 Email: customer@advancetabco.com or Fax: 631-242-6900

For Smart Fabrication™ Quotes:  
 Email: smartfab@advancetabco.com or Fax: 631-586-2933

# DIMENSIONS and SPECIFICATIONS

TOL Overall: ± .500"  
Interior: ± .250"

ALL DIMENSIONS ARE TYPICAL



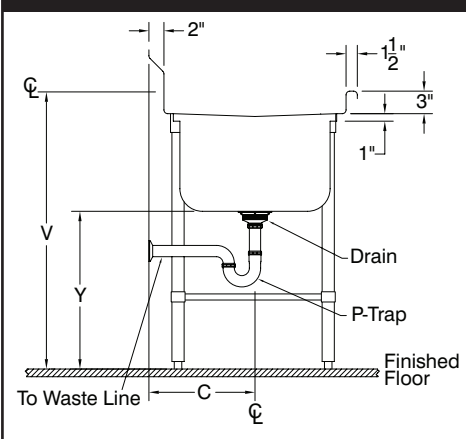
## DESCRIPTION

BOWL SIZE	Overall Length	DRBD SIZE	Recommended Use	A	B	C	D	94 SERIES					9 & 93 SERIES				
								V	W	X	Y	Z	V	W	X	Y	Z
16"x20"	110"	18"	DISH SINKS	20"	16"	14 1/8"	28"	38"	11"	14"	19"	45"	38"	8"	12"	21"	42"
	122"	24"															
	146"	*36"															
20"x20"	126"	18"	DISH & POT SINKS	20"	20"	14 1/8"	28"	38"	11"	14"	19"	45"	38"	8"	12"	21"	42"
	138"	24"															
	162"	*36"															
18"x24"	118"	18"	POT & PAN SINKS	24"	18"	16 1/8"	32"	38"	11"	14"	19"	45"	38"	8"	12"	21"	42"
	130"	24"															
	154"	*36"															
24"x24"	154"	24"	POT SINKS	24"	24"	16 1/8"	32"	38"	11"	14"	19"	45"	38"	8"	12"	21"	42"
	178"	*36"															
20"x28"	126"	18"	PAN SINKS	28"	20"	18 1/8"	36"	38"	11"	14"	19"	45"	38"	8"	12"	21"	42"
	138"	24"															
	162"	*36"															

All Sinks Require Two Faucets

\* Regalines with 36" Drainboards are Supplied with Two Additional Legs (per drainboard) for Support.

## PLUMBING ROUGH-IN



## MECHANICAL:

- Supply is 1/2" IPS hot & cold.
- Faucet holes on 8" centers.
- Faucets are not included (see accessories).
- Waste drains are 1 1/2" IPS S/S basket type, located in center of sink bowl, and are included.



## SECTION

