



STAINLESS STEEL
REGALINE SINKS
Four Compartments - One Drainboard
 (Specify Drainboard Location)



93 & 9 SERIES
Adjustable Side Cross-Bracing



94 SERIES
Adjustable Side & Front Cross-Bracing

YES! It's SeaLess!



Item #: _____ Qty #: _____

Model #: _____

Project #: _____



93 & 9 Series Adjustable Side Cross-Bracing



94 Series Adjustable Side & Front Cross-Bracing



Recessed Bowl Surface Accommodates Poly-Vance Cutting Boards & Sink Covers

FEATURES:

Tile edge for ease of installation.

One piece **Deep Drawn** sink bowls with integral drainboards with splash.

All sink bowls have a large liberal 3" radius.

"94" Series is supplied with adjustable front and side cross braces featuring leg clamps.

"93" & "9" Series is supplied with adjustable side cross braces featuring leg clamps.

CONSTRUCTION:

All TIG welded.

Welded areas blended to match adjacent surfaces and to a satin finish.

MATERIALS:

Spec-Line (94 Series): 14 gauge type 304 stainless steel
11" High Splash.

Standard (93 Series): 16 gauge type 304 stainless steel
8" High Splash.

Super Saver (9 Series): 18 gauge type 304 stainless steel
8" High Splash.

- LEGS:**
- 1 5/8" diameter tubular stainless steel.
 - Stainless steel gussets.
 - Stainless Steel 1" adjustable bullet feet.

Bowl Size	O.A. Length	DRBD. Size	SPEC-LINE 94 Series		STANDARD 93 Series		SUPER SAVER 9 Series		Cu. Ft.
			Model #	WT.	Model #	WT.	Model #	WT.	
16" x 20"	95"	18"	14 Ga. 304 S/S 14" Water Level		16 Ga. 304 S/S 12" Water Level		18 Ga. 304 S/S 12" Water Level		
	101"	24"	94-4-72-18R or L	202 lbs.	93-4-72-18R or L	165 lbs.	9-4-72-18R or L	158 lbs.	52
	113"	36"*	94-4-72-24R or L	216 lbs.	93-4-72-24R or L	186 lbs.	9-4-72-24R or L	175 lbs.	54
20" x 20"	111"	18"	94-4-72-36R or L	260 lbs.	93-4-72-36R or L	238 lbs.	9-4-72-36R or L	227 lbs.	60
	117"	24"	94-24-80-18R or L	299 lbs.	93-24-80-18R or L	241 lbs.	9-24-80-18R or L	229 lbs.	61
	129"	36"*	94-24-80-24R or L	320 lbs.	93-24-80-24R or L	250 lbs.	9-24-80-24R or L	239 lbs.	82
18" x 24"	129"	36"*	94-24-80-36R or L	341 lbs.	93-24-80-36R or L	267 lbs.	9-24-80-36R or L	250 lbs.	90
	103"	18"	N/A		93-64-72-18R or L	329 lbs.	9-64-72-18R or L	318 lbs.	72
	109"	24"	N/A		93-64-72-24R or L	338 lbs.	9-64-72-24R or L	329 lbs.	76
24" x 24"	121"	36"*	N/A		93-64-72-36R or L	353 lbs.	9-64-72-36R or L	341 lbs.	84
	133"	24"	94-44-96-24R or L	354 lbs.	93-44-96-24R or L	336 lbs.	9-44-96-24R or L	327 lbs.	92
	145"	36"*	94-44-96-36R or L	376 lbs.	93-44-96-36R or L	355 lbs.	9-44-96-36R or L	344 lbs.	100
20" x 28"	111"	18"	94-84-80-18R or L	348 lbs.	93-84-80-18R or L	329 lbs.	9-84-80-18R or L	317 lbs.	87
	117"	24"	94-84-80-24R or L	364 lbs.	93-84-80-24R or L	337 lbs.	9-84-80-24R or L	329 lbs.	91
	129"	36"*	94-84-80-36R or L	382 lbs.	93-84-80-36R or L	355 lbs.	9-84-80-36R or L	347 lbs.	100
* Regalines with 36" Drainboards are Supplied with Two Additional Legs (per drainboard) for Support.			14" Water Level 18" Flood Level		12" Water Level 16" Flood Level		12" Water Level 16" Flood Level		

All Sinks Require Two Faucets

Weights & Cubes Are Approximate



Customer Service Available To Assist You **1-800-645-3166** 8:30 am - 7:00 pm E.S.T.

For Orders & Customer Service:
 Email: customer@advancetabco.com or Fax: 631-242-6900

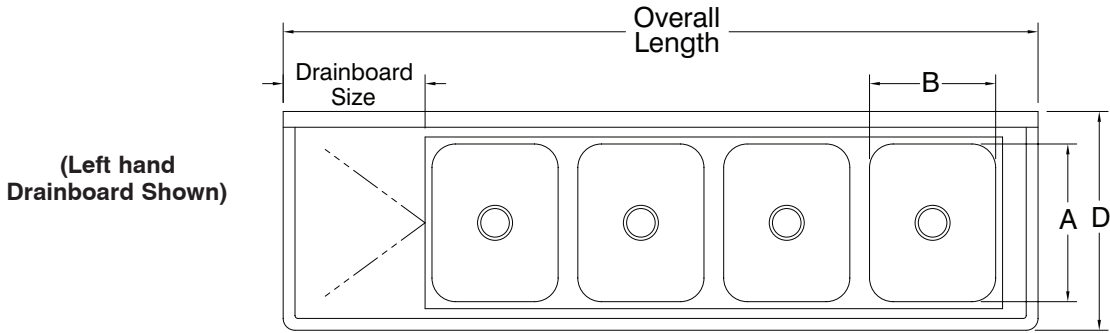
For Smart Fabrication™ Quotes:
 Email: smartfab@advancetabco.com or Fax: 631-586-2933

DIMENSIONS and SPECIFICATIONS

TOL Overall: ± .500"
Interior: ± .250"

ALL DIMENSIONS ARE TYPICAL

(SPECIFY DRAINBOARD LOCATION)



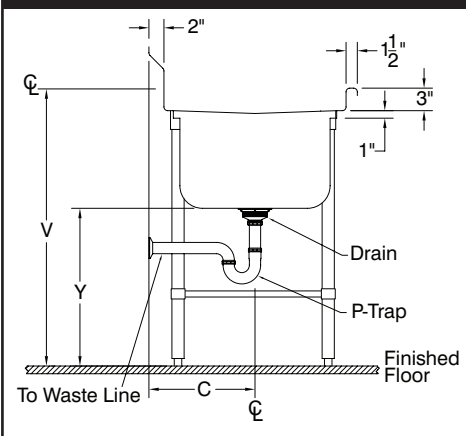
DESCRIPTION

DESCRIPTION								94 SERIES					9 & 93 SERIES				
BOWL SIZE	Overall Length	DRBD SIZE	Recommended Use	A	B	C	D	V	W	X	Y	Z	V	W	X	Y	Z
16"x20"	95"	18"	DISH SINKS	20"	16"	14 1/8"	28"	38"	11"	14"	19"	45"	38"	8"	12"	21"	42"
	101"	24"															
	113"	*36"															
20"x20"	111"	18"	DISH & POT SINKS	20"	20"	14 1/8"	28"	38"	11"	14"	19"	45"	38"	8"	12"	21"	42"
	117"	24"															
	129"	*36"															
18"x24"	103"	18"	POT & PAN SINKS	24"	18"	16 1/8"	32"	38"	11"	14"	19"	45"	38"	8"	12"	21"	42"
	109"	24"															
	121"	*36"															
24"x24"	133"	18"	POT SINKS	24"	24"	16 1/8"	32"	38"	11"	14"	19"	45"	38"	8"	12"	21"	42"
	145"	*36"															
20"x28"	111"	18"	PAN SINKS	28"	20"	18 1/8"	36"	38"	11"	14"	19"	45"	38"	8"	12"	21"	42"
	117"	24"															
	129"	*36"															

All Sinks Require Two Faucets

* Regalines with 36" Drainboards are Supplied with Two Additional Legs (per drainboard) for Support.

PLUMBING ROUGH-IN



MECHANICAL:

- Supply is 1/2" IPS hot & cold.
- Faucet holes on 8" centers.
- Faucets are not included (see accessories).
- Waste drains are 1 1/2" IPS S/S basket type, located in center of sink bowl, and are included.



SECTION

