



Simply Engineered Better

Project _____

Item No. _____

Quantity _____

SW GLASSWASHING MACHINE

SW

Pass Through Fully Automatic Glasswashing Machine



SW600

SW400

STANDARD FEATURES

- **Highest capacity**, cleans and sanitizes **2,000 glasses per hour**
- Cool water final rinse ensures steady supply of clean, cool glasses ready for immediate use, reducing labor and breakage
- No steam generated behind the bar
- Automatic operation glass activated shut-off switch
- **Upper** and **lower** wash and rinse arms
- Built-in three pump injection system uses iodine or chlorine sanitizer
- Cabinet provides convenient storage for chemicals
- Polypropylene belt conveyor eliminates chipping of stemware
- Right-to-left or left-to-right operation (must specify)
- Include 6' NEMA 6-15p cord and plug
- One year parts and 90 day labor warranty

SPECIFIER STATEMENT

Specified unit will be Moyer Diebel model SW400 or SW600 pass-through conveyor type glasswasher.

Features include detergent, sanitizer and rinse aid pump, upper & lower wash/rinse arms, cold water final rinse, polypropylene conveyor, two splash curtains, processes 2,000 glasses/hr.

Warranty: 1 year parts, 90 day labor.



OPTIONS & ACCESSORIES

- | | |
|---|-------------|
| <input type="checkbox"/> SW12 – S/S splash guards for SW400 | P/N 0702877 |
| <input type="checkbox"/> SW24 – S/S splash guards for SW600 | P/N 0702878 |
| <input type="checkbox"/> SW48 – S/S back panel for SW400 | P/N 0702882 |
| <input type="checkbox"/> SW72 – S/S back panel for SW600 | P/N 0702886 |
| <input type="checkbox"/> Kit 264 – Washdown hose | P/N 0701956 |
| <input type="checkbox"/> Kit 332 – Casters; set of 4, 2 locking, 2 stationary | P/N 0701962 |
| <input type="checkbox"/> Site Glass kit | P/N 0712993 |
| <input type="checkbox"/> SW47 – Drain Tray Waste Collector | |

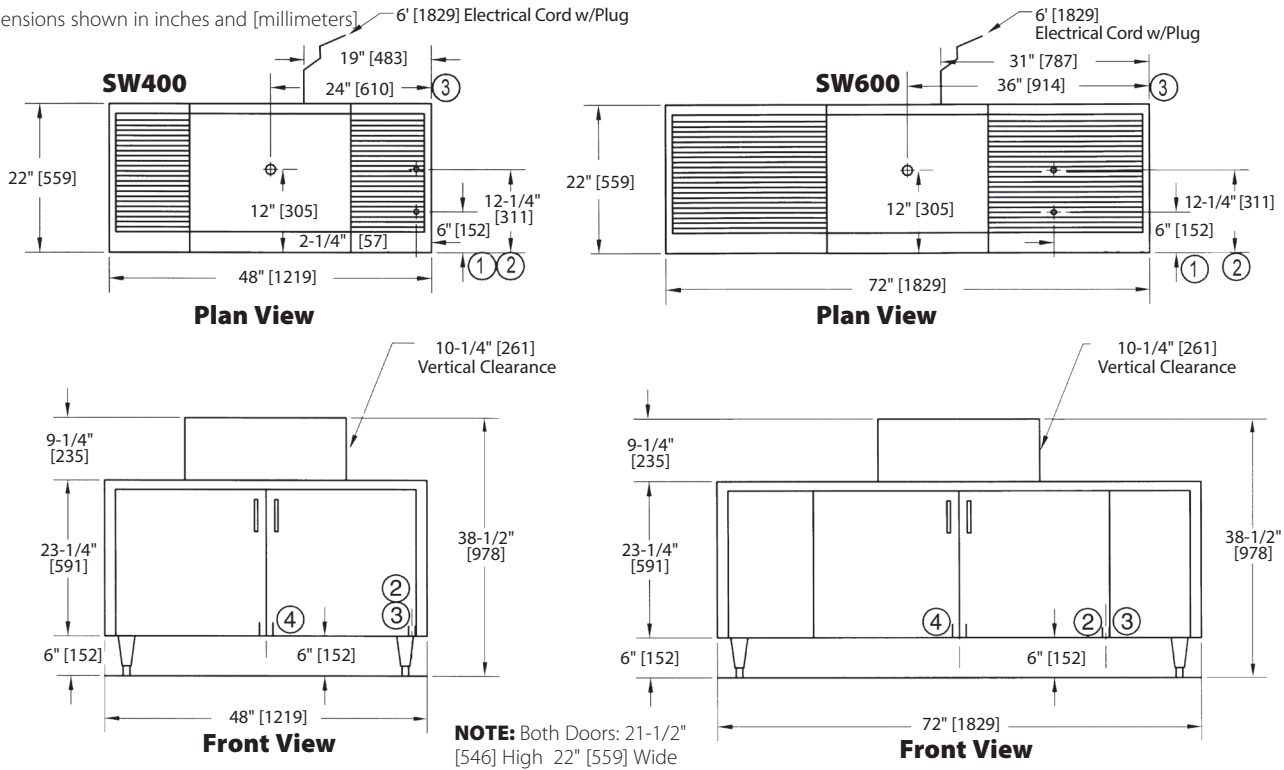
MD007 Printed in USA

Moyer Diebel – USA

3765 Champion Blvd, Winston-Salem, NC 27105 Tel: 336/661-1992 Fax: 336/661-1979 800/228-8350

www.moyerdiebel.com

Dimensions shown in inches and [millimeters]



UTILITIES

| | |
|--------------------------------|--|
| 1 Electrical | 208 - 230/60/1, 15 amp (Supplied with 4ft. [1219] plug-in cord NEMA6-15P) |
| 2 Hot Water Connection | 1/2" IPS. Flow pressure 25-95 psi (173-656 kPa) |
| 3 Cold Water Connection | 1/2" IPS. Flow pressure 25-95 psi (173-656 kPa) |
| 4 Drain Connection | 1/2" IPS. Flow pressure 25-95 psi (173-656 kPa) 1-1/2" tailpiece. Connect to drain size according to local plumbing code. |

| | Uncrated | | Crated | |
|------------------------|---------------|---------------|---------------|----------------|
| | SW400 | SW600 | SW400 | SW600 |
| Height* | 38-1/2" [978] | 38-1/2" [978] | 49" [1244] | 49" [1244] |
| Width | 48" [1219] | 72" [1882] | 53" [1346] | 76-1/2" [1942] |
| Depth | 22" [559] | 22" [559] | 27-1/2" [698] | 27-1/2" [698] |
| Ship Wt. lbs/kg | 225/102 | 285/129 | 255/115 | 325/147 |

* Adjustable foot height - 1-1/4" [32]

Moyer Diebel - USA
3765 Champion Blvd., NC 27105
336/661-1979 • Fax: 336/661-1979
www.moyerdiebel.com

SPECIFICATIONS

| | | |
|--------------------------|------------------------------|--------------|
| Capacity | 2-1/2" glasses/hr. | 2,000 |
| Water Consumption | Cold water | 2.8 US gpm |
| | Hot water (initial fill) | 3 US gallons |
| | (Max. use-approx. 10 US gph) | |
| Temperatures °F | Inlet water (hot) | 140-160 |
| | Inlet water (cold) | 75 |
| Heating | Tank heat, electric (kW) | 3 |
| Conveyor | Speed inches | 14 |

Warning: Plumbing and electrical connections should be made by qualified personnel who will observe all the applicable plumbing, sanitary and safety codes.
Due to an ongoing value analysis program at Moyer Diebel, specifications in this catalog are subject to change without notice.