

 **COMFORTABLE**

 **LIGHTWEIGHT**

 **MODERN**



**8700 Series | VINYL SEAT**

**8800 Series | POLY SEAT**



**3 HEIGHTS AVAILABLE**

**DINING HEIGHT** 

**COUNTER HEIGHT** 

**BAR HEIGHT** 

# CAFETORIUM MODEL OPTIONS

8700 Series  
**VINYL**  
Seat



*Welded Crossbar for  
Extra Reinforcement*



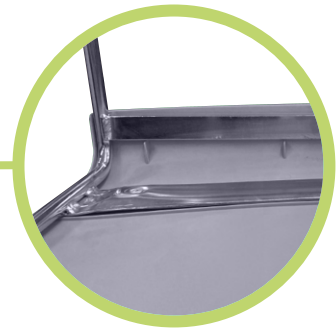
*Seating in Comfortable,  
Plush Vinyl*



CAL-117  
RATED



*Seating in Comfortable,  
Durable Poly*



*Concealed Welded Crossplate  
for Extra Reinforcement*

8800 Series  
**POLY**  
Seat

**8700 Series | Stack Chairs**

**PADDED CAFETORIUM CHAIRS & STOOLS**

*Ergonomically designed to provide maximum comfort, easy to clean offering a practical seating solution for any environment.*



**8700 Dining Chair**  
18" SEAT HEIGHT

**8700C Counter Stool**  
24" SEAT HEIGHT



**8700B Bar Stool**  
30" SEAT HEIGHT



**Standard Colors**



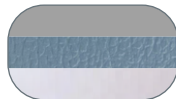
Custom Color Options Available!



**Blue Back and Seat Black Frame**  
8704-10-04

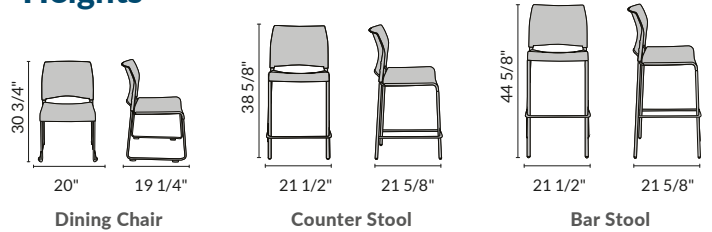


**Black Back and Seat Chrome Frame**  
Dining Height: 8710-11-10  
Counter Height: 8710C-11-10  
Bar Height: 8710B-11-10

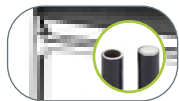


**Grey Back and Blue Seat Silver Frame**  
8742-12-02

**Heights**



**Features**



"Rod In Tube" Design



Glides Function as Built-In Gangers for Multi Chair Setup



Polypropylene Plastic Back Design Provides Ergonomic Support



Comfortable Upholstered Plush Vinyl Seat



Glides Are Made of TPU For Sensitive Floors



Plastic Stacking Bumpers on Stool Options



Welded Footrest on Stool Options



7/8" Leg Tubing on Stool Options



**DY-87**  
for Dining Height



stacks **35** CHAIRS

**DY-87B**  
for Counter and Bar Height



stacks **24** STOOLS







**8800 Series | Stack Chairs**

**POLY CAFETORIUM CHAIRS & STOOLS**

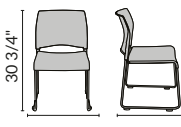
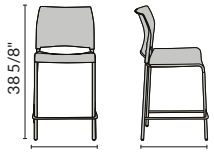
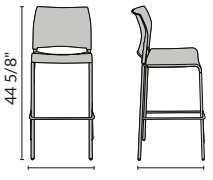
*Ergonomically designed to provide maximum comfort, easy to clean offering a practical seating solution for any environment*



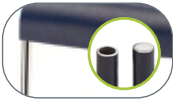







**Standard Colors**  *Custom Color Options Available!*

		
<b>Blue Back and Seat Chrome Frame</b> 8804-10-04	<b>Black Back and Seat Chrome Frame</b> Dining Height: 8810-11-10 Counter Height: 8810C-11-10 Bar Height: 8810B-11-10	<b>Charcol Back and Seat Chrome Frame</b> 8820-11-20

**Heights**

		
30 3/4" 20" 19 1/4" <b>Dining Chair</b>	38 5/8" 21 1/2" 21 5/8" <b>Counter Stool</b>	44 5/8" 21 1/2" 21 5/8" <b>Bar Stool</b>

**Features**

 <b>"Rod In Tube" Design</b>	 Glides Function as Built-In Gangers for Multi Chair Setup	 Polypropylene Plastic Back and Seat Design Provides Ergonomic Support	 Comfortable and Durable Poly Seat
 Glides Are Made of TPU For Sensitive Floors	 Plastic Stacking Bumpers on Stool Options	 Welded Footrest on Stool Options	 7/8" Leg Tubing on Stool Options

 Compatible with DOLLY	 <b>DY-87</b> for Dining Height 35 CHAIRS	 <b>DY-87B</b> for Counter and Bar Height 24 STOOLS
 <b>500 lbs</b> TESTED BY BUREAU VERITAS	 10 Year Warranty	 BIFMA INTERNATIONAL ANSI CERTIFIED GREEN
 24 HOUR QUICK SHIP		

## Custom Color Options

300 Chair MOQ and Extended Lead Times Apply

### Frame Colors



White  
01



Black  
10



Chrome  
11



Silver  
12



Soft Grey  
20

### Poly



P01



P02



P04



P05



P06



P07



P09



P10



P11



P12



P13



P14



P15



P16



P17



P20



P22



P23



P24



P25



P26



P27

### Vinyl



V03



V04



V05



V06



V07



V08



V10



V11



V12



V13



V42

### Fabric



F01



F02



F03



F04



F05



F06



F07



F08



F09



F11



F12



F13



F14



F15



F16



F17



F18



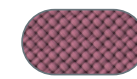
F19



F20



F21



F22



F23



F24



F25



F26



F27



F28



### 8700/8800 Custom Configuration

Model Number

Frame Color

**8700\*** **PXX-XX-PXX**

\*Add B for Bar Height or C for Counter Height

Seat Color

Back Color/Vinyl/Fabric