



ICE MERCHANDISERS



**We're With You Every
Degree Of The Way**





ABOUT LEER

Through decades of commitment to product development, customer service and a relentless focus on American-made manufacturing excellence, Leer has continued to shape and drive innovation in the temperature-controlled storage industry. We're dedicated to the success of all our customers - be that customers of our iconic white Ice Merchandisers, Ice Vending Machines, Refrigerated Transports, Reach-In Storage Freezers, or our custom-built Walk-In Coolers & Freezers.

We'd be honored to earn your business and become your trusted partner in temperature-controlled storage solutions. When you buy from Leer, you're not just buying our products but a commitment from all of us and that's a promise to be with you every degree of the way. We're confident our products provide a value that cannot be beaten.

OUR MISSION

- To be your trusted partner in temperature-controlled storage solutions.
- To partner with our customers to design and develop the highest quality, innovative, temperature-controlled storage solutions to meet their ever-changing needs.
- To provide our customers exceptional quality and outstanding customer service at every stage of every interaction.
- To train and support all employee owners to produce products they can proudly label Made-In-The-USA.
- To promote safe and healthy work practices and environments that benefit all.

OUR VISION

We will exceed the highest expectations of our customers, employee owners, partners, shareholders and community by continually delivering the best possible American-made products. We're with you every *degree* of the way.

WE VALUE

- Building Trust
- Wowing Customers
- Constantly Improving
- Working Together
- Embracing Ownership

WHEN YOU BUY FROM LEER

- You have our lifetime support - we're with you every degree of the way.
- We're dedicated to delivering our products right the first time, right every time.
- Our products are intelligent-by-design because we know every degree matters.
- We're 100% employee owned - those employee owners make a distinctive difference because you have the commitment of not just one owner, but hundreds of owners.
- We have decades of commitment to product development and customer service with a relentless focus on manufacturing quality from America's heartland.

WE BELIEVE

- All stakeholders are valuable partners in delivering our vision and executing our mission, and are invested in doing both.
- In best intentions at all times, and taking a commonsense and practical path to address differences.

OUR FAMILY

We're a proud member of Dexter Apache Holdings, Inc. (dexterapache.com), a leading 100% employee-owned company with diverse business interests in the manufacturing, distribution, financial services and mission critical technology industries.

ICE MERCHANTISER LINEUP



INDOOR ICE MERCHANTISERS

For ice manufacturers, retail store owners, and special sites alike, Leer is the industry leader in innovation, quality, lead-time and reliability across our lineup of customizable indoor, outdoor, and specialty Ice Merchandisers.



FIND OUT MORE ON PAGE 4



OUTDOOR ICE MERCHANTISERS

For ice manufacturers, retail store owners, and special sites alike, Leer is the industry leader in innovation, quality, lead-time and reliability across our lineup of customizable outdoor, indoor, and specialty Ice Merchandisers.



FIND OUT MORE ON PAGE 20



PALLET LOAD ICE MERCHANTISERS

These innovative merchandisers are effortless to fill and make it possible to load entire pallets of ice in just minutes. The engineering efficiencies eliminate the need to load thousands of pounds of ice by hand.



FIND OUT MORE ON PAGE 41



INDOOR ICE MERCHANDISERS

1. LEER INC.

- **Your Partner in Temperature-Controlled Storage Solutions** - With over 65 years of industry expertise, innovation and focus on manufacturing excellence, we're confident our products feature industry leading efficiency, reliability, durability and longevity - delivering an unbeatable value to you and your company.
- **Made in Wisconsin, USA** - Manufactured under a strict quality control program to ensure our products are delivered right the first time, right every time.
- **Iconic Red Snow-Capped ICE Decals** - The trademarked ICE decals are a staple of the Packaged Ice Industry and Leer's unique signature that you can't get anywhere else.
- **We're With You Every Degree of the Way** - As an employee owned company, our success depends on your success. We stand behind our products and are dedicated to your success by providing free lifetime technical support. Our engineers and customer service teams are available to help, whether you're a potential new customer or a lifetime customer of Leer.

2. CONSTRUCTION FEATURES

- **Patented Construction Features** - All steel construction with no fasteners, welding, or adhesives. The offset seams are precision machine formed, resulting in water-tight lock-form seams that create a stronger and more durable merchandiser. This increases longevity by reducing moisture penetration into the insulation.
- **High R-Values** - Increased insulation to reduce heat infiltration into the unit - resulting in consistent and optimal temperatures of 16°F - 24°F. There's 2.5" of high-performance, eco-friendly, insulation in the ceiling and walls, and 3" of insulation in the floor.
- **Rust Resistant** - The exterior of the merchandiser is finished with a two-part primer/top coat all-weather paint to provide superior resistance to humidity, corrosion, and other weather conditions.

3. DOOR FEATURES

- **High-Impact Breaker Strip** - High-impact breaker strip, located around the perimeter of the door jamb, durable enough to withstand excessive wear and tear and provide a thermal break between the merchandiser interior and exterior.
- **Aluminum Door Frame** - The glass is encased in a long-lasting, durable, light-weight, aluminum frame.
- **Insulated Tempered Glass** - The doors contain argon-filled insulated tempered glass. The argon insulation decreases the merchandisers' U-Value, which is essentially the amount of solar heat transfer the glass allows into the unit.
- **Spring-Assisted Hinges** - The hinges are adjustable to ensure a lifetime of level, and solid sealing doors. Additionally, the springs help the door close securely and avoid accidentally being left open.
- **Chrome-Finish Hardware** - All hardware, including hinges and handles, have a chrome-finish to provide greater strength durability, resistance to corrosion, and aesthetics.
- **Large Door Openings** - Oversized door openings for increased view and accessibility of the ice, and ease of merchandising during restock.

4. INTERIOR FEATURES

- **High-End Interior Finish** - Bright white interior finish.
- **Interior Lighting** - Standard with energy efficient LED lighting to help showcase the ice.

5. REFRIGERATION FEATURES

- **Serviceability** - On Automatic Defrost units, the drop-down evaporator allows for easier troubleshooting, maintenance, and servicing.
- **Full Top and Compressor Cover** - Standard and provide air flow for better cooling of the condenser and compressor. It's also a layer of protection from harmful foreign objects.
- **Intelligent Electronic Controls** - Electronic controls feature a digital display, factory preset advanced custom settings, and built-in intelligence to ensure your merchandiser will consistently operate at the optimal settings for your environmental needs.



VIDEO LIBRARY leerinc.com/video-library





INDOOR ICE MERCHANDISERS

INDOOR ICE MERCHANDISERS



MODEL 30



MODEL 40



MODEL 60



MODEL 64



MODEL 65



MODEL 75



MODEL 85



MODEL 100



MODEL 115
CORNER
REFRIGERATION



MODEL 120



MODEL 150
CORNER
REFRIGERATION



MODEL 155

	Model 30	Model 40	Model 60	Model 64	Model 65	Model 75
STANDARD MODEL NUMBERS						
Auto Defrost - R404a:	L030UAGE	L040UAGE	L060UAGE	L064UAGE	L065UAGE	L075UAGE
Cold Wall - R404a:	L030UCGE	L040UCGE	L060UCGE	L064UCGE	L065UCGE	L075UCGE
Auto Defrost - R290:	L030UAGP	L040UAGP	L060UAGP	L064UAGP	L065UAGP	L075UAGP
Cold Wall - R290:	L030UCGP	L040UCGP	L060UCGP	L064UCGP	L065UCGP	L075UCGP
DIMENSIONS & CAPACITIES						
7 lb. Bags - Auto Defrost:	80	120	180	170	170	210
20 lb. Bags - Auto Defrost:	30	45	70	65	65	80
7 lb. Bags - Cold Wall:	80	130	200	190	190	230
20 lb. Bags - Cold Wall:	30	50	80	70	70	90
Approx. Interior Cubic Feet:	30	40	60	65	65	75
Dimensions (W" x D" x H"):	36 x 30 x 76.5	50.5 x 30 x 76.5	73 x 30 x 76.5	64 x 35.5 x 76.5	64 x 35.5 x 76.5	73 x 35.5 x 76.5
Door Size (W" x H"):	28 x 47	28 x 47	28 x 47	28 x 47	28 x 47	28 x 47
OPERATING TEMPERATURE						
(X°F - X°F):	16 - 24	16 - 24	16 - 24	16 - 24	16 - 24	16 - 24
Control:	Electronic Control	Electronic Control	Electronic Control	Electronic Control	Electronic Control	Electronic Control
PRODUCT WEIGHT						
Auto Defrost (lbs.):	345	405	545	490	490	585
Cold Wall (lbs.):	330	370	510	455	455	550
ELECTRICAL						
Voltage (V/Hz):	115 / 60	115 / 60	115 / 60	115 / 60	115 / 60	115 / 60
Min. Circuit Required (Amps):	15	15	15	15	15	15
Auto Defrost (Amps):	6.3	6.3	10	10	6.3	10
Cold Wall (Amps):	6.3	6.3	10	10	6.3	10
230V/50Hz Available:	Upon Request	Upon Request	Upon Request	Upon Request	Upon Request	Upon Request
OTHER						
Compressor (HP):	1/3	1/3	1/2	1/2	1/3	1/2
Refrigerant:	R404a, R290	R404a, R290	R404a, R290	R404a, R290	R404a, R290	R404a, R290
Certifications:	UL, cUL, CE	UL, cUL, CE	UL, cUL, CE	UL, cUL, CE	UL, cUL, CE	UL, cUL, CE
DOE Compliant:	Yes	Yes	Yes	Yes	Yes	Yes
CARB Compliant:	R290 Units	R290 Units	R290 Units	R290 Units	R290 Units	R290 Units
NSF Available:	Upon Request	Upon Request	Upon Request	Upon Request	Upon Request	Upon Request

	Model 85	Model 100	Model 115	Model 120	Model 150	Model 155
STANDARD MODEL NUMBERS						
Auto Defrost - R404a:	L085UAGE	L100UAGE	CR115UAGX	TD120UAGX	CR150UAGX	L155UAGE
Cold Wall - R404a:	L085UCGE	L100UCGE	N/A	N/A	N/A	N/A
Auto Defrost - R290:	L085UAGP	L100UAGP	CR115UAGP	TD120UAGP	CR150UAGP	L155UAGP
Cold Wall - R290:	L085UCGP	L100UCGP	N/A	N/A	N/A	N/A
DIMENSIONS & CAPACITIES						
7 lb. Bags - Auto Defrost:	230	260	290	310	360	390
20 lb. Bags - Auto Defrost:	90	100	110	120	140	150
7 lb. Bags - Cold Wall:	260	290	N/A	N/A	N/A	N/A
20 lb. Bags - Cold Wall:	100	110	N/A	N/A	N/A	N/A
Approx. Interior Cubic Feet:	85	100	115	120	150	155
Dimensions (W" x D" x H"):	84 x 35.5 x 76.5	94 x 35.5 x 76.5	72 x 48 x 75	72 x 48 x 88	96 x 48 x 75	96 x 48 x 88
Door Size (W" x H"):	28 x 47	28 x 47	28 x 47	28 x 47	28 x 47	28 x 47
OPERATING TEMPERATURE						
(X°F - X°F):	16 - 24	16 - 24	16 - 24	16 - 24	16 - 24	16 - 24
Control:	Electronic Control	Electronic Control	Electronic Control	Electronic Control	Electronic Control	Electronic Control
PRODUCT WEIGHT						
Auto Defrost (lbs.):	620	655	820	820	970	970
Cold Wall (lbs.):	590	605	N/A	N/A	N/A	N/A
ELECTRICAL						
Voltage (V/Hz):	115 / 60	115 / 60	115 / 60	115 / 60	115 / 60	115 / 60
Min. Circuit Required (Amps):	15	15	20	20	20	20
Auto Defrost (Amps):	10	10	13	13	13	13
Cold Wall (Amps):	10	10	N/A	N/A	N/A	N/A
230V/50Hz Available:	Upon Request	Upon Request	Upon Request	Upon Request	Upon Request	Upon Request
OTHER						
Compressor (HP):	1/2	1/2	3/4	3/4	3/4	3/4
Refrigerant:	R404a, R290	R404a, R290	R404a, R290	R404a, R290	R404a, R290	R404a, R290
Certifications:	UL, cUL, CE	UL, cUL, CE	UL, cUL	UL, cUL	UL, cUL	UL, cUL
DOE Compliant:	Yes	Yes	Yes	Yes	Yes	Yes
CARB Compliant:	R290 Units	R290 Units	R290 Units	R290 Units	R290 Units	R290 Units
NSF Available:	Upon Request	Upon Request	No	No	No	No

1. Height Includes Compressor
2. Add 3" to Depth for Condensate Evaporator Pan
3. Add 3" to Depth for Low Profile Raceway
4. Add 3.5" to Depth for Glass Door & Handle

5. Add 3" to Depth for Upright Solid Door & Handle
6. Add 1" to Depth for Slant Solid Door & Handle
7. Merchandiser storage capacities are approximate & may vary due to type of ice, bag size, and methods of loading.



MODEL 30

MODEL 40

PRODUCT SPECIFICATIONS

Standard Model Numbers

Auto Defrost – R404a:	L030UAGE
Cold Wall – R404a:	L030UCGE
Auto Defrost – R290:	L030UAGP
Cold Wall – R290:	L030UCGP

Dimensions & Capacities

7 lb. Bags - Auto Defrost:	80
20 lb. Bags - Auto Defrost:	30
7 lb. Bags - Cold Wall:	80
20 lb. Bags - Cold Wall:	30
Approx. Interior Cubic Feet:	30
Dimensions (W"xD"xH"):	36 x 30 x 76.5
Door Size (W"x H"):	28 x 47

Operating Temperature

(X°F - X°F):	16 -24
Control:	Electronic Control

Product Weight

Auto Defrost (lbs.):	345
Cold Wall (lbs.):	330

Electrical

Voltage (V/Hz):	115 / 60
Min. Circuit Required (Amps):	15
Auto Defrost (Amps):	6.3
Cold Wall (Amps):	6.3
230V/50Hz Available:	Upon Request

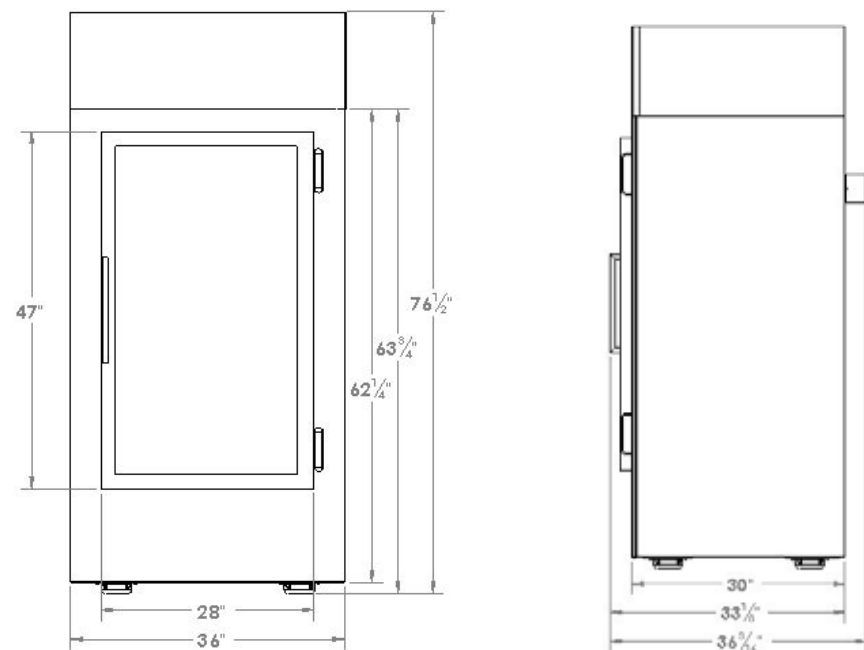
Other

Compressor (HP):	1/3
Refrigerant:	R404a, R290
Certifications:	UL, cUL, CE
DOE Compliant:	Yes
CARB Compliant:	Upon Request
NSF Available:	Upon Request

1. Height Includes Compressor
2. Add 3" to Depth for Condensate Evaporator Pan
3. Add 3" to Depth for Low Profile Raceway
4. Add 3.5" to Depth for Glass Door & Handle
5. Add 3" to Depth for Upright Solid Door & Handle
6. Add 1" to Depth for Slant Solid Door & Handle
7. Merchandiser storage capacities are approximate & may vary due to type of ice, bag size, and methods of loading.



DIMENSIONAL DRAWINGS



PRODUCT SPECIFICATIONS

Standard Model Numbers

Auto Defrost – R404a:	L040UAGE
Cold Wall – R404a:	L040UCGE
Auto Defrost – R290:	L040UAGP
Cold Wall – R290:	L040UCGP

Dimensions & Capacities

7 lb. Bags - Auto Defrost:	120
20 lb. Bags - Auto Defrost:	45
7 lb. Bags - Cold Wall:	130
20 lb. Bags - Cold Wall:	50
Approx. Interior Cubic Feet:	40
Dimensions (W"xD"xH"):	50.5 x 30 x 76.5
Door Size (W"x H"):	28 x 47

Operating Temperature

(X°F - X°F):	16-24
Control:	Electronic Control

Product Weight

Auto Defrost (lbs.):	405
Cold Wall (lbs.):	370

Electrical

Voltage (V/Hz):	115 / 60
Min. Circuit Required (Amps):	15
Auto Defrost (Amps):	6.3
Cold Wall (Amps):	6.3
230V/50Hz Available:	Upon Request

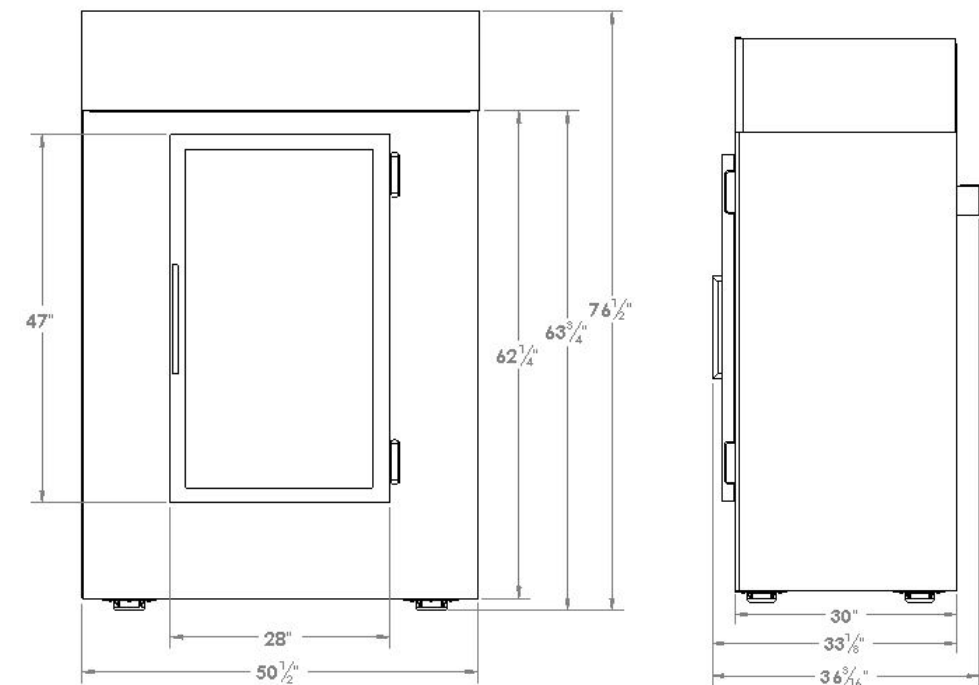
Other

Compressor (HP):	1/3
Refrigerant:	R404a, R290
Certifications:	UL, cUL, CE
DOE Compliant:	Yes
CARB Compliant:	Upon Request
NSF Available:	Upon Request

1. Height Includes Compressor
2. Add 3" to Depth for Condensate Evaporator Pan
3. Add 3" to Depth for Low Profile Raceway
4. Add 3.5" to Depth for Glass Door & Handle
5. Add 3" to Depth for Upright Solid Door & Handle
6. Add 1" to Depth for Slant Solid Door & Handle
7. Merchandiser storage capacities are approximate & may vary due to type of ice, bag size, and methods of loading.



DIMENSIONAL DRAWINGS





MODEL 60

MODEL 64

PRODUCT SPECIFICATIONS

Standard Model Numbers

Auto Defrost – R404a:	L060UAGE
Cold Wall – R404a:	L060UCGE
Auto Defrost – R290:	L060UAGP
Cold Wall – R290:	L060UCGP

Dimensions & Capacities

7 lb. Bags - Auto Defrost:	180
20 lb. Bags - Auto Defrost:	70
7 lb. Bags - Cold Wall:	200
20 lb. Bags - Cold Wall:	80
Approx. Interior Cubic Feet:	60
Dimensions (W"xD"xH"):	73 x 30 x 76.5
Door Size (W"x H"):	28 x 47

Operating Temperature

(X°F - X°F):	16 -24
Control:	Electronic Control

Product Weight

Auto Defrost (lbs.):	545
Cold Wall (lbs.):	510

Electrical

Voltage (V/Hz):	115 / 60
Min. Circuit Required (Amps):	15
Auto Defrost (Amps):	10
Cold Wall (Amps):	10
230V/50Hz Available:	Upon Request

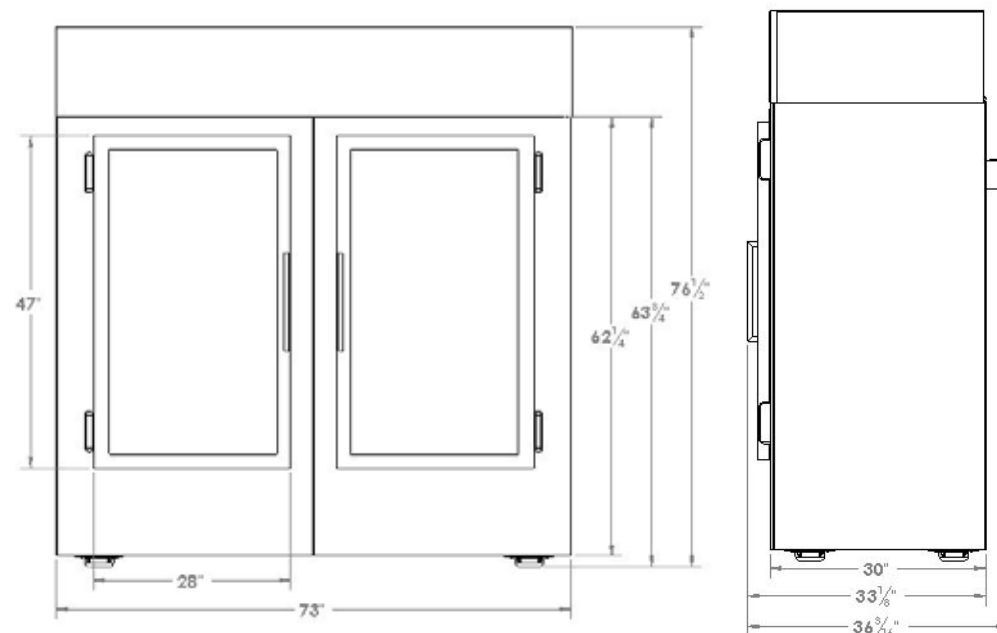
Other

Compressor (HP):	1/2
Refrigerant:	R404a, R290
Certifications:	UL, cUL, CE
DOE Compliant:	Yes
CARB Compliant:	Upon Request
NSF Available:	Upon Request

1. Height Includes Compressor
2. Add 3" to Depth for Condensate Evaporator Pan
3. Add 3" to Depth for Low Profile Raceway
4. Add 3.5" to Depth for Glass Door & Handle
5. Add 3" to Depth for Upright Solid Door & Handle
6. Add 1" to Depth for Slant Solid Door & Handle
7. Merchandiser storage capacities are approximate & may vary due to type of ice, bag size, and methods of loading.



DIMENSIONAL DRAWINGS



PRODUCT SPECIFICATIONS

Standard Model Numbers

Auto Defrost – R404a:	L064UAGE
Cold Wall – R404a:	L064UCGE
Auto Defrost – R290:	L064UAGP
Cold Wall – R290:	L064UCGP

Dimensions & Capacities

7 lb. Bags - Auto Defrost:	170
20 lb. Bags - Auto Defrost:	65
7 lb. Bags - Cold Wall:	190
20 lb. Bags - Cold Wall:	70
Approx. Interior Cubic Feet:	65
Dimensions (W"xD"xH"):	64 x 35.5 x 76.5
Door Size (W"x H"):	28 x 47

Operating Temperature

(X°F - X°F):	16 -24
Control:	Electronic Control

Product Weight

Auto Defrost (lbs.):	490
Cold Wall (lbs.):	455

Electrical

Voltage (V/Hz):	115 / 60
Min. Circuit Required (Amps):	15
Auto Defrost (Amps):	10
Cold Wall (Amps):	10
230V/50Hz Available:	Upon Request

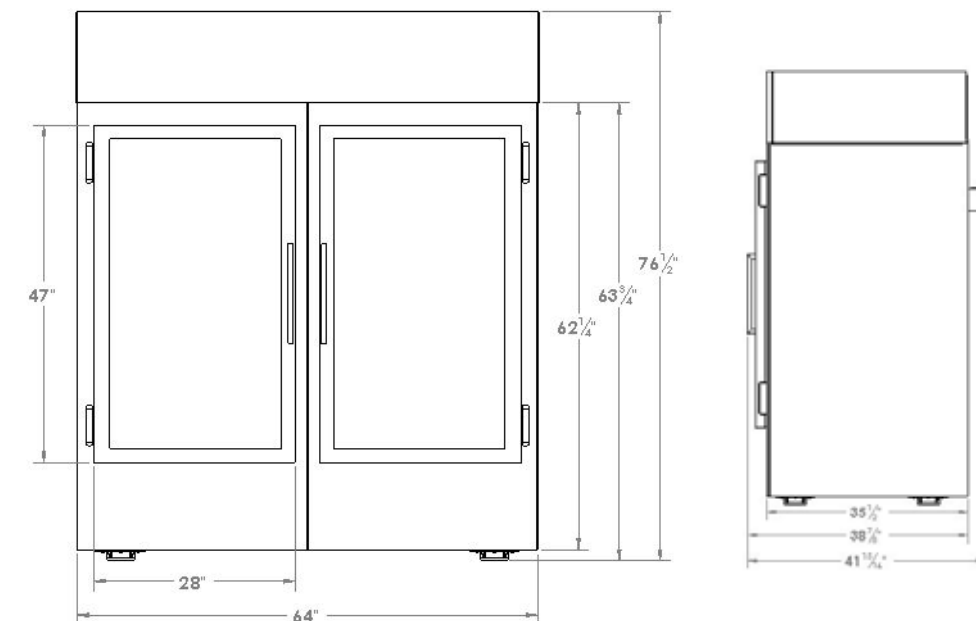
Other

Compressor (HP):	1/2
Refrigerant:	R404a, R290
Certifications:	UL, cUL, CE
DOE Compliant:	Yes
CARB Compliant:	Upon Request
NSF Available:	Upon Request

1. Height Includes Compressor
2. Add 3" to Depth for Condensate Evaporator Pan
3. Add 3" to Depth for Low Profile Raceway
4. Add 3.5" to Depth for Glass Door & Handle
5. Add 3" to Depth for Upright Solid Door & Handle
6. Add 1" to Depth for Slant Solid Door & Handle
7. Merchandiser storage capacities are approximate & may vary due to type of ice, bag size, and methods of loading.



DIMENSIONAL DRAWINGS





MODEL 65

MODEL 75

PRODUCT SPECIFICATIONS

Standard Model Numbers

Auto Defrost – R404a:	L065UAGE
Cold Wall – R404a:	L065UCGE
Auto Defrost – R290:	L065UAGP
Cold Wall – R290:	L065UCGP

Dimensions & Capacities

7 lb. Bags - Auto Defrost:	170
20 lb. Bags - Auto Defrost:	65
7 lb. Bags - Cold Wall:	190
20 lb. Bags - Cold Wall:	70
Approx. Interior Cubic Feet:	65
Dimensions (W"xD"xH"):	64 x 35.5 x 76.5
Door Size (W"x H"):	28 x 47

Operating Temperature

(X°F - X°F):	16 -24
Control:	Electronic Control

Product Weight

Auto Defrost (lbs.):	490
Cold Wall (lbs.):	455

Electrical

Voltage (V/Hz):	115 / 60
Min. Circuit Required (Amps):	15
Auto Defrost (Amps):	6.3
Cold Wall (Amps):	6.3
230V/50Hz Available:	Upon Request

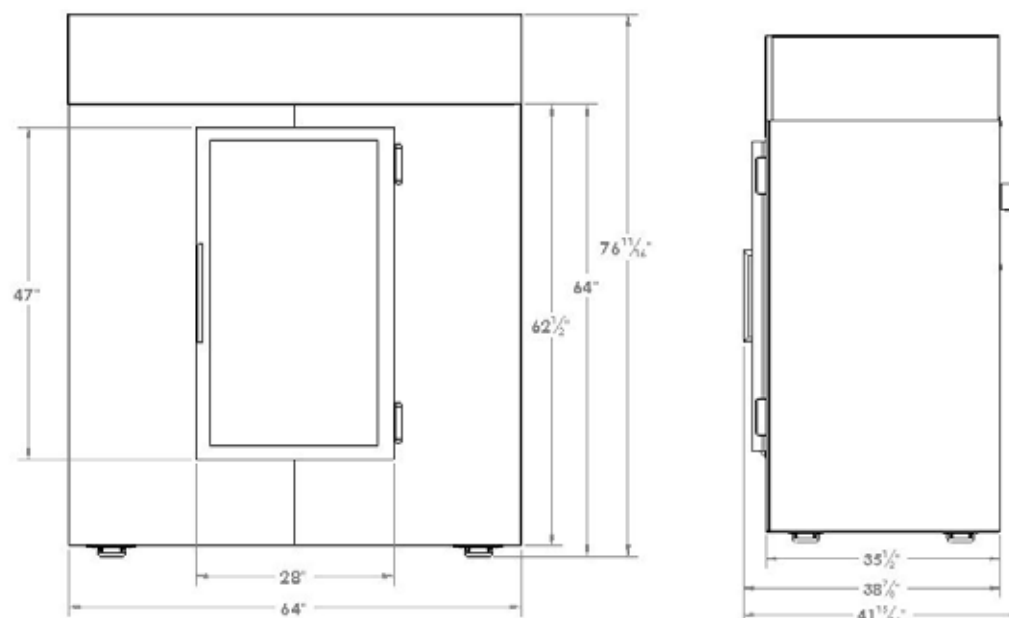
Other

Compressor (HP):	1/3
Refrigerant:	R404a, R290
Certifications:	UL, cUL, CE
DOE Compliant:	Yes
CARB Compliant:	Upon Request
NSF Available:	Upon Request

1. Height Includes Compressor
2. Add 3" to Depth for Condensate Evaporator Pan
3. Add 3" to Depth for Low Profile Raceway
4. Add 3.5" to Depth for Glass Door & Handle
5. Add 3" to Depth for Upright Solid Door & Handle
6. Add 1" to Depth for Slant Solid Door & Handle
7. Merchandiser storage capacities are approximate & may vary due to type of ice, bag size, and methods of loading.



DIMENSIONAL DRAWINGS



PRODUCT SPECIFICATIONS

Standard Model Numbers

Auto Defrost – R404a:	L075UAGE
Cold Wall – R404a:	L075UCGE
Auto Defrost – R290:	L075UAGP
Cold Wall – R290:	L075UCGP

Dimensions & Capacities

7 lb. Bags - Auto Defrost:	210
20 lb. Bags - Auto Defrost:	80
7 lb. Bags - Cold Wall:	230
20 lb. Bags - Cold Wall:	90
Approx. Interior Cubic Feet:	75
Dimensions (W"xD"xH"):	73 x 35.5 x 76.5
Door Size (W"x H"):	28 x 47

Operating Temperature

(X°F - X°F):	16 -24
Control:	Electronic Control

Product Weight

Auto Defrost (lbs.):	585
Cold Wall (lbs.):	550

Electrical

Voltage (V/Hz):	115 / 60
Min. Circuit Required (Amps):	15
Auto Defrost (Amps):	10
Cold Wall (Amps):	10
230V/50Hz Available:	Upon Request

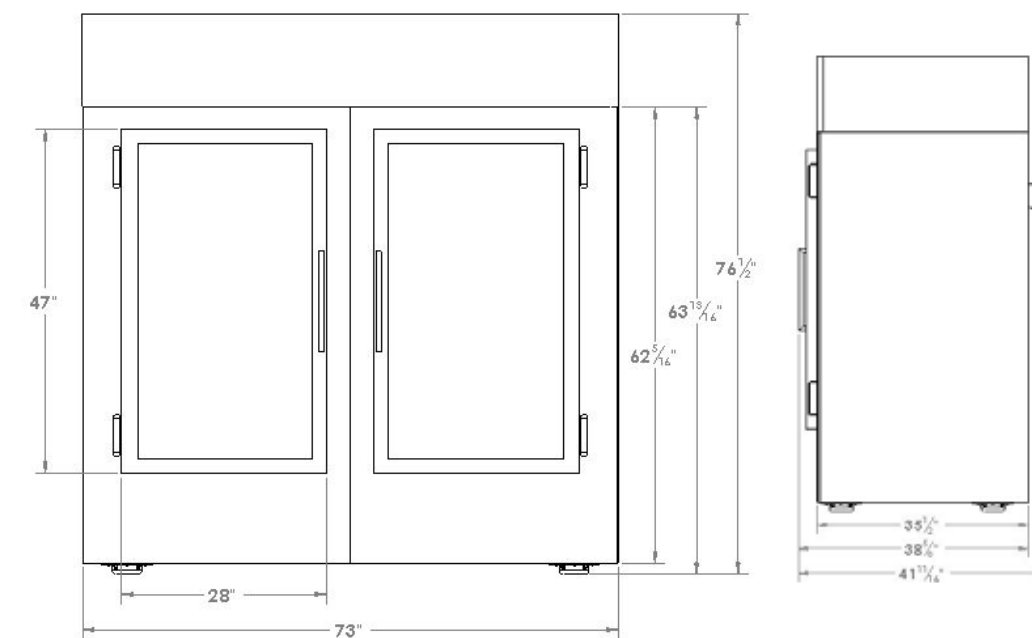
Other

Compressor (HP):	1/2
Refrigerant:	R404a, R290
Certifications:	UL, cUL, CE
DOE Compliant:	Yes
CARB Compliant:	Upon Request
NSF Available:	Upon Request

1. Height Includes Compressor
2. Add 3" to Depth for Condensate Evaporator Pan
3. Add 3" to Depth for Low Profile Raceway
4. Add 3.5" to Depth for Glass Door & Handle
5. Add 3" to Depth for Upright Solid Door & Handle
6. Add 1" to Depth for Slant Solid Door & Handle
7. Merchandiser storage capacities are approximate & may vary due to type of ice, bag size, and methods of loading.



DIMENSIONAL DRAWINGS





MODEL 85

MODEL 100

PRODUCT SPECIFICATIONS

Standard Model Numbers

Auto Defrost – R404a:	L085UAGE
Cold Wall – R404a:	L085UCGE
Auto Defrost – R290:	L085UAGP
Cold Wall – R290:	L085UCGP

Dimensions & Capacities

7 lb. Bags - Auto Defrost:	230
20 lb. Bags - Auto Defrost:	90
7 lb. Bags - Cold Wall:	260
20 lb. Bags - Cold Wall:	100
Approx. Interior Cubic Feet:	85
Auto Defrost – R404a:	L085UAGE
Dimensions (W"xD"xH"):	84 x 35.5 x 76.5
Door Size (W"x H"):	28 x 47

Operating Temperature

(X°F - X°F):	16 -24
Control:	Electronic Control

Product Weight

Auto Defrost (lbs.):	620
Cold Wall (lbs.):	590

Electrical

Voltage (V/Hz):	115 / 60
Min. Circuit Required (Amps):	15
Auto Defrost (Amps):	10
Cold Wall (Amps):	10
230V/50Hz Available:	Upon Request

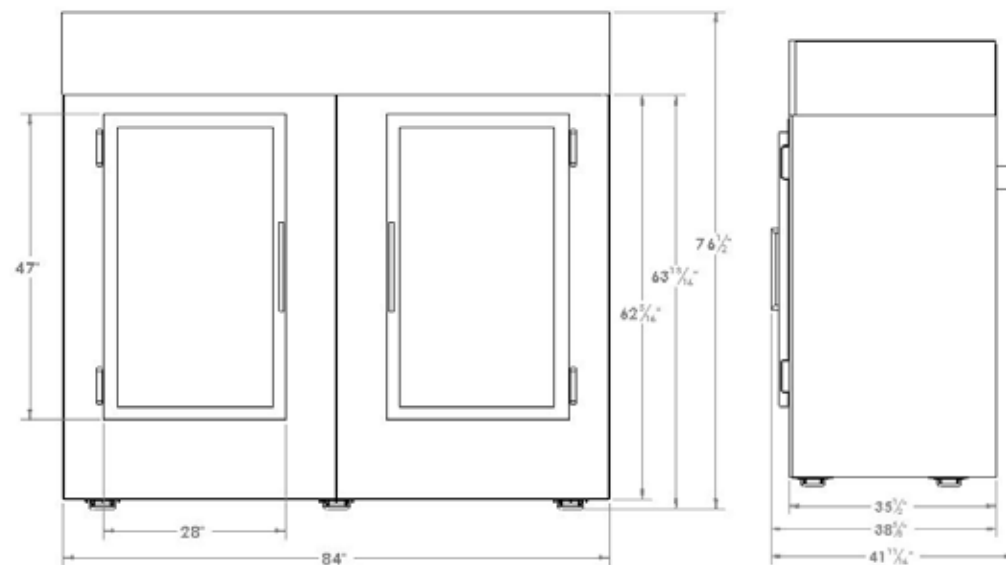
Other

Compressor (HP):	1/2
Refrigerant:	R404a, R290
Certifications:	UL, cUL, CE
DOE Compliant:	Yes
CARB Compliant:	Upon Request
NSF Available:	Upon Request

1. Height Includes Compressor
2. Add 3" to Depth for Condensate Evaporator Pan
3. Add 3" to Depth for Low Profile Raceway
4. Add 3.5" to Depth for Glass Door & Handle
5. Add 3" to Depth for Upright Solid Door & Handle
6. Add 1" to Depth for Slant Solid Door & Handle
7. Merchandiser storage capacities are approximate & may vary due to type of ice, bag size, and methods of loading.



DIMENSIONAL DRAWINGS



PRODUCT SPECIFICATIONS

Standard Model Numbers

Auto Defrost – R404a:	L100UAGE
Cold Wall – R404a:	L100UCGE
Auto Defrost – R290:	L100UAGP
Cold Wall – R290:	L100UCGP

Dimensions & Capacities

7 lb. Bags - Auto Defrost:	280
20 lb. Bags - Auto Defrost:	100
7 lb. Bags - Cold Wall:	290
20 lb. Bags - Cold Wall:	110
Approx. Interior Cubic Feet:	100
Dimensions (W"xD"xH"):	94 x 35.5 x 76.5
Door Size (W"x H"):	28 x 47

Operating Temperature

(X°F - X°F):	16 -24
Control:	Electronic Control

Product Weight

Auto Defrost (lbs.):	655
Cold Wall (lbs.):	605

Electrical

Voltage (V/Hz):	115 / 60
Min. Circuit Required (Amps):	15
Auto Defrost (Amps):	10
Cold Wall (Amps):	10
230V/50Hz Available:	Upon Request

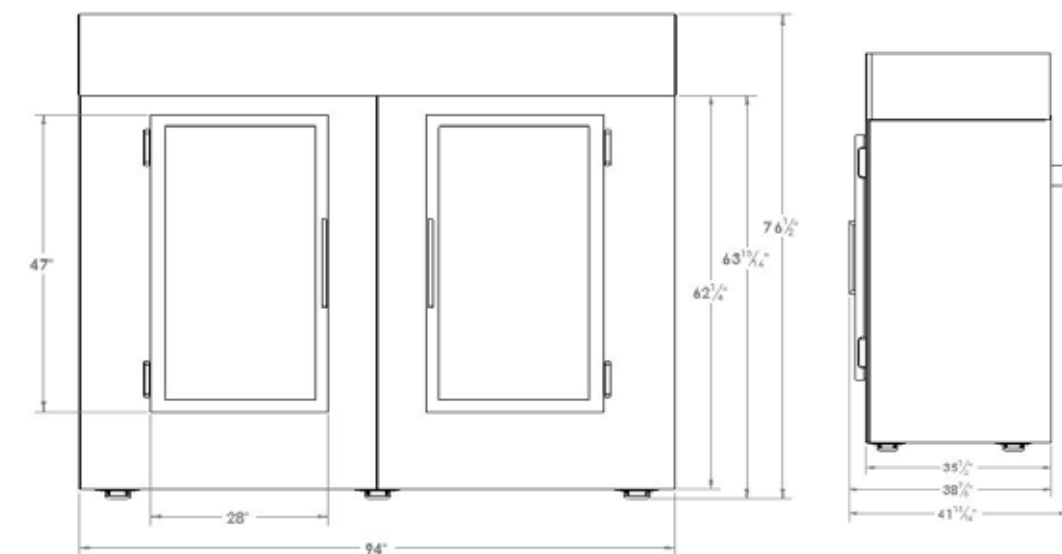
Other

Compressor (HP):	1/2
Refrigerant:	R404a, R290
Certifications:	UL, cUL, CE
DOE Compliant:	Yes
CARB Compliant:	Upon Request
NSF Available:	Upon Request

1. Height Includes Compressor
2. Add 3" to Depth for Condensate Evaporator Pan
3. Add 3" to Depth for Low Profile Raceway
4. Add 3.5" to Depth for Glass Door & Handle
5. Add 3" to Depth for Upright Solid Door & Handle
6. Add 1" to Depth for Slant Solid Door & Handle
7. Merchandiser storage capacities are approximate & may vary due to type of ice, bag size, and methods of loading.



DIMENSIONAL DRAWINGS





MODEL 115 CORNER REFRIGERATION



MODEL 120

PRODUCT SPECIFICATIONS

Standard Model Numbers

Auto Defrost - R404a:	CR115UAGX
Auto Defrost - R290:	CR115UAGP

Dimensions & Capacities

7 lb. Bags - Auto Defrost:	290
20 lb. Bags - Auto Defrost:	110
Approx. Interior Cubic Feet:	115
Dimensions (W"xD"xH"):	72 x 48 x 75
Door Size (W"x H"):	28 x 47

Operating Temperature

(X°F - X°F):	16 -24
R404a Control:	Mechanical
R290 Control:	Electronic

Product Weight

Auto Defrost (lbs.):	820
----------------------	-----

Electrical

Voltage (V/Hz):	115/60
Min. Circuit Required (Amps):	20
Auto Defrost (Amps):	13
230V/50Hz Available:	Upon Request

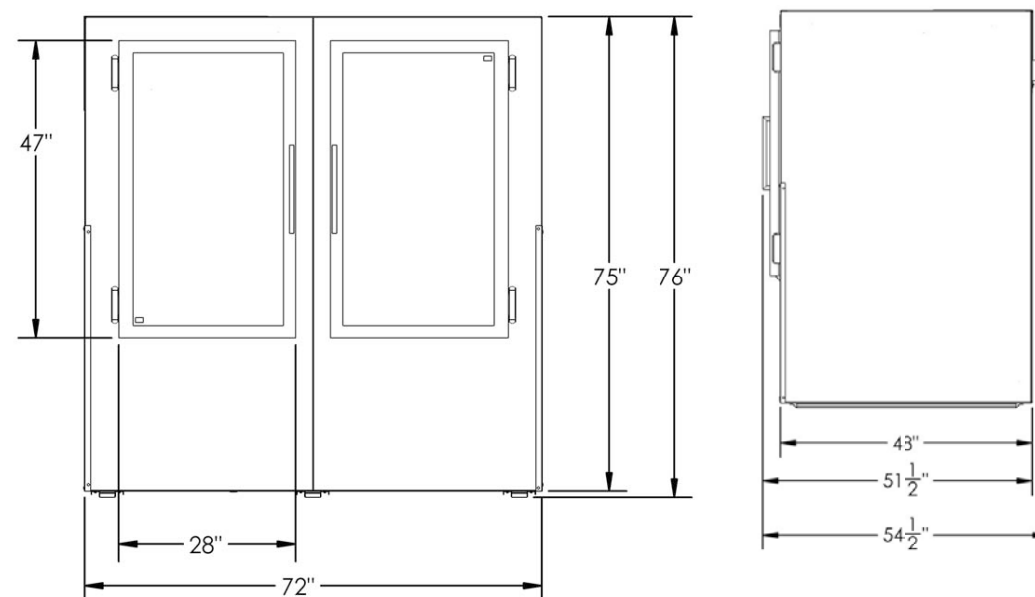
Other

Compressor (HP):	3/4
Refrigerant:	R404a, R290
Certifications:	UL, cUL
DOE Compliant:	Yes
CARB Compliant:	R290 Units
NSF Available:	No

1. Add 3" to Depth for Condensate Evaporator Pan
2. Add 3.5" to Depth for Glass Door & Handle
3. Merchandiser storage capacities are approximate & may vary due to type of ice, bag size, and methods of loading.



DIMENSIONAL DRAWINGS



PRODUCT SPECIFICATIONS

Standard Model Numbers

Auto Defrost - R404a:	TD120UAGX
Auto Defrost - R290:	TD120UAGP

Dimensions & Capacities

7 lb. Bags - Auto Defrost:	310
20 lb. Bags - Auto Defrost:	120
Approx. Interior Cubic Feet:	120
Dimensions (W"xD"xH"):	72 x 48 x 88
Door Size (W"x H"):	28 x 47

Operating Temperature

(X°F - X°F):	16 -24
R404a Control:	Mechanical
R290 Control:	Electronic

Product Weight

Auto Defrost (lbs.):	820
----------------------	-----

Electrical

Voltage (V/Hz):	115/60
Min. Circuit Required (Amps):	20
Auto Defrost (Amps):	13
230V/50Hz Available:	Upon Request

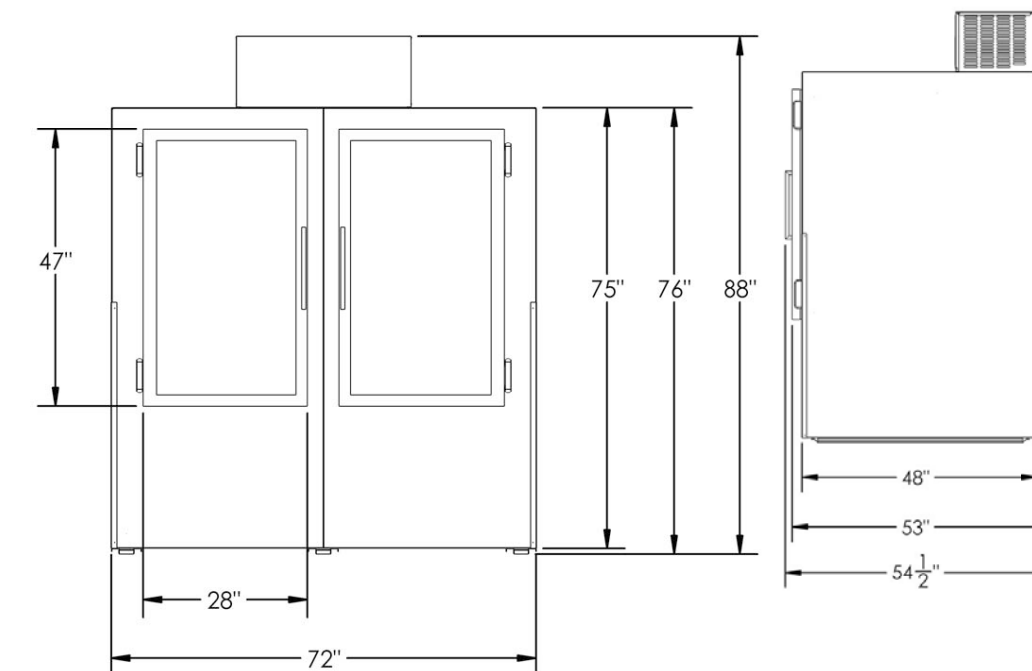
Other

Compressor (HP):	3/4
Refrigerant:	R404a, R290
Certifications:	UL, cUL
DOE Compliant:	Yes
CARB Compliant:	R290 Units
NSF Available:	No

1. Height Includes Compressor
2. Add 3" to Depth for Condensate Evaporator Pan
3. Add 3.5" to Depth for Glass Door & Handle
4. Merchandiser storage capacities are approximate & may vary due to type of ice, bag size, and methods of loading.



DIMENSIONAL DRAWINGS





MODEL 150 CORNER REFRIGERATION



MODEL 155

PRODUCT SPECIFICATIONS

Standard Model Numbers

Auto Defrost - R404a:	CR150UAGX
Auto Defrost - R290:	CR150UAGP

Dimensions & Capacities

7 lb. Bags - Auto Defrost:	360
20 lb. Bags - Auto Defrost:	140
Approx. Interior Cubic Feet:	150
Dimensions (W"xD"xH"):	96 x 48 x 75
Door Size (W"x H"):	28 x 47

Operating Temperature

(X°F - X°F):	16 -24
R404a Control:	Mechanical
R290 Control:	Electronic

Product Weight

Auto Defrost (lbs.):	970
----------------------	-----

Electrical

Voltage (V/Hz):	115/60
Min. Circuit Required (Amps):	20
Auto Defrost (Amps):	13
230V/50Hz Available:	Upon Request

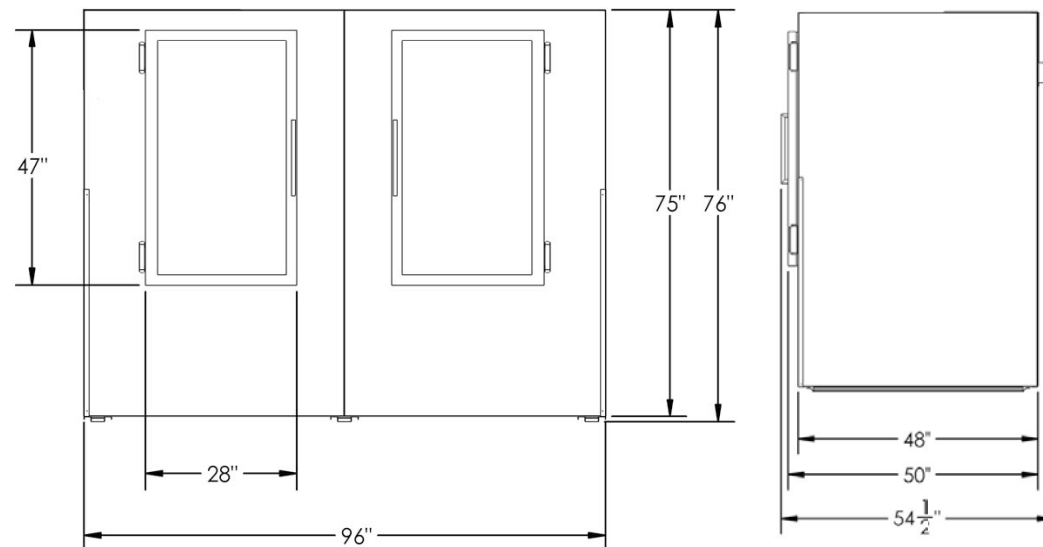
Other

Compressor (HP):	3/4
Refrigerant:	R404a, R290
Certifications:	UL, cUL
DOE Compliant:	Yes
CARB Compliant:	R290 Units
NSF Available:	No

1. Add 3" to Depth for Condensate Evaporator Pan
2. Add 3.5" to Depth for Glass Door & Handle
3. Merchandiser storage capacities are approximate & may vary due to type of ice, bag size, and methods of loading.



DIMENSIONAL DRAWINGS



PRODUCT SPECIFICATIONS

Standard Model Numbers

Auto Defrost - R404a:	L155UAGX
Auto Defrost - R290:	L155UAGP

Dimensions & Capacities

7 lb. Bags - Auto Defrost:	390
20 lb. Bags - Auto Defrost:	150
Approx. Interior Cubic Feet:	155
Dimensions (W"xD"xH"):	96 x 48 x 88
Door Size (W"x H"):	28 x 47

Operating Temperature

(X°F - X°F):	16 -24
R404a Control:	Mechanical
R290 Control:	Electronic

Product Weight

Auto Defrost (lbs.):	970
----------------------	-----

Electrical

Voltage (V/Hz):	115/60
Min. Circuit Required (Amps):	20
Auto Defrost (Amps):	13
230V/50Hz Available:	Upon Request

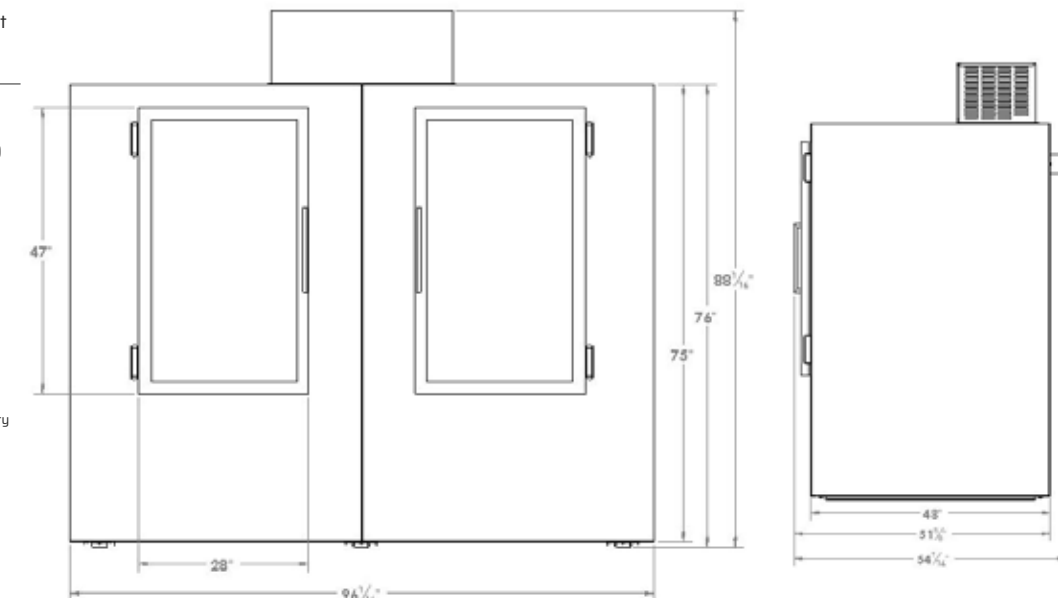
Other

Compressor (HP):	3/4
Refrigerant:	R404a, R290
Certifications:	UL, cUL
DOE Compliant:	Yes
CARB Compliant:	R290 Units
NSF Available:	No

1. Height includes Compressor
2. Add 3" to Depth for Condensate Evaporator Pan
3. Add 3.5" to Depth for Glass Door & Handle
4. Merchandiser storage capacities are approximate & may vary due to type of ice, bag size, and methods of loading.



DIMENSIONAL DRAWINGS





OUTDOOR ICE MERCHANDISERS

1. LEER INC.

- **Your Partner in Temperature-Controlled Storage Solutions** - With over 65 years of industry expertise, innovation and focus on manufacturing excellence, we're confident our products feature industry leading efficiency, reliability, durability and longevity - delivering an unbeatable value to you and your company.
- **Made in Wisconsin, USA** - Manufactured under a strict quality control program to ensure our products are delivered right the first time, right every time.
- **Iconic Red Snow-Capped ICE Decals** - The trademarked ICE decals are a staple of the Packaged Ice Industry and Leer's unique signature that you can't get anywhere else.
- **We're With You Every Degree of the Way** - As an employee owned company, our success depends on your success. We stand behind our products and are dedicated to your success by providing free lifetime technical support. Our engineers and customer service teams are available to help, whether you're a potential new customer or a lifetime customer of Leer.

2. CONSTRUCTION FEATURES

- **Patented Construction Features** - All steel construction with no fasteners, welding, or adhesives. The offset seams are precision machine formed, resulting in water-tight lock-form seams that create a stronger and more durable merchandiser. This increases longevity by reducing moisture penetration into the insulation.
- **High R-Values** - Increased insulation to reduce heat infiltration into the unit - resulting in consistent and optimal temperatures of 16°F - 24°F. There's 2.5" of high-performance, eco-friendly, insulation in the ceiling and walls, and 3" of insulation in the floor.
- **Rust Resistant** - The exterior of the merchandiser is finished with a two-part primer/top coat all-weather paint to provide superior resistance to humidity, corrosion, and other weather conditions.

3. DOOR FEATURES

- **High-Impact Breaker Strip** - High-impact breaker strip, located around the perimeter of the door jamb, durable enough to withstand excessive wear and tear and provide a thermal break between the merchandiser interior and exterior.
- **Top-of-the-Line Door Gaskets** - The gaskets contain extra air chambers as well as a magnetic strip to provide a tight insulation around the doors. The gasket material is Santoprene®, which is designed to

withstand harsh outdoor climates without breaking or becoming brittle. Together these features improve the sealing performance and durability of the gaskets and merchandiser door. Therefore, making the merchandiser more energy efficient and better at keeping ice in premium condition.

- **Enhanced Door Frames** - The door frame is a combination of both rigid and flexible PVC, which provides better protection against dirt and water in the field and foam exposure during the manufacturing process.
- **Inset Doors** - The 2" inset doors provide greater insulation, reduce condensation, and improves the performance of merchandiser.
- **Rain Shield** - All doors contain a rain shield to divert water from dripping onto the doors or into the unit.
- **Steel Doors with Premium Paint** - Galvanized steel doors top coated with a premium exterior grade paint, which provides resistance to scratches, scuffs, dents, and protection from the outside elements.
- **Spring-Assisted Hinges** - The hinges are adjustable to ensure a lifetime of level, and solid sealing doors. Additionally, the springs help the door close securely and avoid accidentally being left open.
- **Chrome-Finish Hardware** - All hardware, including hinges and handles, have a chrome-finish to provide greater, strength durability, resistance to corrosion, and aesthetics.
- **Large Door Openings** - Oversized door openings for increased view and accessibility of the ice, and ease of merchandising during restock.
- **Locking Feature** - Doors contain a lockable hasp to protect from theft.

4. INTERIOR FEATURES

- **High-End Interior Finish** - Stucco-embossed galvanized steel interior finish.

5. REFRIGERATION FEATURES

- **Serviceability** - On Automatic Defrost units, the drop-down evaporator allows for easier troubleshooting, maintenance, and servicing.
- **Compressor Cover** - Standard and provides air flow for better cooling of the condenser and compressor. It's also a layer of protection from harmful foreign objects.
- **Intelligent Electronic Controls** - Electronic controls feature a digital display, factory preset advanced custom settings, and built-in intelligence to ensure your merchandiser will consistently operate at the optimal settings for your environmental needs.



VIDEO LIBRARY leerinc.com/video-library





OUTDOOR ICE MERCHANTISERS

OUTDOOR ICE MERCHANTISERS



MODEL 30



MODEL 40



MODEL 40 SLANT



MODEL 462 LOW PROFILE



MODEL 60



MODEL 60 SLANT



MODEL 612 LOW PROFILE



MODEL 64



MODEL 65



MODEL 75



MODEL 75 SLANT



MODEL 85



MODEL 100



MODEL 115 CORNER REFRIGERATION



MODEL 120



MODEL 150 CORNER REFRIGERATION



MODEL 155



	Model 30	Model 40	Model 40 Slant	Model 462 Low Profile	Model 60	Model 60 Slant	Model 612 Low Profile	Model 64	Model 65	Model 75	Model 75 Slant	Model 85	Model 100	Model 115	Model 120	Model 150	Model 155
STANDARD MODEL NUMBERS																	
Auto Defrost - R404a:	L030UA5E	L040UA5E	L040SA5E	L462LA5E	L060UA5E	L060SA5E	L612LA5E	L064UA5E	L065UA5E	L075UA5E	L075SA5E	L085UA5E	L100UA5E	N/A	N/A	N/A	L155UA5E
Cold Wall - R404a:	L030UC5E	L040UC5E	L040SC5E	L462LC5E	L060UC5E	L060SC5E	L612LC5E	L064UC5E	L065UC5E	L075UC5E	L075SC5E	L085UC5E	L100UC5E	N/A	N/A	N/A	N/A
Auto Defrost - R290:	L030UASP	L040UASP	L040SASP	L462LASP	L060UASP	L060SASP	L612LASP	L064UASP	L065UASP	L075UASP	L075SASP	L085UASP	L100UASP	CR115UASP	TD120UASP	CR150UASP	L155UASP
Cold Wall - R290:	L030UCSP	L040UCSP	L040SCSP	L462LCSP	L060UCSP	L060SCSP	L612LCSP	L064UCSP	L065UCSP	L075UCSP	L075SCSP	L085UCSP	L100UCSP	N/A	N/A	N/A	N/A
DIMENSIONS & CAPACITIES																	
7 lb. Bags - Auto Defrost:	80	120	110	140	180	180	170	170	170	210	210	230	260	290	310	360	390
20 lb. Bags - Auto Defrost:	30	45	42	55	70	70	65	65	65	80	82	90	100	110	120	140	150
7 lb. Bags - Cold Wall:	80	130	120	160	200	200	180	190	190	230	240	260	290	N/A	N/A	N/A	N/A
20 lb. Bags - Cold Wall:	30	50	50	60	80	80	70	70	70	90	90	100	110	N/A	N/A	N/A	N/A
Approx. Interior Cubic Feet:	30	40	40	46	60	60	61	65	65	75	75	85	100	115	120	150	155
Dimensions (W" x D" x H"):	36 x 30 x 76.5	50.5 x 30 x 76.5	50.5 x 35.5 x 68.5	73 x 35.5 x 49.5	73 x 30 x 76.5	73 x 35.5 x 68.5	94 x 35.5 x 49.5	64 x 35.5 x 76.5	64 x 35.5 x 76.5	73 x 35.5 x 76.5	94 x 35.5 x 68.5	84 x 35.5 x 76.5	94 x 35.5 x 76.5	72 x 48 x 75	72 x 48 x 88	96 x 48 x 75	96 x 48 x 88
Door Size (W" x H"):	27 x 46	27 x 46	27 x 27	27 x 27	27 x 46	27 x 27	27 x 27	27 x 46	27 x 46	27 x 46	27 x 27	27 x 46	27 x 46	27 x 46	27 x 46	27 x 46	27 x 46
OPERATING TEMPERATURE																	
(X°F - X°F):	16 - 24	16 - 24	16 - 24	16 - 24	16 - 24	16 - 24	16 - 24	16 - 24	16 - 24	16 - 24	16 - 24	16 - 24	16 - 24	16 - 24	16 - 24	16 - 24	16 - 24
Control:	Electronic Control	Electronic Control	Electronic Control	Electronic Control	Electronic Control	Electronic Control	Electronic Control	Electronic Control	Electronic Control	Electronic Control	Electronic Control	Electronic Control	Electronic Control	Electronic Control	Electronic Control	Electronic Control	Electronic Control
PRODUCT WEIGHT																	
Auto Defrost (lbs.):	305	350	345	455	455	435	495	430	430	490	520	545	560	820	820	970	970
Cold Wall (lbs.):	280	325	320	425	425	400	462	405	405	450	480	505	530	N/A	N/A	N/A	N/A
ELECTRICAL																	
Voltage (V/Hz):	115/60	115/60	115/60	115/60	115/60	115/60	115/60	115/60	115/60	115/60	115/60	115/60	115/60	115/60	115/60	115/60	115/60
Min. Circuit Required (Amps):	15	15	15	15	15	15	15	15	15	15	15	15	15	20	20	20	20
Auto Defrost (Amps):	6.3	6.3	6.3	6.3	6.3	6.3	6.3	10	6.3	10	10	10	10	13	13	13	13
Cold Wall (Amps):	6.3	6.3	6.3	6.3	6.3	6.3	6.3	10	6.3	10	10	10	10	N/A	N/A	N/A	N/A
230V/50Hz Available:	Upon Request	Upon Request	Upon Request	Upon Request	Upon Request	Upon Request	Upon Request	Upon Request	Upon Request	Upon Request	Upon Request	Upon Request	Upon Request	Upon Request	Upon Request	Upon Request	Upon Request
OTHER																	
Compressor (HP):	1/3	1/3	1/3	1/3	1/3	1/3	1/3	1/2	1/3	1/2	1/2	1/2	1/2	3/4	3/4	3/4	3/4
Refrigerant:	R404a, R290	R404a, R290	R404a, R290	R404a, R290	R404a, R290	R404a, R290	R404a, R290	R404a, R290	R404a, R290	R404a, R290	R404a, R290	R404a, R290	R404a, R290	R290	R290	R290	R404a, R290
Certifications:	UL, cUL, CE	UL, cUL, CE	UL, cUL, CE	UL, cUL, CE	UL, cUL, CE	UL, cUL, CE	UL, cUL, CE	UL, cUL, CE	UL, cUL, CE	UL, cUL, CE	UL, cUL, CE	UL, cUL, CE	UL, cUL, CE	UL, cUL, CE	UL, cUL, CE	UL, cUL, CE	UL, cUL, CE
DDE Compliant:	Yes	Yes	Yes	Yes	Yes	Yes	Yes	Yes	Yes	Yes	Yes	Yes	Yes	Yes	Yes	Yes	Yes
CARB Compliant:	R290 Units	R290 Units	R290 Units	R290 Units	R290 Units	R290 Units	R290 Units	R290 Units	R290 Units	R290 Units	R290 Units	R290 Units	R290 Units	R290 Units	R290 Units	R290 Units	R290 Units
NSF Available:	Upon Request	Upon Request	Upon Request	Upon Request	Upon Request	Upon Request	Upon Request	Upon Request	Upon Request	Upon Request	Upon Request	Upon Request	Upon Request	Upon Request	No	No	No

1. Height Includes Compressor
2. Add 3" to Depth for Condensate Evaporator Pan
3. Add 3" to Depth for Low Profile Raceway
4. Add 3.5" to Depth for Glass Door & Handle
5. Add 3" to Depth for Upright Solid Door & Handle
6. Add 1" to Depth for Slant Solid Door & Handle
7. Merchandiser storage capacities are approximate & may vary due to type of ice, bag size, and methods of loading.



MODEL 30

MODEL 40

PRODUCT SPECIFICATIONS

Standard Model Numbers

Auto Defrost – R404a:	L030UASE
Cold Wall – R404a:	L030UCSE
Auto Defrost – R290:	L030UASP
Cold Wall – R290:	L030UCSP

Dimensions & Capacities

7 lb. Bags - Auto Defrost:	80
20 lb. Bags - Auto Defrost:	30
7 lb. Bags - Cold Wall:	80
20 lb. Bags - Cold Wall:	30
Approx. Interior Cubic Feet:	30
Dimensions (W"xD"xH"):	36 x 30 x 76.5
Door Size (W"x H"):	27 x 46

Operating Temperature

(X°F - X°F):	16 - 24
Control:	Electronic Control

Product Weight

Auto Defrost (lbs.):	305
Cold Wall (lbs.):	280

Electrical

Voltage (V/Hz):	115 / 60
Min. Circuit Required (Amps):	15
Auto Defrost (Amps):	6.3
Cold Wall (Amps):	6.3
230V/50Hz Available:	Upon Request

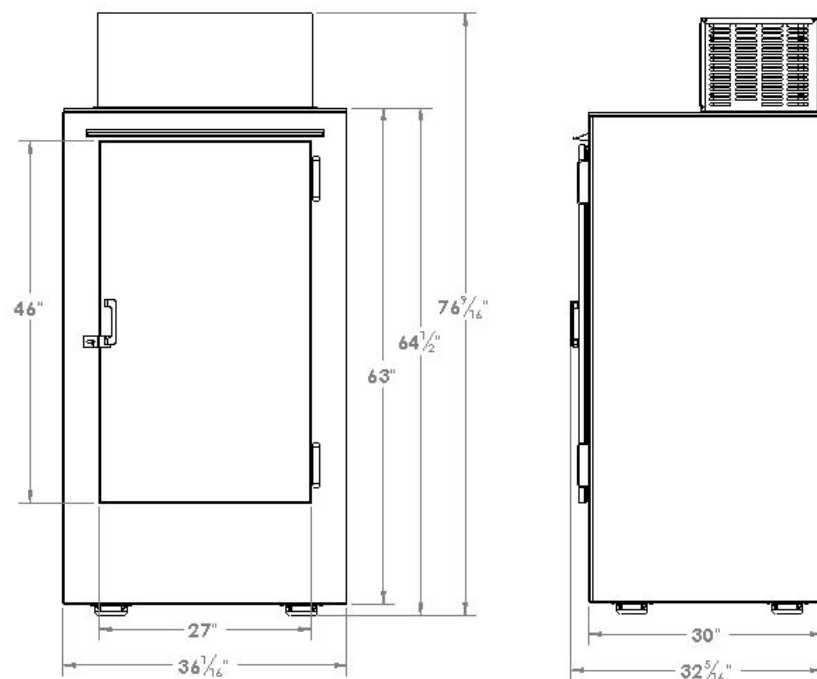
Other

Compressor (HP):	1/3
Refrigerant:	R404a, R290
Certifications:	UL, cUL, CE
DOE Compliant:	Yes
CARB Compliant:	Upon Request
NSF Available:	Upon Request

1. Height Includes Compressor
2. Add 3" to Depth for Condensate Evaporator Pan
3. Add 3" to Depth for Low Profile Raceway
4. Add 3.5" to Depth for Glass Door & Handle
5. Add 3" to Depth for Upright Solid Door & Handle
6. Add 1" to Depth for Slant Solid Door & Handle
7. Merchandiser storage capacities are approximate & may vary due to type of ice, bag size, and methods of loading.



DIMENSIONAL DRAWINGS



PRODUCT SPECIFICATIONS

Standard Model Numbers

Auto Defrost – R404a:	L040UASE
Cold Wall – R404a:	L040UCSE
Auto Defrost – R290:	L040UASP
Cold Wall – R290:	L040UCSP

Dimensions & Capacities

7 lb. Bags - Auto Defrost:	120
20 lb. Bags - Auto Defrost:	45
7 lb. Bags - Cold Wall:	130
20 lb. Bags - Cold Wall:	50
Approx. Interior Cubic Feet:	40
Dimensions (W"xD"xH"):	50.5 x 30 x 76.5
Door Size (W"x H"):	27 x 46

Operating Temperature

(X°F - X°F):	16 - 24
Control:	Electronic Control

Product Weight

Auto Defrost (lbs.):	350
Cold Wall (lbs.):	325

Electrical

Voltage (V/Hz):	115 / 60
Min. Circuit Required (Amps):	15
Auto Defrost (Amps):	6.3
Cold Wall (Amps):	6.3
230V/50Hz Available:	Upon Request

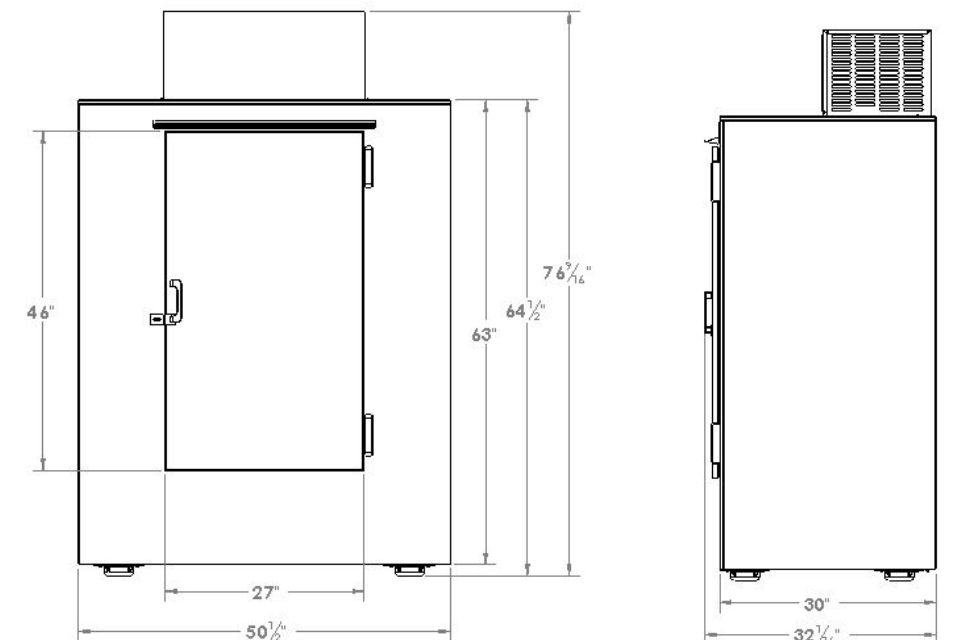
Other

Compressor (HP):	1/3
Refrigerant:	R404a, R290
Certifications:	UL, cUL, CE
DOE Compliant:	Yes
CARB Compliant:	Upon Request
NSF Available:	Upon Request

1. Height Includes Compressor
2. Add 3" to Depth for Condensate Evaporator Pan
3. Add 3" to Depth for Low Profile Raceway
4. Add 3.5" to Depth for Glass Door & Handle
5. Add 3" to Depth for Upright Solid Door & Handle
6. Add 1" to Depth for Slant Solid Door & Handle
7. Merchandiser storage capacities are approximate & may vary due to type of ice, bag size, and methods of loading.



DIMENSIONAL DRAWINGS





MODEL 40 SLANT

MODEL 462 LOW PROFILE

PRODUCT SPECIFICATIONS

Standard Model Numbers

Auto Defrost – R404a:	L040SASE
Cold Wall – R404a:	L040SCSE
Auto Defrost – R290:	L040SASP
Cold Wall – R290:	L040SCSP

Dimensions & Capacities

7 lb. Bags - Auto Defrost:	110
20 lb. Bags - Auto Defrost:	42
7 lb. Bags - Cold Wall:	120
20 lb. Bags - Cold Wall:	50
Approx. Interior Cubic Feet:	40
Dimensions (W"xD"xH"):	50.5 x 35.5 x 68.5
Door Size (W"x H"):	27 x 27

Operating Temperature

(X°F - X°F):	16 - 24
Control:	Electronic Control

Product Weight

Auto Defrost (lbs.):	345
Cold Wall (lbs.):	320

Electrical

Voltage (V/Hz):	115 / 60
Min. Circuit Required (Amps):	15
Auto Defrost (Amps):	6.3
Cold Wall (Amps):	6.3
230V/50Hz Available:	Upon Request

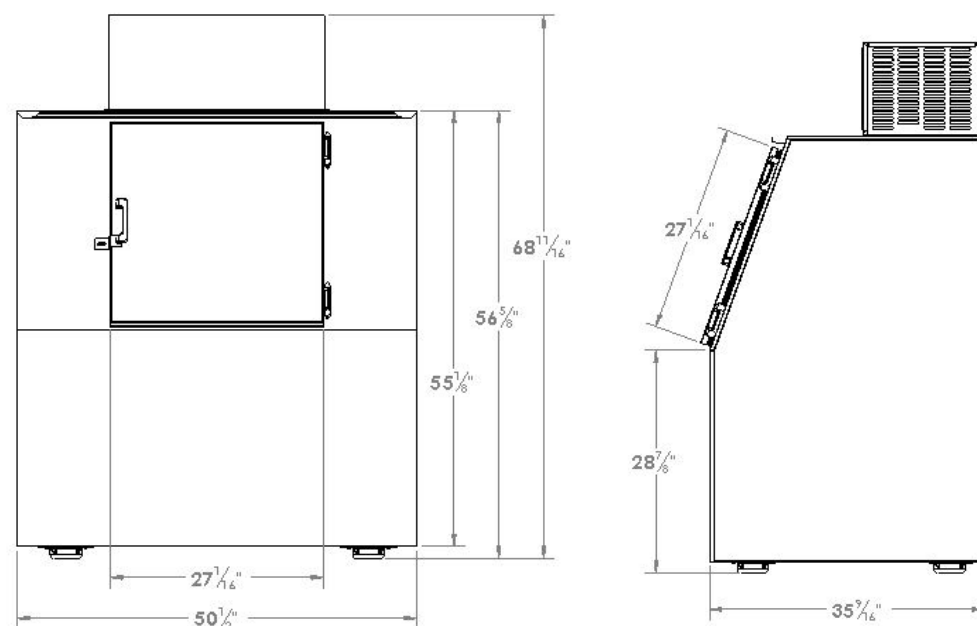
Other

Compressor (HP):	1/3
Refrigerant:	R404a, R290
Certifications:	UL, cUL, CE
DOE Compliant:	Yes
CARB Compliant:	Upon Request
NSF Available:	Upon Request

1. Height Includes Compressor
2. Add 3" to Depth for Condensate Evaporator Pan
3. Add 3" to Depth for Low Profile Raceway
4. Add 3.5" to Depth for Glass Door & Handle
5. Add 3" to Depth for Upright Solid Door & Handle
6. Add 1" to Depth for Slant Solid Door & Handle
7. Merchandiser storage capacities are approximate & may vary due to type of ice, bag size, and methods of loading.



DIMENSIONAL DRAWINGS



PRODUCT SPECIFICATIONS

Standard Model Numbers

Auto Defrost – R404a:	L462LASE
Cold Wall – R404a:	L462LCSE
Auto Defrost – R290:	L462LASP
Cold Wall – R290:	L462LCSP

Dimensions & Capacities

7 lb. Bags - Auto Defrost:	140
20 lb. Bags - Auto Defrost:	55
7 lb. Bags - Cold Wall:	160
20 lb. Bags - Cold Wall:	60
Approx. Interior Cubic Feet:	46
Dimensions (W"xD"xH"):	73 x 35.5 x 49.5
Door Size (W"x H"):	27 x 27

Operating Temperature

(X°F - X°F):	16 - 24
Control:	Electronic Control

Product Weight

Auto Defrost (lbs.):	455
Cold Wall (lbs.):	425

Electrical

Voltage (V/Hz):	115 / 60
Min. Circuit Required (Amps):	15
Auto Defrost (Amps):	6.3
Cold Wall (Amps):	6.3
230V/50Hz Available:	Upon Request

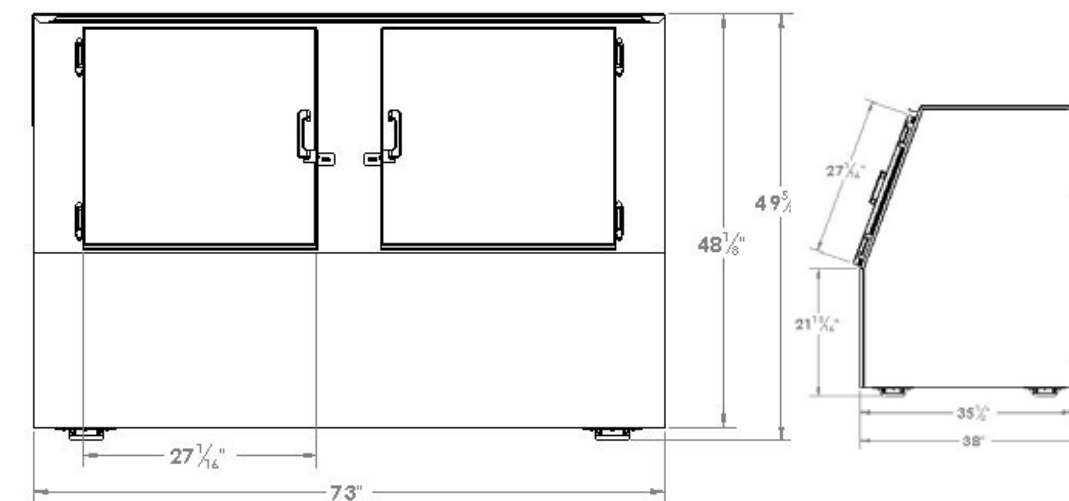
Other

Compressor (HP):	1/3
Refrigerant:	R404a, R290
Certifications:	UL, cUL, CE
DOE Compliant:	Yes
CARB Compliant:	Upon Request
NSF Available:	Upon Request

1. Height Includes Compressor
2. Add 3" to Depth for Condensate Evaporator Pan
3. Add 3" to Depth for Low Profile Raceway
4. Add 3.5" to Depth for Glass Door & Handle
5. Add 3" to Depth for Upright Solid Door & Handle
6. Add 1" to Depth for Slant Solid Door & Handle
7. Merchandiser storage capacities are approximate & may vary due to type of ice, bag size, and methods of loading.



DIMENSIONAL DRAWINGS





MODEL 60

MODEL 60 SLANT

PRODUCT SPECIFICATIONS

Standard Model Numbers

Auto Defrost – R404a:	L060UASE
Cold Wall – R404a:	L060UCSE
Auto Defrost – R290:	L060UASP
Cold Wall – R290:	L060UCSP

Dimensions & Capacities

7 lb. Bags - Auto Defrost:	180
20 lb. Bags - Auto Defrost:	70
7 lb. Bags - Cold Wall:	200
20 lb. Bags - Cold Wall:	80
Approx. Interior Cubic Feet:	60
Dimensions (W"xD"xH"):	73 x 30 x 76.5
Door Size (W"x H"):	27 x 46

Operating Temperature

(X°F - X°F):	16 - 24
Control:	Electronic Control

Product Weight

Auto Defrost (lbs.):	455
Cold Wall (lbs.):	425

Electrical

Voltage (V/Hz):	115 / 60
Min. Circuit Required (Amps):	15
Auto Defrost (Amps):	6.3
Cold Wall (Amps):	6.3
230V/50Hz Available:	Upon Request

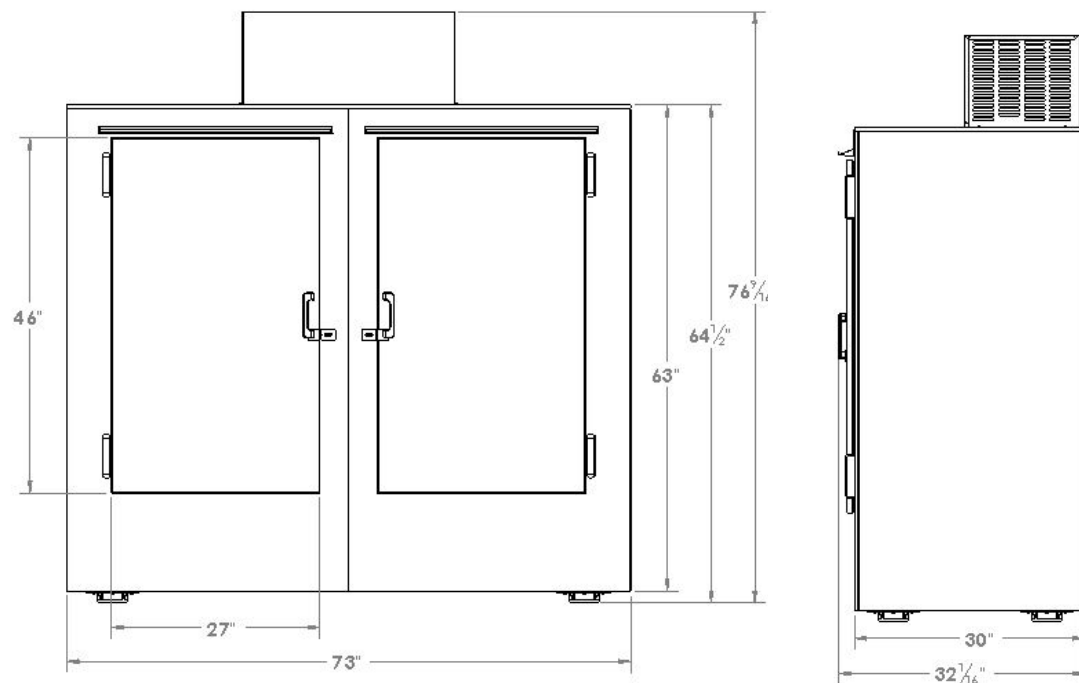
Other

Compressor (HP):	1/3
Refrigerant:	R404a, R290
Certifications:	UL, cUL, CE
DOE Compliant:	Yes
CARB Compliant:	Upon Request
NSF Available:	Upon Request

1. Height Includes Compressor
2. Add 3" to Depth for Condensate Evaporator Pan
3. Add 3" to Depth for Low Profile Raceway
4. Add 3.5" to Depth for Glass Door & Handle
5. Add 3" to Depth for Upright Solid Door & Handle
6. Add 1" to Depth for Slant Solid Door & Handle
7. Merchandiser storage capacities are approximate & may vary due to type of ice, bag size, and methods of loading.



DIMENSIONAL DRAWINGS



PRODUCT SPECIFICATIONS

Standard Model Numbers

Auto Defrost – R404a:	L060SASE
Cold Wall – R404a:	L060SCSE
Auto Defrost – R290:	L060SASP
Cold Wall – R290:	L060SCSP

Dimensions & Capacities

7 lb. Bags - Auto Defrost:	180
20 lb. Bags - Auto Defrost:	70
7 lb. Bags - Cold Wall:	200
20 lb. Bags - Cold Wall:	80
Approx. Interior Cubic Feet:	60
Dimensions (W"xD"xH"):	73 x 35.5 x 68.5
Door Size (W"x H"):	27 x 27

Operating Temperature

(X°F - X°F):	16 - 24
Control:	Electronic Control

Product Weight

Auto Defrost (lbs.):	435
Cold Wall (lbs.):	400

Electrical

Voltage (V/Hz):	115 / 60
Min. Circuit Required (Amps):	15
Auto Defrost (Amps):	6.3
Cold Wall (Amps):	6.3
230V/50Hz Available:	Upon Request

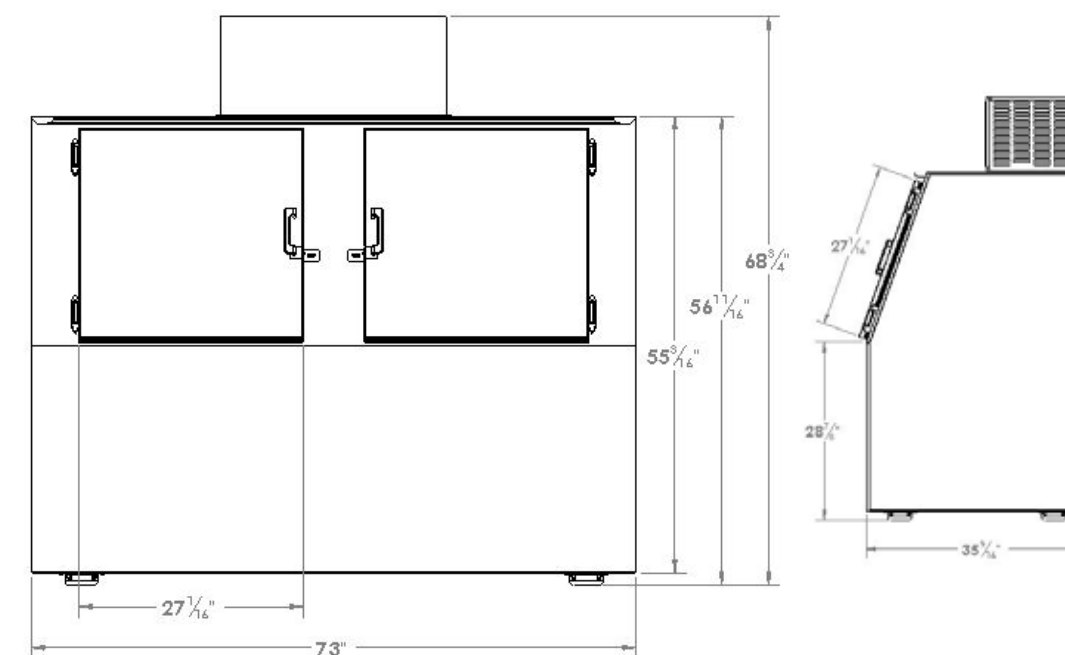
Other

Compressor (HP):	1/3
Refrigerant:	R404a, R290
Certifications:	UL, cUL, CE
DOE Compliant:	Yes
CARB Compliant:	Upon Request
NSF Available:	Upon Request

1. Height Includes Compressor
2. Add 3" to Depth for Condensate Evaporator Pan
3. Add 3" to Depth for Low Profile Raceway
4. Add 3.5" to Depth for Glass Door & Handle
5. Add 3" to Depth for Upright Solid Door & Handle
6. Add 1" to Depth for Slant Solid Door & Handle
7. Merchandiser storage capacities are approximate & may vary due to type of ice, bag size, and methods of loading.



DIMENSIONAL DRAWINGS





MODEL 612 LOW PROFILE

MODEL 64

PRODUCT SPECIFICATIONS

Standard Model Numbers

Auto Defrost – R404a:	L612LASE
Cold Wall – R404a:	L612LCSE
Auto Defrost – R290:	L612LASP
Cold Wall – R290:	L612LCSP

Dimensions & Capacities

7 lb. Bags - Auto Defrost:	170
20 lb. Bags - Auto Defrost:	65
7 lb. Bags - Cold Wall:	180
20 lb. Bags - Cold Wall:	70
Approx. Interior Cubic Feet:	61
Dimensions (W"xD"xH"):	94 x 35.5 x 49.5
Door Size (W"x H"):	27 x 27

Operating Temperature

(X°F - X°F):	16 - 24
Control:	Electronic Control

Product Weight

Auto Defrost (lbs.):	495
Cold Wall (lbs.):	462

Electrical

Voltage (V/Hz):	115 / 60
Min. Circuit Required (Amps):	15
Auto Defrost (Amps):	6.3
Cold Wall (Amps):	6.3
230V/50Hz Available:	Upon Request

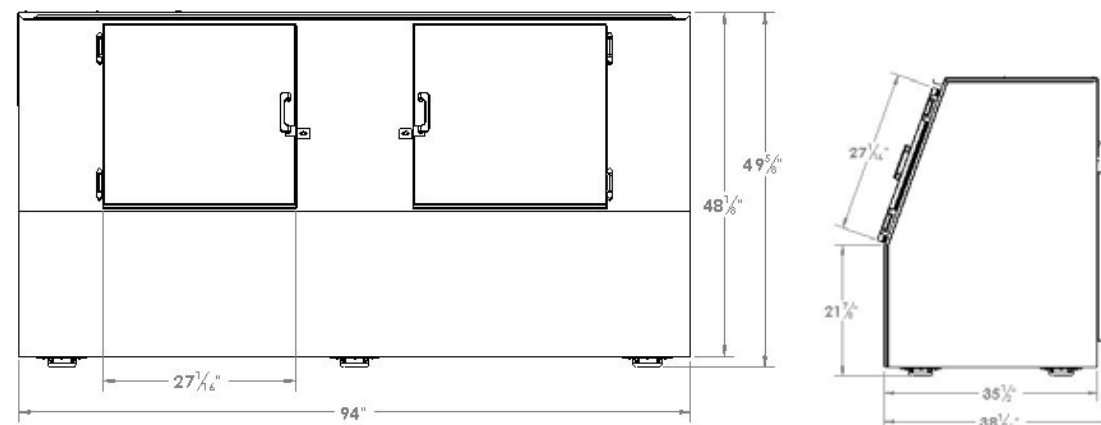
Other

Compressor (HP):	1/3
Refrigerant:	R404a, R290
Certifications:	UL, cUL, CE
DOE Compliant:	Yes
CARB Compliant:	Upon Request
NSF Available:	Upon Request

1. Height Includes Compressor
2. Add 3" to Depth for Condensate Evaporator Pan
3. Add 3" to Depth for Low Profile Raceway
4. Add 3.5" to Depth for Glass Door & Handle
5. Add 3" to Depth for Upright Solid Door & Handle
6. Add 1" to Depth for Slant Solid Door & Handle
7. Merchandiser storage capacities are approximate & may vary due to type of ice, bag size, and methods of loading.



DIMENSIONAL DRAWINGS



PRODUCT SPECIFICATIONS

Standard Model Numbers

Auto Defrost – R404a:	L064UASE
Cold Wall – R404a:	L064UCSE
Auto Defrost – R290:	L064UASP
Cold Wall – R290:	L064UCSP

Dimensions & Capacities

7 lb. Bags - Auto Defrost:	170
20 lb. Bags - Auto Defrost:	65
7 lb. Bags - Cold Wall:	190
20 lb. Bags - Cold Wall:	70
Approx. Interior Cubic Feet:	65
Dimensions (W"xD"xH"):	64 x 35.5 x 76.5
Door Size (W"x H"):	27 x 46

Operating Temperature

(X°F - X°F):	16 - 24
Control:	Electronic Control

Product Weight

Auto Defrost (lbs.):	430
Cold Wall (lbs.):	405

Electrical

Voltage (V/Hz):	115 / 60
Min. Circuit Required (Amps):	15
Auto Defrost (Amps):	10
Cold Wall (Amps):	10
230V/50Hz Available:	Upon Request

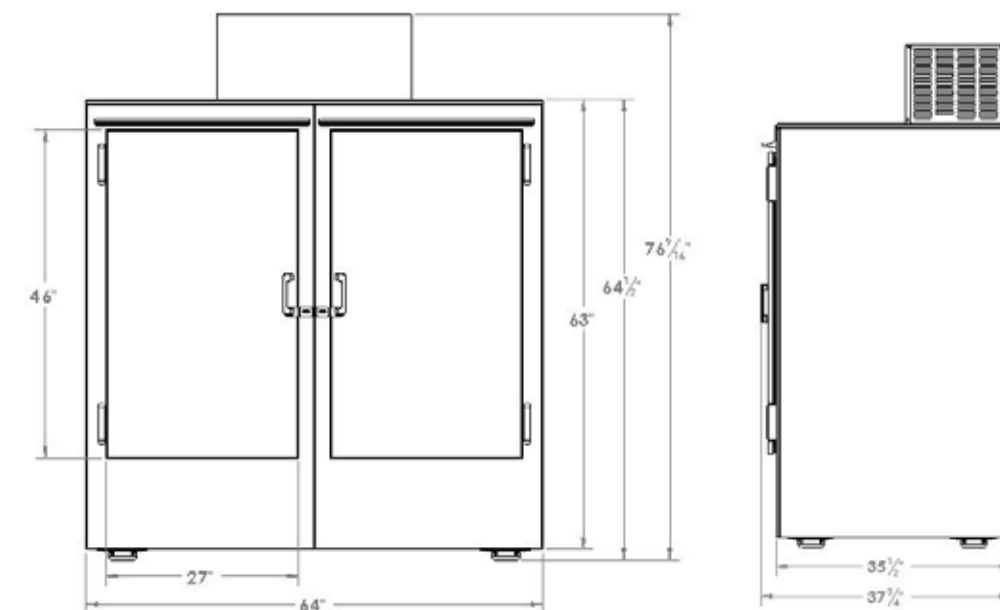
Other

Compressor (HP):	1/2
Refrigerant:	R404a, R290
Certifications:	UL, cUL, CE
DOE Compliant:	Yes
CARB Compliant:	Upon Request
NSF Available:	Upon Request

1. Height Includes Compressor
2. Add 3" to Depth for Condensate Evaporator Pan
3. Add 3" to Depth for Low Profile Raceway
4. Add 3.5" to Depth for Glass Door & Handle
5. Add 3" to Depth for Upright Solid Door & Handle
6. Add 1" to Depth for Slant Solid Door & Handle
7. Merchandiser storage capacities are approximate & may vary due to type of ice, bag size, and methods of loading.



DIMENSIONAL DRAWINGS





MODEL 65

MODEL 75

PRODUCT SPECIFICATIONS

Standard Model Numbers

Auto Defrost – R404a:	L065UASE
Cold Wall – R404a:	L065UCSE
Auto Defrost – R290:	L065UASP
Cold Wall – R290:	L065UCSP

Dimensions & Capacities

7 lb. Bags - Auto Defrost:	170
20 lb. Bags - Auto Defrost:	65
7 lb. Bags - Cold Wall:	190
20 lb. Bags - Cold Wall:	70
Approx. Interior Cubic Feet:	65
Dimensions (W"xD"xH"):	64 x 35.5 x 76.5
Door Size (W"x H"):	27 x 46

Operating Temperature

(X°F - X°F):	16 - 24
Control:	Electronic Control

Product Weight

Auto Defrost (lbs.):	430
Cold Wall (lbs.):	405

Electrical

Voltage (V/Hz):	115 / 60
Min. Circuit Required (Amps):	15
Auto Defrost (Amps):	6.3
Cold Wall (Amps):	6.3
230V/50Hz Available:	Upon Request

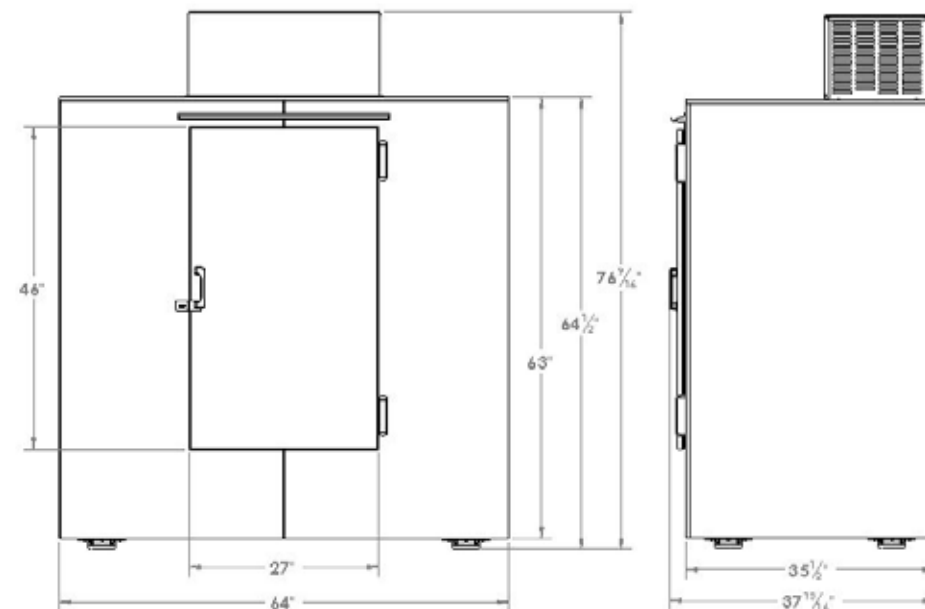
Other

Compressor (HP):	1/3
Refrigerant:	R404a, R290
Certifications:	UL, cUL, CE
DOE Compliant:	Yes
CARB Compliant:	Upon Request
NSF Available:	Upon Request

1. Height Includes Compressor
2. Add 3" to Depth for Condensate Evaporator Pan
3. Add 3" to Depth for Low Profile Raceway
4. Add 3.5" to Depth for Glass Door & Handle
5. Add 3" to Depth for Upright Solid Door & Handle
6. Add 1" to Depth for Slant Solid Door & Handle
7. Merchandiser storage capacities are approximate & may vary due to type of ice, bag size, and methods of loading.



DIMENSIONAL DRAWINGS



PRODUCT SPECIFICATIONS

Standard Model Numbers

Auto Defrost – R404a:	L075UASE
Cold Wall – R404a:	L075UCSE
Auto Defrost – R290:	L075UASP
Cold Wall – R290:	L075UCSP

Dimensions & Capacities

7 lb. Bags - Auto Defrost:	210
20 lb. Bags - Auto Defrost:	80
7 lb. Bags - Cold Wall:	230
20 lb. Bags - Cold Wall:	90
Approx. Interior Cubic Feet:	75
Dimensions (W"xD"xH"):	73 x 35.5 x 76.5
Door Size (W"x H"):	27 x 46

Operating Temperature

(X°F - X°F):	16 - 24
Control:	Electronic Control

Product Weight

Auto Defrost (lbs.):	490
Cold Wall (lbs.):	450

Electrical

Voltage (V/Hz):	115 / 60
Min. Circuit Required (Amps):	15
Auto Defrost (Amps):	10
Cold Wall (Amps):	10
230V/50Hz Available:	Upon Request

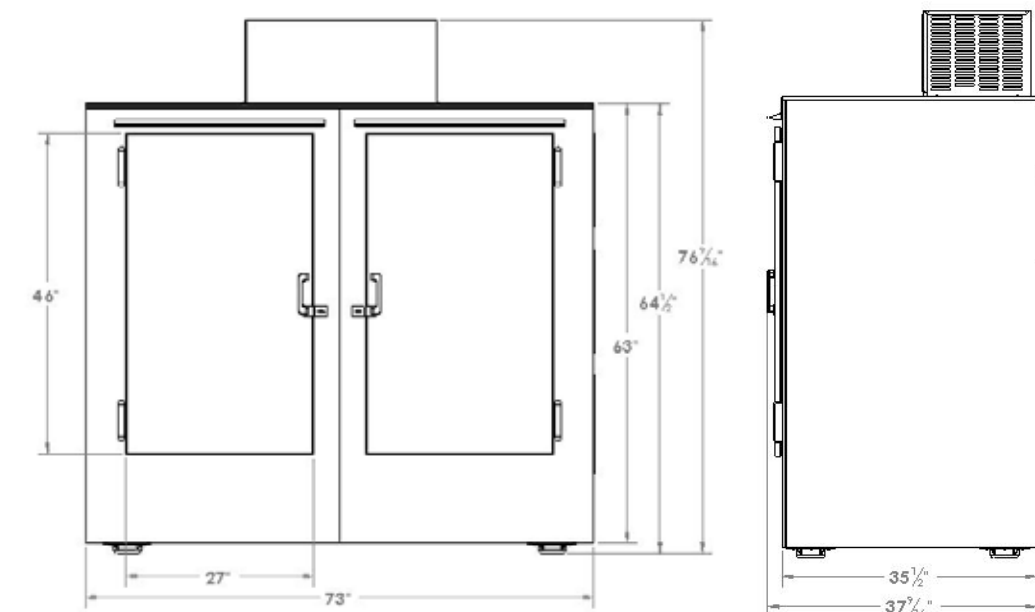
Other

Compressor (HP):	1/2
Refrigerant:	R404a, R290
Certifications:	UL, cUL, CE
DOE Compliant:	Yes
CARB Compliant:	Upon Request
NSF Available:	Upon Request

1. Height Includes Compressor
2. Add 3" to Depth for Condensate Evaporator Pan
3. Add 3" to Depth for Low Profile Raceway
4. Add 3.5" to Depth for Glass Door & Handle
5. Add 3" to Depth for Upright Solid Door & Handle
6. Add 1" to Depth for Slant Solid Door & Handle
7. Merchandiser storage capacities are approximate & may vary due to type of ice, bag size, and methods of loading.



DIMENSIONAL DRAWINGS





MODEL 75 SLANT

MODEL 85

PRODUCT SPECIFICATIONS

Standard Model Numbers

Auto Defrost – R404a:	L075SASE
Cold Wall – R404a:	L075SCSE
Auto Defrost – R290:	L075SASP
Cold Wall – R290:	L075SCSP

Dimensions & Capacities

7 lb. Bags - Auto Defrost:	210
20 lb. Bags - Auto Defrost:	82
7 lb. Bags - Cold Wall:	240
20 lb. Bags - Cold Wall:	90
Approx. Interior Cubic Feet:	75
Dimensions (W"xD"xH"):	94 x 35.5 x 68.5
Door Size (W"x H"):	27 x 27

Operating Temperature

(X°F - X°F):	16 - 24
Control:	Electronic Control

Product Weight

Auto Defrost (lbs.):	520
Cold Wall (lbs.):	480

Electrical

Voltage (V/Hz):	115 / 60
Min. Circuit Required (Amps):	15
Auto Defrost (Amps):	10
Cold Wall (Amps):	10
230V/50Hz Available:	Upon Request

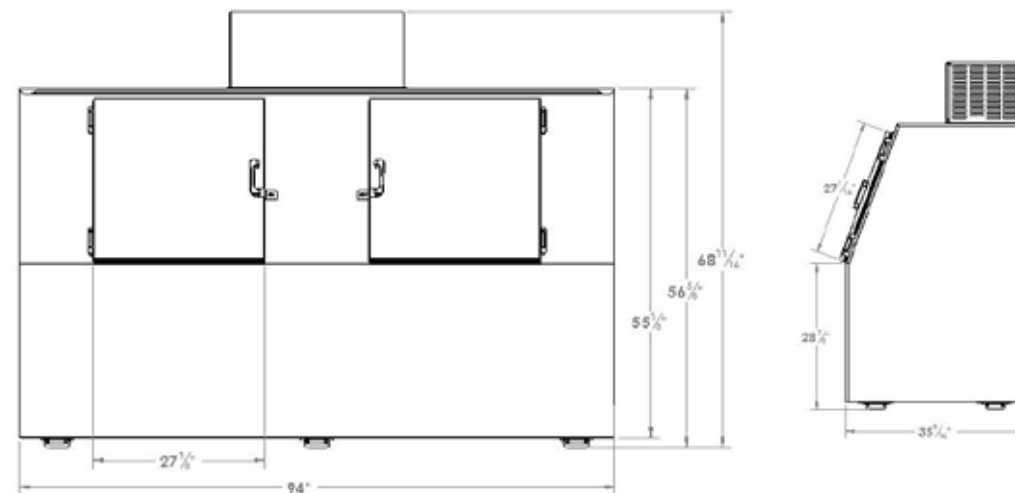
Other

Compressor (HP):	1/2
Refrigerant:	R404a, R290
Certifications:	UL, cUL, CE
DOE Compliant:	Yes
CARB Compliant:	Upon Request
NSF Available:	Upon Request

1. Height Includes Compressor
2. Add 3" to Depth for Condensate Evaporator Pan
3. Add 3" to Depth for Low Profile Raceway
4. Add 3.5" to Depth for Glass Door & Handle
5. Add 3" to Depth for Upright Solid Door & Handle
6. Add 1" to Depth for Slant Solid Door & Handle
7. Merchandiser storage capacities are approximate & may vary due to type of ice, bag size, and methods of loading.



DIMENSIONAL DRAWINGS



PRODUCT SPECIFICATIONS

Standard Model Numbers

Auto Defrost – R404a:	L085UASE
Cold Wall – R404a:	L085UCSE
Auto Defrost – R290:	L085UASP
Cold Wall – R290:	L085UCSP

Dimensions & Capacities

7 lb. Bags - Auto Defrost:	230
20 lb. Bags - Auto Defrost:	90
7 lb. Bags - Cold Wall:	260
20 lb. Bags - Cold Wall:	100
Approx. Interior Cubic Feet:	85
Dimensions (W"xD"xH"):	84 x 35.5 x 76.5
Door Size (W"x H"):	27 x 46

Operating Temperature

(X°F - X°F):	16 - 24
Control:	Electronic Control

Product Weight

Auto Defrost (lbs.):	545
Cold Wall (lbs.):	505

Electrical

Voltage (V/Hz):	115 / 60
Min. Circuit Required (Amps):	15
Auto Defrost (Amps):	10
Cold Wall (Amps):	10
230V/50Hz Available:	Upon Request

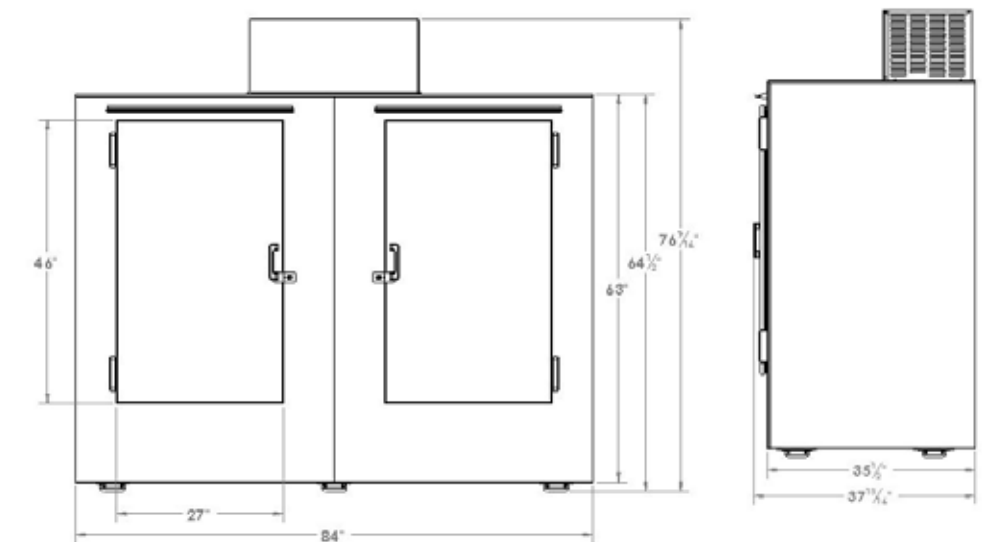
Other

Compressor (HP):	1/2
Refrigerant:	R404a, R290
Certifications:	UL, cUL, CE
DOE Compliant:	Yes
CARB Compliant:	Upon Request
NSF Available:	Upon Request

1. Height Includes Compressor
2. Add 3" to Depth for Condensate Evaporator Pan
3. Add 3" to Depth for Low Profile Raceway
4. Add 3.5" to Depth for Glass Door & Handle
5. Add 3" to Depth for Upright Solid Door & Handle
6. Add 1" to Depth for Slant Solid Door & Handle
7. Merchandiser storage capacities are approximate & may vary due to type of ice, bag size, and methods of loading.



DIMENSIONAL DRAWINGS





MODEL 100



MODEL 115 CORNER REFRIGERATION

PRODUCT SPECIFICATIONS

Standard Model Numbers

Auto Defrost – R404a:	L100UASE
Cold Wall – R404a:	L100UCSE
Auto Defrost – R290:	L100UASP
Cold Wall – R290:	L100UCSP

Dimensions & Capacities

7 lb. Bags - Auto Defrost:	260
20 lb. Bags - Auto Defrost:	100
7 lb. Bags - Cold Wall:	290
20 lb. Bags - Cold Wall:	110
Approx. Interior Cubic Feet:	100
Dimensions (W"xD"xH"):	94 x 35.5 x 76.5
Door Size (W"x H"):	27 x 46

Operating Temperature

(X°F - X°F):	16 - 24
Control:	Electronic Control

Product Weight

Auto Defrost (lbs.):	560
Cold Wall (lbs.):	530

Electrical

Voltage (V/Hz):	115 / 60
Min. Circuit Required (Amps):	15
Auto Defrost (Amps):	10
Cold Wall (Amps):	10
230V/50Hz Available:	Upon Request

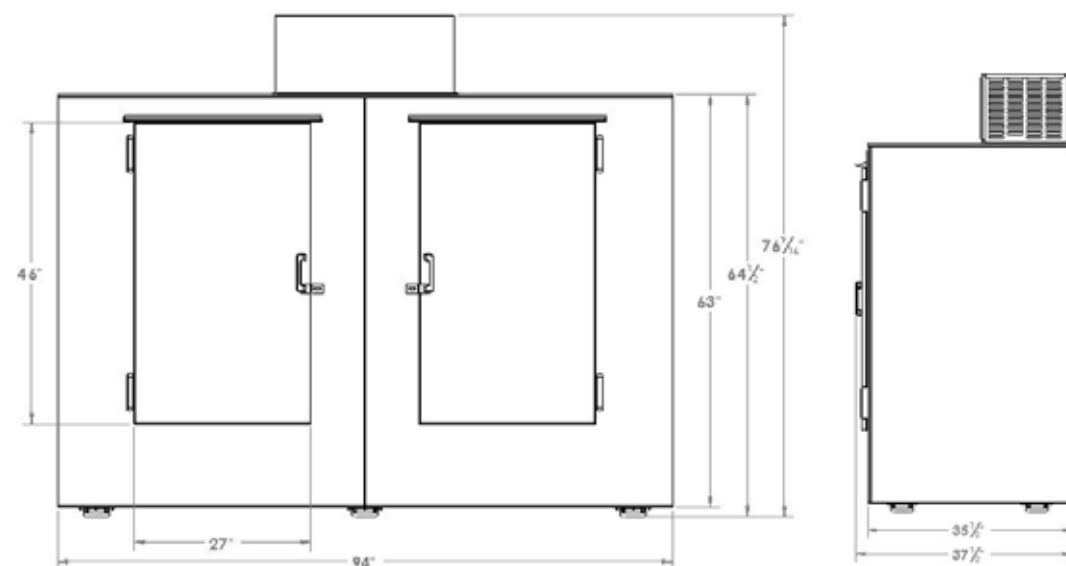
Other

Compressor (HP):	1/2
Refrigerant:	R404a, R290
Certifications:	UL, cUL, CE
DOE Compliant:	Yes
CARB Compliant:	Upon Request
NSF Available:	Upon Request

1. Height Includes Compressor
2. Add 3" to Depth for Condensate Evaporator Pan
3. Add 3" to Depth for Low Profile Raceway
4. Add 3.5" to Depth for Glass Door & Handle
5. Add 3" to Depth for Upright Solid Door & Handle
6. Add 1" to Depth for Slant Solid Door & Handle
7. Merchandiser storage capacities are approximate & may vary due to type of ice, bag size, and methods of loading.



DIMENSIONAL DRAWINGS



PRODUCT SPECIFICATIONS

Standard Model Numbers

Auto Defrost - R290:	CR115UASP
----------------------	-----------

Dimensions & Capacities

7 lb. Bags - Auto Defrost:	290
20 lb. Bags - Auto Defrost:	110
Approx. Interior Cubic Feet:	115
Dimensions (W"xD"xH"):	72 x 48 x 75
Door Size (W"x H"):	27 x 46

Operating Temperature

(X°F - X°F):	16 - 24
R290 Control:	Electronic

Product Weight

Auto Defrost (lbs.):	820
----------------------	-----

Electrical

Voltage (V/Hz):	115/60
Min. Circuit Required (Amps):	20
Auto Defrost (Amps):	13
230V/50Hz Available:	Upon Request

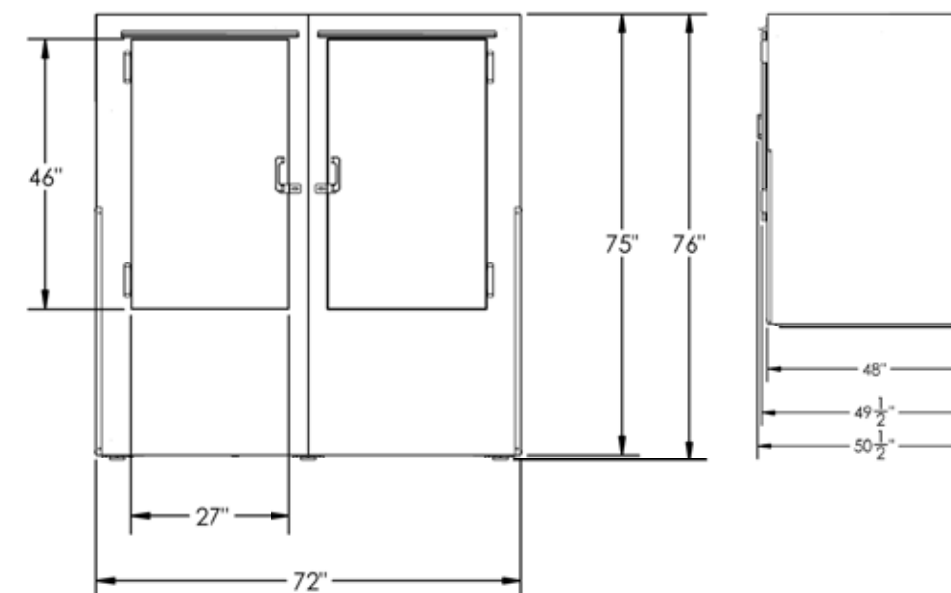
Other

Compressor (HP):	3/4
Refrigerant:	R290
Certifications:	UL, cUL
DOE Compliant:	Yes
CARB Compliant:	R290 Units
NSF Available:	No

1. Add 3" to Depth for Upright Solid Door & Handle
2. Merchandiser storage capacities are approximate & may vary due to type of ice, bag size, and methods of loading.



DIMENSIONAL DRAWINGS





MODEL 120



MODEL 150 CORNER REFRIGERATION

PRODUCT SPECIFICATIONS

Standard Model Numbers

Auto Defrost - R290: TD120UASP

Dimensions & Capacities

7 lb. Bags - Auto Defrost: 310

20 lb. Bags - Auto Defrost: 120

Approx. Interior Cubic Feet: 120

Dimensions (W"xD"xH"): 72 x 48 x 88

Door Size (W"x H"): 27 x 46

Operating Temperature

(X°F - X°F): 16 -24

R290 Control: Electronic

Product Weight

Auto Defrost (lbs.): 820

Electrical

Voltage (V/Hz): 115/60

Min. Circuit Required (Amps): 20

Auto Defrost (Amps): 13

230V/50Hz Available: Upon Request

Other

Compressor (HP): 3/4

Refrigerant: R290

Certifications: UL, cUL

DOE Compliant: Yes

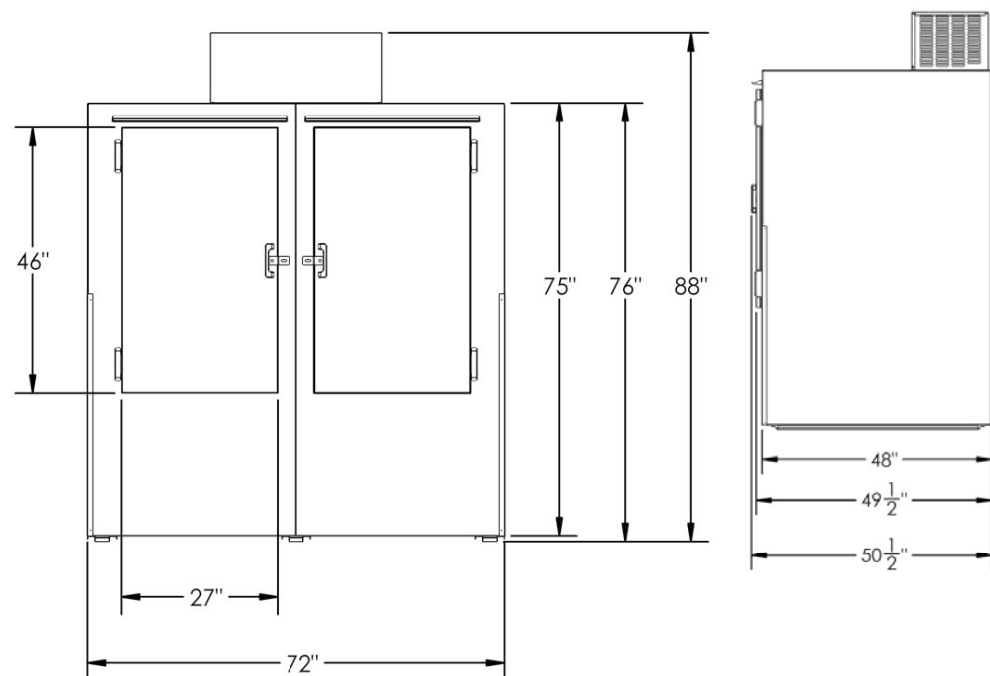
CARB Complaint: R290 Units

NSF Available: No

1. Height Includes Compressor
2. Add 3" to Depth for Upright Solid Door & Handle
3. Merchandiser storage capacities are approximate & may vary due to type of ice, bag size, and methods of loading.



DIMENSIONAL DRAWINGS



PRODUCT SPECIFICATIONS

Standard Model Numbers

Auto Defrost - R290: CR150UASP

Dimensions & Capacities

7 lb. Bags - Auto Defrost: 360

20 lb. Bags - Auto Defrost: 140

Approx. Interior Cubic Feet: 150

Dimensions (W"xD"xH"): 96 x 48 x 75

Door Size (W"x H"): 27 x 46

Operating Temperature

(X°F - X°F): 16 -24

R290 Control: Electronic

Product Weight

Auto Defrost (lbs.): 970

Electrical

Voltage (V/Hz): 115/60

Min. Circuit Required (Amps): 20

Auto Defrost (Amps): 13

230V/50Hz Available: Upon Request

Other

Compressor (HP): 3/4

Refrigerant: R290

Certifications: UL, cUL

DOE Compliant: Yes

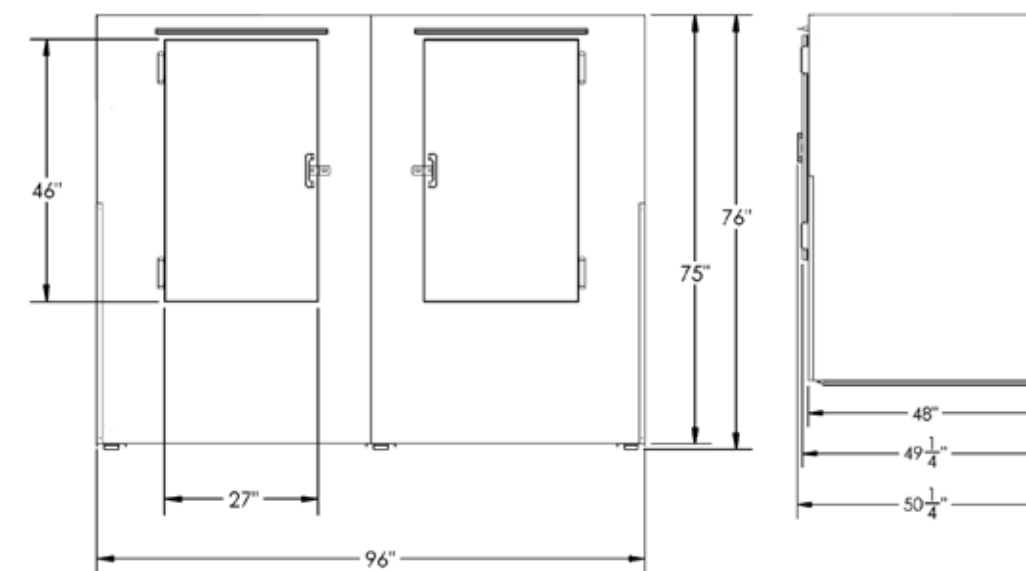
CARB Complaint: R290 Units

NSF Available: No

1. Add 3" to Depth for Upright Solid Door & Handle
2. Merchandiser storage capacities are approximate & may vary due to type of ice, bag size, and methods of loading.



DIMENSIONAL DRAWINGS





MODEL 155



PALLET LOAD ICE MERCHANDISERS

PRODUCT SPECIFICATIONS

Standard Model Numbers

Auto Defrost - R404a:	L155UASX
Auto Defrost - R290:	L155UASP

Dimensions & Capacities

7 lb. Bags - Auto Defrost:	390
20 lb. Bags - Auto Defrost:	150
Approx. Interior Cubic Feet:	155
Dimensions (W"xD"xH"):	90 x 48 x 88
Door Size (W"x H"):	27 x 46

Operating Temperature

(X°F - X°F):	16 -24
R404a Control:	Mechanical
R290 Control:	Electronic

Product Weight

Auto Defrost (lbs.):	970
----------------------	-----

Electrical

Voltage (V/Hz):	115/60
Min. Circuit Required (Amps):	20
Auto Defrost (Amps):	13
230V/50Hz Available:	Upon Request

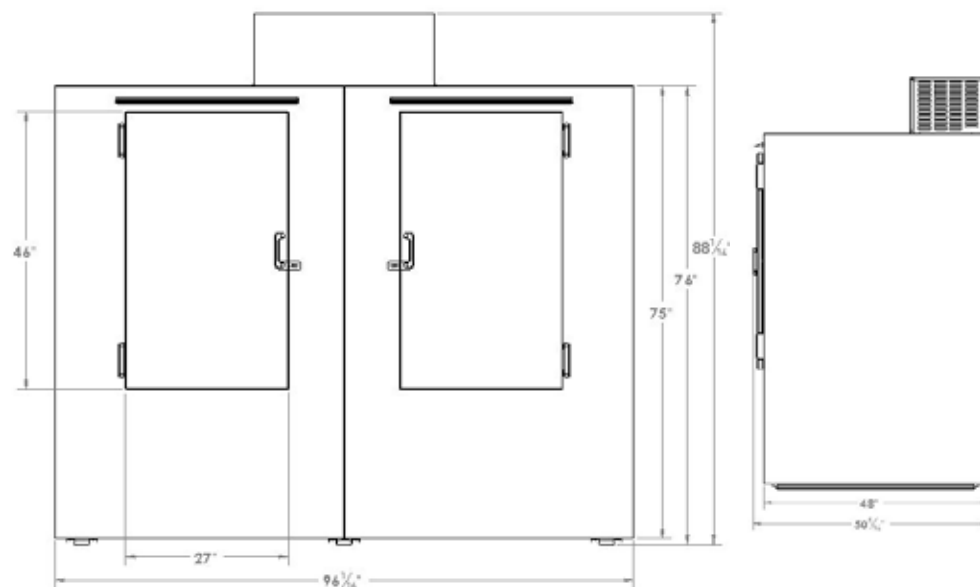
Other

Compressor (HP):	3/4
Refrigerant:	R404a, R290
Certifications:	UL, cUL
DOE Compliant:	Yes
CARB Complaint:	R290 Units
NSF Available:	No

1. Height Includes Compressor
2. Add 3" to Depth for Upright Solid Door & Handle
3. Merchandiser storage capacities are approximate & may vary due to type of ice, bag size, and methods of loading.



DIMENSIONAL DRAWINGS



PL150



INDOOR PL225



OUTDOOR PL225

	PL150	INDOOR PL225	OUTDOOR PL225
STANDARD MODEL NUMBERS			
Auto Defrost - R404a:	L150UAGEPL	L225UAGEPL	L225UASEPL
Auto Defrost - R290:	L150UAGPPL	L225UAGPPL	L225UASPPL
DIMENSIONS & CAPACITIES			
7 lb. Bags - Auto Defrost:	260	520	520
20 lb. Bags - Auto Defrost:	100	200	200
Approx. Interior Cubic Feet:	150	225	225
Dimensions (W" x D" x H"):	72 x 54 x 101	108 x 56 x 96.5	108 x 56 x 96.5
Door Size (W" x H"):	28 x 56	28 x 56	27 x 55
Loading Door Size	64 x 75	45 x 75	45 x 75
OPERATING TEMPERATURE			
(X°F - X°F):	16 - 24	16 - 24	16 - 24
Control:	Electronic Control	Electronic Control	Electronic Control
PRODUCT WEIGHT			
Auto Defrost (lbs.):	1470	1780	1780
ELECTRICAL			
Voltage (V/Hz):	115 / 60	115 / 60	115 / 60
Min. Circuit Required (Amps):	20	20	20
Auto Defrost (Amps):	13	13	13
230V/50Hz Available:	Upon Request	Upon Request	Upon Request
OTHER			
Compressor (HP):	3/4	3/4	3/4
Refrigerant:	R404a, R290	R404a, R290	R404a, R290
Certifications:	UL, cUL	UL, cUL	UL, cUL
CARB Compliant:	R290 Units	R290 Units	R290 Units
DOE Compliant:	Yes	Yes	Yes
NSF Available:	No	No	No

1. Height Includes Compressor
2. Add 3" to Depth for Condensate Evaporator Pan
3. Add 3.5" to Depth for Glass Door & Handle
4. Add 3" to Depth for Upright Solid Door & Handle
5. Merchandiser storage capacities are approximate & may vary due to type of ice, bag size, and methods of loading.



PALLET LOAD ICE MERCHANDISERS



VIDEO LIBRARY leerinc.com/video-library



1. LEER INC.

- **Your Partner in Temperature-Controlled Storage Solutions** - With over 65 years of industry expertise, innovation and focus on manufacturing excellence, we're confident our products feature industry leading efficiency, reliability, durability and longevity - delivering an unbeatable value to you and your company.
- **Made in Wisconsin, USA** - Manufactured under a strict quality control program to ensure our products are delivered right the first time, right every time.
- **Iconic Red Snow-Capped ICE Decals** - The trademarked ICE decals are a staple of the Packaged Ice Industry and Leer's unique signature that you can't get anywhere else.
- **We're With You Every Degree of the Way** - As an employee owned company, our success depends on your success. We stand behind our products and are dedicated to your success by providing free lifetime technical support. Our engineers and customer service teams are available to help, whether you're a potential new customer or a lifetime customer of Leer.

2. CONSTRUCTION FEATURES

- **Patented Construction Features** - All steel construction with no fasteners, welding, or adhesives. The offset seams are precision machine formed, resulting in water-tight lock-form seams that create a stronger and more durable merchandiser. This increases longevity by reducing moisture penetration into the insulation.
- **Patented Removable Floor** - Insulated removable floor designed to easily transfer full pallets of ice in and out of the merchandiser via a pallet jack.
- **High R-Values** - Increased insulation to reduce heat infiltration into the unit - resulting in consistent and optimal temperatures of 16°F - 24°F. There's 3" of high-performance, eco-friendly, insulation in the ceiling and walls.
- **Rust Resistant** - The exterior of the merchandiser is finished with a two-part primer/top coat all-weather paint to provide superior resistance to humidity, corrosion, and other weather conditions.
- **Protective Tread Plate** - Standard with diamond tread plate to protect the merchandiser from dents and damage from customers and shopping carts.
- **Large Interior Capacity** - Interior capacity large enough to fit a full pallet of ice, while still on the pallet.

*Not all features apply to both models.

3. DOOR FEATURES

- **High-Impact Breaker Strip** - High-impact breaker strip, located around the perimeter of the door jamb, durable enough to withstand excessive wear and tear and provide a thermal break between the merchandiser interior and exterior.
- **Aluminum Door Frame** - The glass is encased in a long-lasting, durable, light-weight, aluminum frame.
- **Insulated Tempered Glass** - The doors contain argon-filled insulated tempered glass. The argon insulation decreases the merchandisers' U-Value, which is essentially the amount of solar heat transfer the glass allows into the unit.
- **Spring-Assisted Hinges** - The hinges are adjustable to ensure a lifetime of level, and solid sealing doors. Additionally, the springs help the door close securely and avoid accidentally being left open.
- **Chrome-Finish Hardware** - All hardware, including hinges and handles, have a chrome-finish to provide greater, strength durability, resistance to corrosion, and aesthetics.
- **Large Door Openings** - Oversized door openings for increased view and accessibility of the ice.
- **Oversized Transport-Style Doors** - Oversized transport-style doors large enough for a full pallet of ice to be loaded into the merchandiser via a pallet jack, in just minutes.

4. INTERIOR FEATURES

- **High-End Interior Finish** - Bright white interior finish.
- **Interior Lighting** - Standard with energy efficient LED lighting to help showcase the ice.

5. REFRIGERATION FEATURES

- **Serviceability** - On Automatic Defrost units, the drop-down evaporator allows for easier troubleshooting, maintenance, and servicing.
- **Compressor Cover** - Standard and provides air flow for better cooling of the condenser and compressor. It's also a layer of protection from harmful foreign objects.
- **Intelligent Electronic Controls** - Electronic controls feature a digital display, factory preset advanced custom settings, and built-in intelligence to ensure your merchandiser will consistently operate at the optimal settings for your environmental needs.



PL150



INDOOR PL225

PRODUCT SPECIFICATIONS

Standard Model Numbers

Auto Defrost - R404a:	L150UAGEPL
Auto Defrost - R290:	L150UAGPPL

Dimensions & Capacities

7 lb. Bags - Auto Defrost:	260
20 lb. Bags - Auto Defrost:	100
Approx. Interior Cubic Feet:	150
Dimensions (W"xD"xH"):	72 x 54 x 101
Door Size (W"x H"):	28 x 56
Loading Door Size (W" x H"):	64 x 75

Operating Temperature

(X°F - X°F):	16 -24
R404a Control:	Electronic
R290 Control:	Electronic

Product Weight

Auto Defrost (lbs.):	1470
----------------------	------

Electrical

Voltage (V/Hz):	115/60
Min. Circuit Required (Amps):	20
Auto Defrost (Amps):	13
230V/50Hz Available:	Upon Request

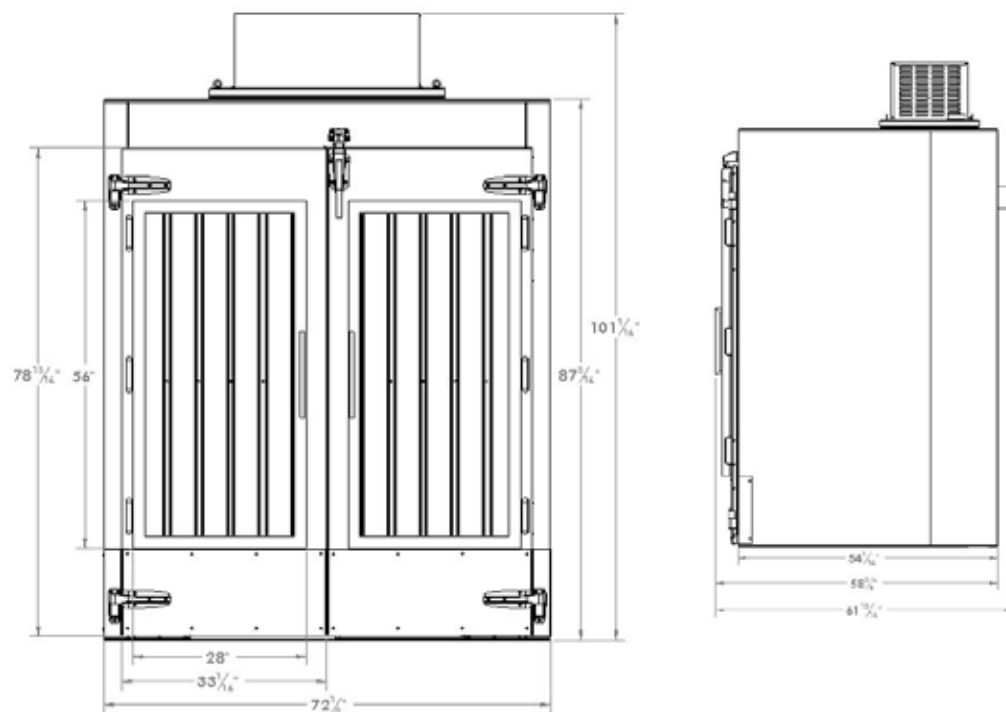
Other

Compressor (HP):	3/4
Refrigerant:	R404a, R290
Certifications:	UL, cUL
DOE Compliant:	Yes
CARB Complaint:	R290 Units
NSF Available:	No

1. Height Includes Compressor
2. Add 3" to Depth for Condensate Evaporator Pan
3. Add 3.5" to Depth for Glass Door & Handle
4. Merchandiser storage capacities are approximate & may vary due to type of ice, bag size, and methods of loading.



DIMENSIONAL DRAWINGS



PRODUCT SPECIFICATIONS

Standard Model Numbers

Auto Defrost - R404a:	L225UAGEPL
Auto Defrost - R290:	L225UAGPPL

Dimensions & Capacities

7 lb. Bags - Auto Defrost:	520
20 lb. Bags - Auto Defrost:	200
Approx. Interior Cubic Feet:	225
Dimensions (W"xD"xH"):	108 x 56 x 96.5
Door Size (W"x H"):	28 x 56
Loading Door Size (W" x H"):	45 x 75

Operating Temperature

(X°F - X°F):	16 -24
R404a Control:	Electronic
R290 Control:	Electronic

Product Weight

Auto Defrost (lbs.):	1780
----------------------	------

Electrical

Voltage (V/Hz):	115/60
Min. Circuit Required (Amps):	20
Auto Defrost (Amps):	13
230V/50Hz Available:	Upon Request

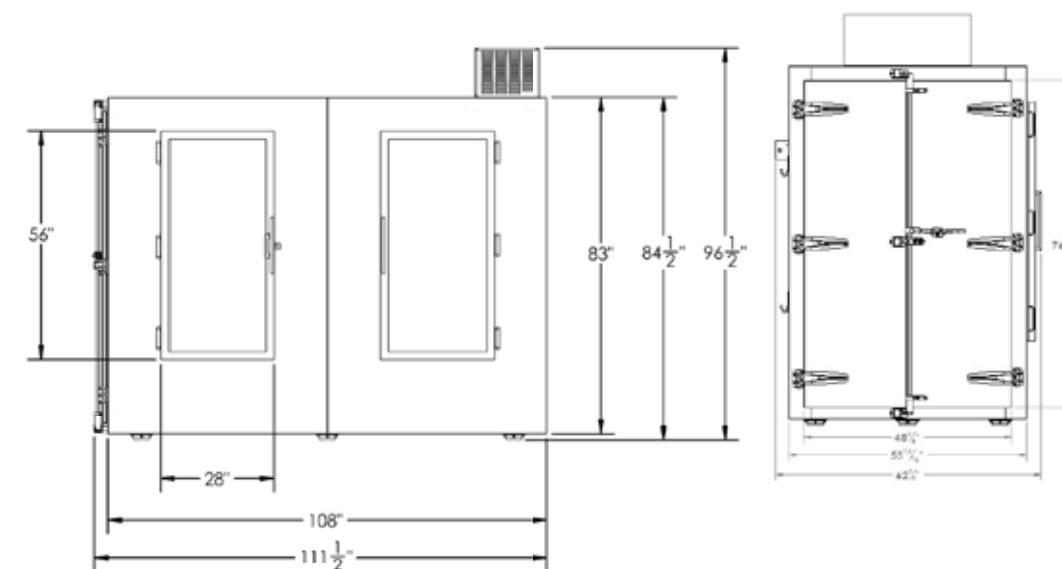
Other

Compressor (HP):	3/4
Refrigerant:	R404a, R290
Certifications:	UL, cUL
DOE Compliant:	Yes
CARB Complaint:	R290 Units
NSF Available:	No

1. Height Includes Compressor
2. Add 3" to Depth for Condensate Evaporator Pan
3. Add 3.5" to Depth for Glass Door & Handle
4. Merchandiser storage capacities are approximate & may vary due to type of ice, bag size, and methods of loading.



DIMENSIONAL DRAWINGS





OUTDOOR PL225

HOW TO BUY

PRODUCT SPECIFICATIONS

Standard Model Numbers

Auto Defrost - R404a:	L225UASEPL
Auto Defrost - R290:	L225UASPPL

Dimensions & Capacities

7 lb. Bags - Auto Defrost:	520
20 lb. Bags - Auto Defrost:	200
Approx. Interior Cubic Feet:	225
Dimensions (W"xD"xH"):	108 x 56 x 96.5
Door Size (W"x H"):	27 x 55
Loading Door Size (W" x H"):	45 x 75

Operating Temperature

(X°F - X°F):	16 -24
R404a Control:	Electronic
R290 Control:	Electronic

Product Weight

Auto Defrost (lbs.):	1780
----------------------	------

Electrical

Voltage (V/Hz):	115/60
Min. Circuit Required (Amps):	20
Auto Defrost (Amps):	13
230V/50Hz Available:	Upon Request

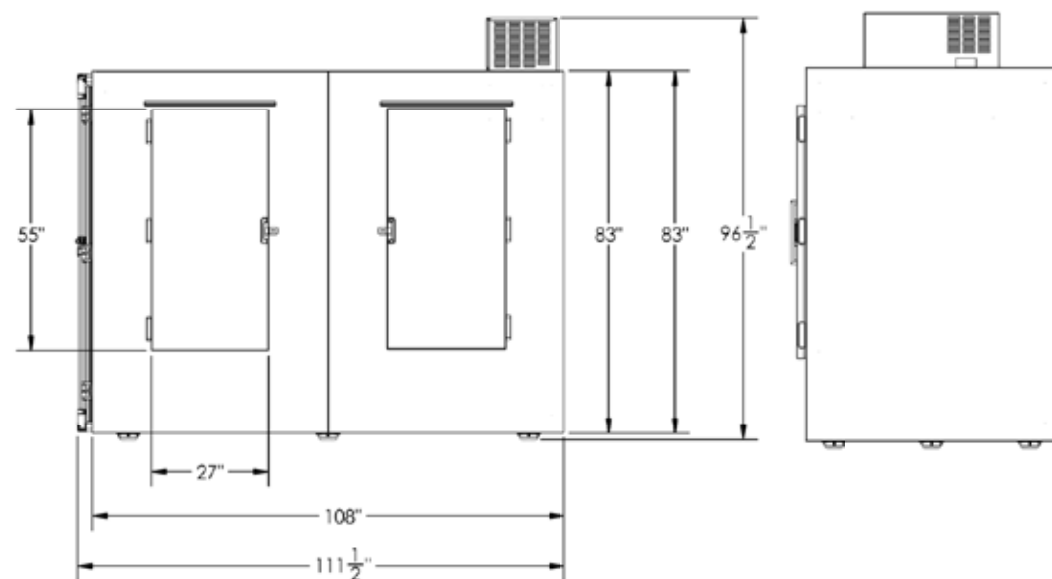
Other

Compressor (HP):	3/4
Refrigerant:	R404a, R290
Certifications:	UL, cUL
DOE Compliant:	Yes
CARB Complaint:	R290 Units
NSF Available:	No

1. Add 3" to Depth for Upright Solid Door & Handle
 2. Merchandiser storage capacities are approximate & may vary due to type of ice, bag size, and methods of loading.



DIMENSIONAL DRAWINGS



We want to be your trusted partner in temperature-controlled storage solutions and make your buying process as smooth as possible.

A DEDICATED TEAM OF EMPLOYEE-OWNERS READY TO ASSIST YOU

If you have any questions regarding our products, we welcome you to contact us! We're with you every degree of the way and always ready and happy to assist! Feel free to call, email or fill out our contact us form!

Call Technical Support and Customer Service:

(800) 766-5337

Email Us:

sales@leerinc.com

Leer Inc.
 206 Leer Street
 New Lisbon, WI 53950

Leer Distributors

Modern Ice

Tel: 513-367-2101
 Tel: 800-543-1581
<http://www.modernice.com/>
info@modernice.com

Automatic Ice Systems

Tel: 800-325-3667
 Tel: 314-849-4411
<http://www.automaticice.com/>
info@automaticice.com

Ice Systems & Supplies

Tel: 800-662-1273
 Tel: 803-324-8791
<http://www.issionline.com/>
info@issi.com

Ing-Tech Corporation

Tel: 800-599-4744
<http://www.itcpack.com/>
itc@itcpack.com

Ice Systems Australia

Tel: +61 (0) 7 5495 1425
<http://www.icesystemsaustr.com.au/>
info@icesystemsaustr.com.au

West Cool Germany

Tel: 0049-02102-16759-11
<http://www.westcool.de/>
o.thrun@westcool.de

