



UF27B-GLP01

Undercounter 27" Freezer with Glass Door




UF27B-GLP01
08/03/23
Item # 13585

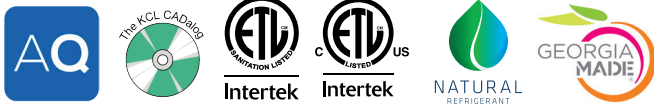
Item #: _____
 Project: _____
 Qty: _____
 AIA#: _____

W x D x H
27" x 31" x 31.9"*
*with 2.25" casters




Features

- ▶ **Stainless steel interior and exterior sides and top**
- ▶ **Energy efficient LED interior lights with on/off switch**
- ▶ **Meets ADA requirements** 



- Environmentally friendly R290 hydrocarbon refrigerant
- Cabinet and doors are insulated with 2" CFC free, foamed in place polyurethane
- Exclusive "stepped" door design to protect door gasket
- Spring assisted self-closing doors with stay open feature
- One piece, full length chrome handle
- Field reversible doors with kit
- Magnetic door gasket is easily removable for cleaning
- Hot gas condensate removal
- E-coated evaporator coil
- One epoxy coated shelf per section is standard
- Anodized aluminum shelf supports adjustable in 1/2" increments
- Standard with 2.25" casters (two with brakes)
- 10 ft. cord and plug

Dimensions / Capacity		One-Section UF27B-GLP01
Interior Storage Capacity (CF)		7.21 ft ³
Interior Storage Capacity (CF) (AHAM)		6.21 ft ³
Overall Width x Depth (including 1.5" plate/bumper)		27" x 32.5"
Height (including 2.25" casters)		31.9"
Door Opening Width x Height		22.75" x 23"
Depth with Door Open at 90° (including 1" bumper)		55.5"
Adjustable Shelves		1
Shelf Dimensions (W x D)		22" x 16"
Crated Weight		189 lbs.
Crated Length x Width x Height		36" x 31.5" x 35.5"
Electrical / Refrigeration		One-Section UF27B-GLP01
Voltage		115/60/1
HACR Breaker		15.0 Amps
Electrical Connection (NEMA)		5-15P 
Voltage Range		104-126
Ambient Temp. Range		45° to 80°F
Control Setpoint Range		-10° to 10°F
Amperage		3
Energy Consumption (kWh/day) @ASHRAE		4.32
Heat Rejection (BTU/Hr.) @NSF		468
Approx. Nominal Compres. BTU/HR (HP)		798 (1/5HP)
Refrigerant / Charge Amount (oz)		R290 (1.9 oz)

Options

- 4" casters
- 6" casters
- Additional epoxy shelves
- Stainless steel shelves
- Overshelves
- Foot pedals- Left hinge (HS-5378)
- Foot pedals- Right hinge (HS-5379)
- Lower epoxy shelf (HS-5161)
- Lower stainless steel shelf (HS-5169)



Valid in United States, Canada, Puerto Rico and U.S. Territories. Contact factory for warranty in other countries.

If GFCI is required, a GFCI breaker MUST be used in lieu of GFCI receptacle

Hoshizaki reserves the right to change specifications without notice.



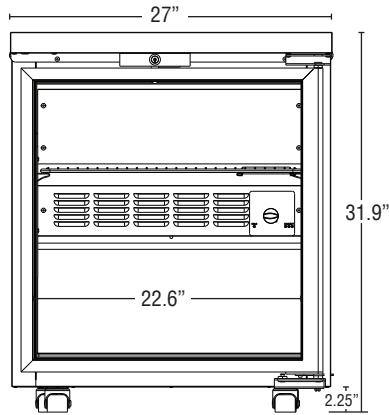
UF27B-GLP01

Undercounter 27" Freezer with Glass Door

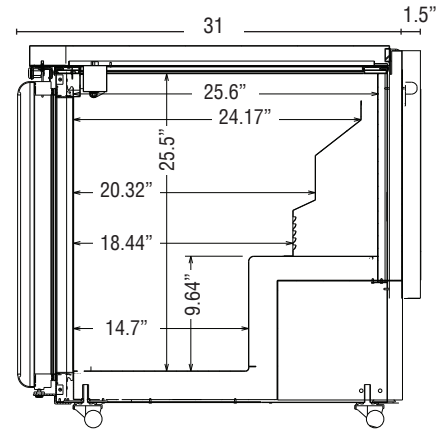


UF27B-GLP01
08/03/23
Item # 13585

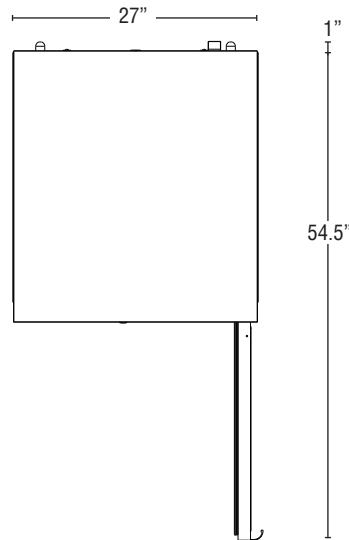
FRONT VIEW



SIDE VIEW



PLAN VIEW



Cabinet Construction

The exterior cabinet top, front, and sides, are constructed of high quality stainless steel. The exterior back and bottom are constructed of coated steel. The cabinet interior features stainless steel back, sides, floor and ceiling. One heavy duty epoxy coated shelf per section is standard. Mounted on anodized aluminum pilasters the shelves are adjustable in 1/2" increments. Cabinet are insulated with 2" CFC free foamed in place polyurethane. 2.25" polyolefin, stem casters (two with brakes) are standard.

Door Construction

Doors are constructed of high grade stainless steel exterior with an ABS interior liner and are insulated with 2" CFC free foamed in place polyurethane. Hoshizaki's exclusive "stepped" design protects the gasket while product is removed from the cabinet. Doors are provided with a one piece, extruded aluminum, flush mount handle. Spring assisted self-closing doors are equipped with a stay open feature past 90° degrees. Snap-in magnetic door gaskets are durable and easily removed for cleaning. Door hinging is field reversible (with an optional door reversal hinge kit).

Refrigeration System

The high efficiency refrigeration system is self-contained with an E-coated evaporator for extended life. Condensate removal is accomplished with an energy efficient non-electric evaporation system. A capillary tube controls the flow of environmentally friendly R290 refrigerant through the evaporator. Unit is provided with an automatic time initiated heated defrost to remove any ice on the evaporator coil. 115 volt units are equipped with a ten foot cord and plug (20.0 amps or less).