



STAINLESS STEEL Glass Rack Storage Units

21" Wide Units



CRCR-24 Shown
Holds Up To 3 Glass Racks

Item #: _____	Qty #: _____
Model #: _____	
Project #: _____	



**Adjustable Stainless Steel
Glass Rack Slides**



CRCR-24-CT Shown
Holds Up To 3 Glass Racks

1" IPS Drain

FEATURES:

Enclosed base case with adjustable stainless steel glass rack slides.

Holds up to three glass racks.

Flat or corrugated tops available.

Drain located in back right of top.

3" diameter hole in back panel for plumbing.

Stainless steel legs with adjustable stainless steel bullet feet.

4" backsplash.

CRCR-24: 1" IPS drain hole in bottom shelf (Centered).

CRCR-24-CT: 1" IPS drain hole in top (Right rear) and in bottom shelf (Centered).

MATERIAL:

20 gauge, 300 stainless steel.

Backsplash: 22 gauge, 300 stainless steel.

Glass Rack Slides: 18 gauge, 300 stainless steel.

Drainboard: 22 gauge, 300 stainless steel.

Legs: 1 5/8" O.D. 16 gauge, stainless steel.
with adjustable plastic bullet feet.

MECHANICAL:

CRCR-24 - One 1" IPS drain

CRCR-24-CT - Two 1" IPS drains

Model #	Description	Size W x L x H	Top Drain Location L x W	Glass Rack Capacity*	Approx. Weight	Approx. Cu. Ft.
CRCR-24	Flat Top	21" x 24" x 33"	N/A	3	61 lbs.	13
CRCR-24-CT	Corrugated Top	21" x 24" x 33"	12" x 10 5/8"	3	61 lbs.	13

**Sizes Of Glass Racks Vary*



Customer Service Available To Assist You 1-800-645-3166 8:30 am - 8:00 pm E.S.T.

For Orders & Customer Service:
Email: customer@advancetabco.com or Fax: 631-242-6900

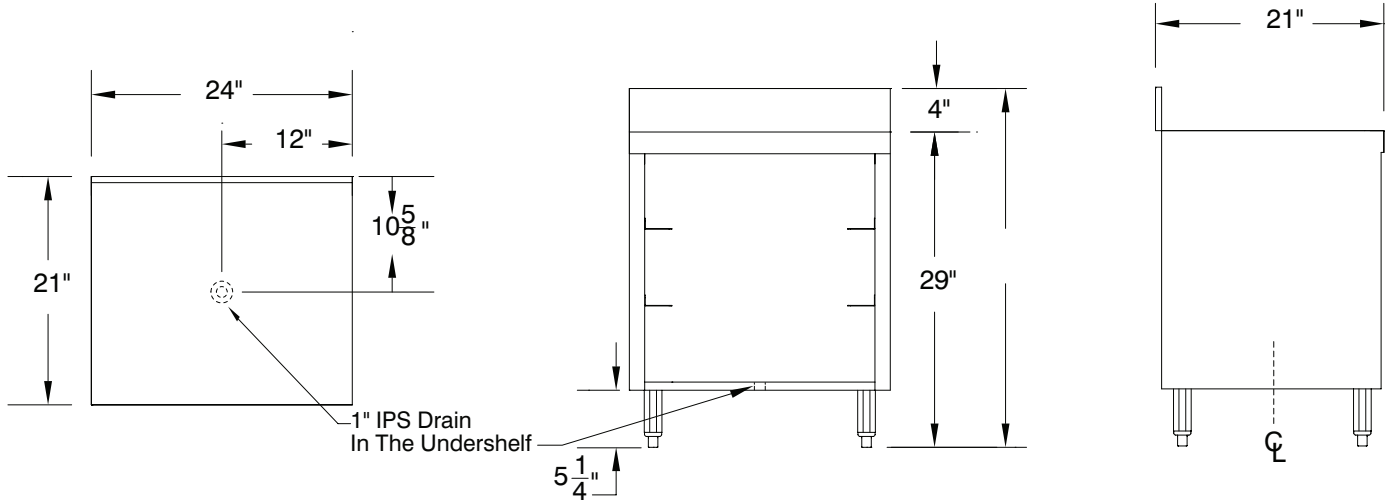
For Smart Fabrication™ Quotes:
Email: smartfab@advancetabco.com or Fax: 631-586-2933

DIMENSIONS and SPECIFICATIONS

TOL Overall: $\pm .500''$ Interior: $\pm .250''$

ALL DIMENSIONS ARE TYPICAL

CRCR-24



CRCR-24-CT

