

# VULCAN

## CATALOG OF REPLACEMENT PARTS

### VHG SERIES FRYERS

1VHG50A  
1VHG75A  
2VHG50A  
2VHG75A  
3VHG50A  
3VHG75A  
4VHG50A  
4VHG75A  
1VHG50C  
1VHG75C  
2VHG50C  
2VHG75C  
3VHG50C  
3VHG75C  
4VHG50C  
4VHG75C  
1VHG50D  
1VHG75D  
2VHG50D  
2VHG75D  
3VHG50D  
3VHG75D  
4VHG50D  
4VHG75D

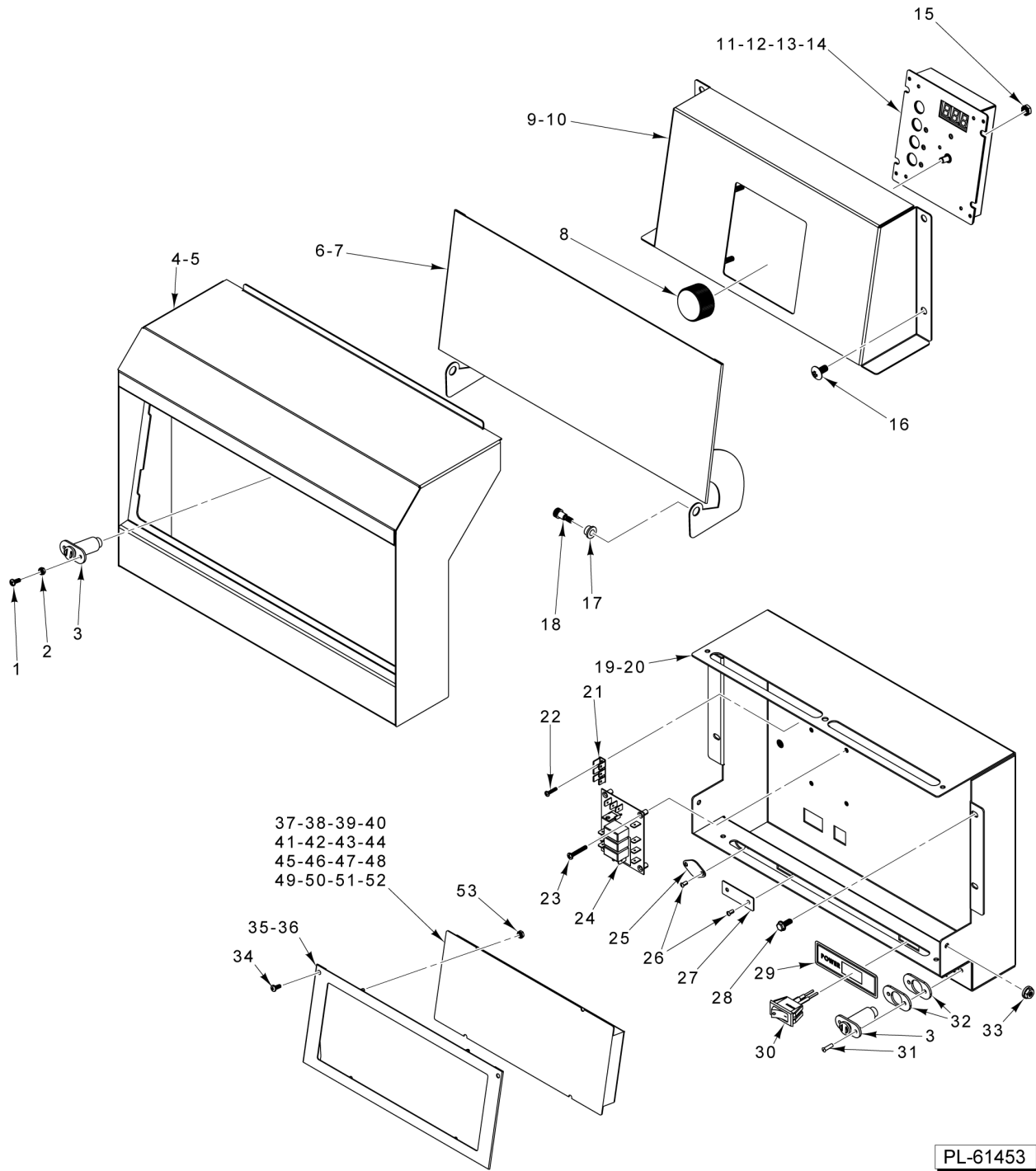


**For additional information on Vulcan or to locate an authorized parts  
and service provider in your area, visit our website at [www.vulcanequipment.com](http://www.vulcanequipment.com)**



**Table of Contents**

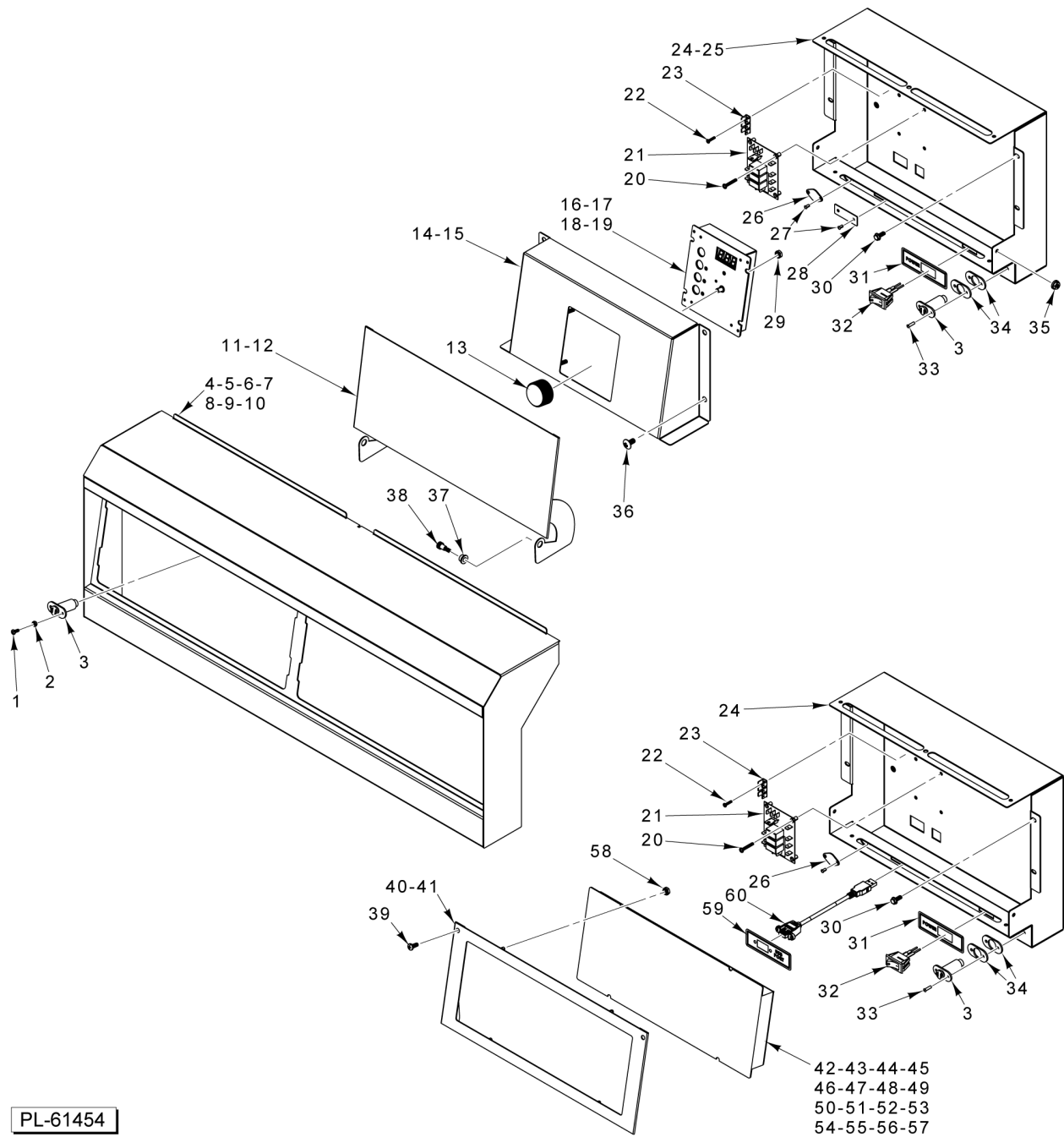
5	CONTROLS (SINGLE)
7	CONTROLS (MULTIPLE)
9	POWER BOX
11	PANELS
13	FILTRATION (SINGLE)
15	FILTRATION (MULTIPLE)
17	COMBUSTION
19	WIRE HARNESSSES



**CONTROLS (SINGLE)**

## CONTROLS (SINGLE)

ILLUS. PL-61453	PART NO.	NAME OF PART	AMT.
1	00-730030	Mach. Screw 6-32 x 3/4 In.....	2
2	NS-046-89	Nut Assy. 6-32 Hex KEPS.....	2
3	00-976750-00026	Magnet - Popper.....	2
4	00-976711-0AS45	Bullnose (Single) (VHG50).....	1
5	00-976716-0AS75	Bullnose (Single) (VHG75).....	1
6	00-976711-0004A	Door - Control Panel (VHG50).....	1
7	00-976716-0004A	Door - Control Panel (VHG75).....	1
8	00-976722-00004	Knob - Control.....	1
9	00-976711-0007A	Mount - Control Panel (VHG50) (A-Control).....	1
10	00-976716-0007A	Mount - Control Panel (VHG75) (A-Control).....	1
11	00-976722-00001	Overlay (A-Control) (W/ Filtration).....	1
12	00-976722-00002	Overlay (A-Control) (W/O Filtration).....	1
13	00-976722-00005	Kit - A-Control (W/ Filtration) (Incls. Controller, Overlay, & Knob).....	AR
14	00-976722-00006	Kit - A-Control (W/O Filtration) (Incls. Controller, Overlay, & Knob).....	AR
15	00-730534	Nut 10-24 Hex KEPS.....	4
16	00-723369	Mach. Screw 1/4-20 x 1/2 Phil. Truss Hd.....	4
17	00-976750-00032	Bearing 1/4 In.....	2
18	SC-132-86	Screw 10-24, 1/4 x 5/16.....	2
19	00-976711-00003	Box - Control Panel (VHG50).....	1
20	00-976716-00003	Box - Control Panel (VHG75).....	1
21	00-419317	Terminal - Stationary.....	1
22	SC-018-55	Mach. Screw 4-40 x 1/2 Phil. Pan Hd.....	2
23	00-944267	Screw 6-32 x 13/16 Phil. Pan Hd.....	4
24	00-427759-00003	Board - Interface.....	1
25	00-976750-00028	Magnet.....	1
26	RS-032-77	Rivet.....	2
27	00-959000-00003	Plate - Cover.....	1
28	SD-032-07	Self-Tapping Screw 10-24 x 1/2 Hex. Hex Washer Hd., Type TT.....	4
29	00-428906-00001	Overlay - Power.....	1
30	00-427755-000G1	Rocker Switch Assy.....	1
31		Rivet 1/8.....	2
32	00-976750-00027	Spacer - Magnet.....	2
33	NS-048-07	Lock Nut 10-24 Hex Special.....	2
34	00-730228	Self-Tapping Screw 10-24 x 1/2 Phil. Truss Hd.....	2
35	00-976711-004CD	Plate - Control Mount (VHG50) (C/D-Control).....	1
36	00-976716-004CD	Plate - Control Mount (VHG75) (C/D-Control).....	1
37	00-976705-00005	Kit - D-Control (W/ Filtration) (Incls. Controller & Overlay).....	AR
38	00-976705-00006	Kit - D-Control (W/O Filtration) (Incls. Controller & Overlay).....	AR
39	00-976705-00001	Overlay (W/ Filtration) (D Control).....	1
40	00-976705-00002	Overlay (W/O Filtration) (D Control).....	1
41	00-976706-00009	Kit - C-Control (W/ Filtration) (1-18) (Incls. Controller & Overlay).....	AR
42	00-976706-00010	Kit - C-Control (W/O Filtration) (1-18) (Incls. Controller & Overlay).....	AR
43	00-976706-00011	Kit - C-Control (W/ Filtration) (1-9) (Incls. Controller & Overlay).....	AR
44	00-976706-00012	Kit - C-Control (W/O Filtration) (1-9) (Incls. Controller & Overlay).....	AR
45	00-976706-00013	Kit - C-Control (W/ Filtration) (1-6) (Incls. Controller & Overlay).....	AR
46	00-976706-00014	Kit - C-Control (W/O Filtration) (1-6) (Incls. Controller & Overlay).....	AR
47	00-976706-00001	Overlay (W/ Filtration) (1-18) (C Control).....	1
48	00-976706-00002	Overlay (W/O Filtration) (1-18) (C Control).....	1
49	00-976706-00003	Overlay (W/ Filtration) (1-9) (C Control).....	1
50	00-976706-00004	Overlay (W/O Filtration) (1-9) (C Control).....	1
51	00-976706-00005	Overlay (W/ Filtration) (1-6) (C Control).....	1
52	00-976706-00006	Overlay (W/O Filtration) (1-6) (C Control).....	1
53	00-730534	Nut 10-24 Hex KEPS.....	4

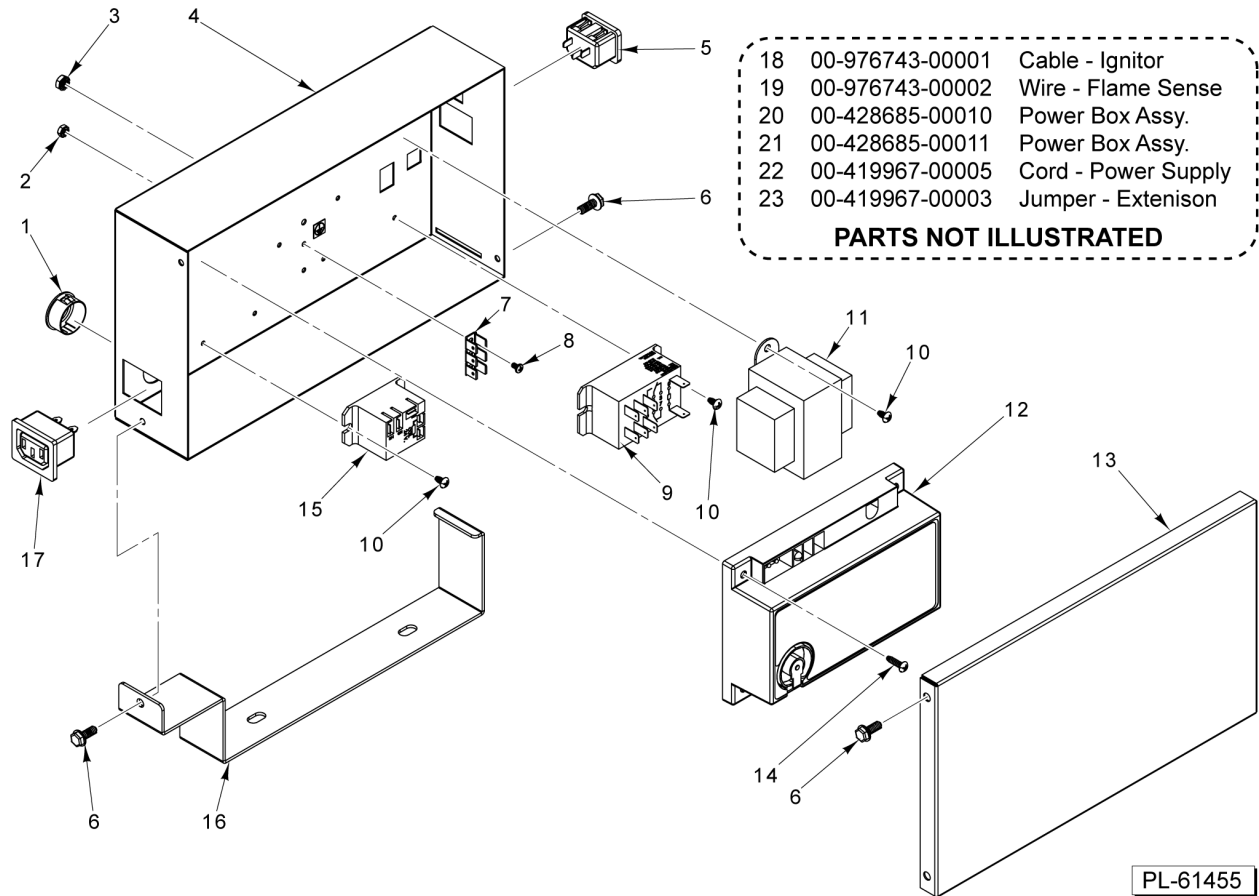


PL-61454

**CONTROLS (MULTIPLE)**

## CONTROLS (MULTIPLE)

ILLUS.	PART NO.	NAME OF PART	AMT.
PL-61454			
1	00-730030	Mach. Screw 6-32 x 3/4 In.....	2
2	NS-046-89	Nut Assy. 6-32 Hex KEPS.....	2
3	00-976750-00026	Magnet - Popper.....	3
4	00-976711-0AD45	Bullnose.....	1
5	00-976711-0AD45	Bullnose (Double) (VHG50).....	1
6	00-976716-0AD75	Bullnose (Double) (VHG75).....	1
7	00-976711-0AT45	Bullnose (Triple) (VHG50).....	1
8	00-976716-0AT75	Bullnose (Triple) (VHG75).....	1
9	00-976711-0AQ45	Bullnose (Quad) (VHG50).....	1
10	00-976716-0AQ75	Bullnose (Quad) (VHG75).....	1
11	00-976711-0004A	Door - Control Panel (VHG50).....	1
12	00-976716-0004A	Door - Control Panel (VHG75).....	1
13	00-976722-00004	Knob - Control.....	1
14	00-976711-0007A	Mount - Control Panel (VHG50) (A-Control).....	1
15	00-976716-0007A	Mount - Control Panel (VHG75) (A-Control).....	1
16	00-976722-00005	Kit - A-Control (W/ Filtration) (Incls. Controller, Overlay, & Knob).....	1
17	00-976722-00006	Kit - A-Control (W/O Filtration) (Incls. Controller, Overlay, & Knob).....	1
18	00-976722-00001	Overlay (A-Control) (W/ Filtration).....	1
19	00-976722-00002	Overlay (A-Control) (W/O Filtration).....	1
20	00-944267	Screw 6-32 x 13/16 Phil. Pan Hd.....	8
21	00-427759-00003	Board - Interface.....	2
22	SC-018-55	Mach. Screw 4-40 x 1/2 Phil. Pan Hd.....	4
23	00-419317	Terminal - Stationary.....	2
24	00-976711-00003	Box - Control Panel (VHG50).....	2
25	00-976716-00003	Box - Control Panel (VHG75).....	1
26	00-976750-00028	Magnet.....	2
27	RS-032-77	Rivet.....	6
28	00-959000-00003	Plate - Cover.....	1
29	00-730534	Nut 10-24 Hex KEPS.....	4
30	SD-032-07	Self-Tapping Screw 10-24 x 1/2 Hex. Hex Washer Hd., Type TT.....	8
31	00-428906-00001	Overlay - Power.....	2
32	00-427755-000G1	Rocker Switch Assy.....	2
33		Rivet 1/8.....	4
34	00-976750-00027	Spacer - Magnet.....	4
35	NS-048-07	Lock Nut 10-24 Hex Special.....	2
36	00-723369	Mach. Screw 1/4-20 x 1/2 Phil. Truss Hd.....	4
37	00-976750-00032	Bearing 1/4 In.....	2
38	SC-132-86	Screw 10-24, 1/4 x 5/16.....	2
39	00-730228	Self-Tapping Screw 10-24 x 1/2 Phil. Truss Hd.....	2
40	00-976711-004CD	Plate - Control Mount (VHG50) (C/D-Control).....	1
41	00-976716-004CD	Plate - Control Mount (VHG75) (C/D-Control).....	1
42	00-976705-00005	Kit - D-Control (W/ Filtration) (Incls. Controller & Overlay).....	1
43	00-976705-00006	Kit - D-Control (W/O Filtration) (Incls. Controller & Overlay).....	1
44	00-976705-00001	Overlay (W/ Filtration) (D Control).....	1
45	00-976705-00002	Overlay (W/O Filtration) (D Control).....	1
46	00-976706-00009	Kit - C-Control (W/ Filtration) (1-18) (Incls. Controller & Overlay).....	1
47	00-976706-00010	Kit - C-Control (W/O Filtration) (1-18) (Incls. Controller & Overlay).....	1
48	00-976706-00011	Kit - C-Control (W/ Filtration) (1-9) (Incls. Controller & Overlay).....	1
49	00-976706-00012	Kit - C-Control (W/O Filtration) (1-9) (Incls. Controller & Overlay).....	1
50	00-976706-00013	Kit - C-Control (W/ Filtration) (1-6) (Incls. Controller & Overlay).....	1
51	00-976706-00014	Kit - C-Control (W/O Filtration) (1-6) (Incls. Controller & Overlay).....	1
52	00-976706-00001	Overlay (W/ Filtration) (1-18) (C Control).....	1
53	00-976706-00002	Overlay (W/O Filtration) (1-18) (C Control).....	1
54	00-976706-00003	Overlay (W/ Filtration) (1-9) (C Control).....	1
55	00-976706-00004	Overlay (W/O Filtration) (1-9) (C Control).....	1
56	00-976706-00005	Overlay (W/ Filtration) (1-6) (C Control).....	1
57	00-976706-00006	Overlay (W/O Filtration) (1-6) (C Control).....	1
58	00-730534	Nut 10-24 Hex KEPS.....	4
59	00-428906-00004	Overlay (USB Port).....	1
60	00-959000-000G1	Cable Assy. (USB) (1 Ft.).....	1



**POWER BOX**

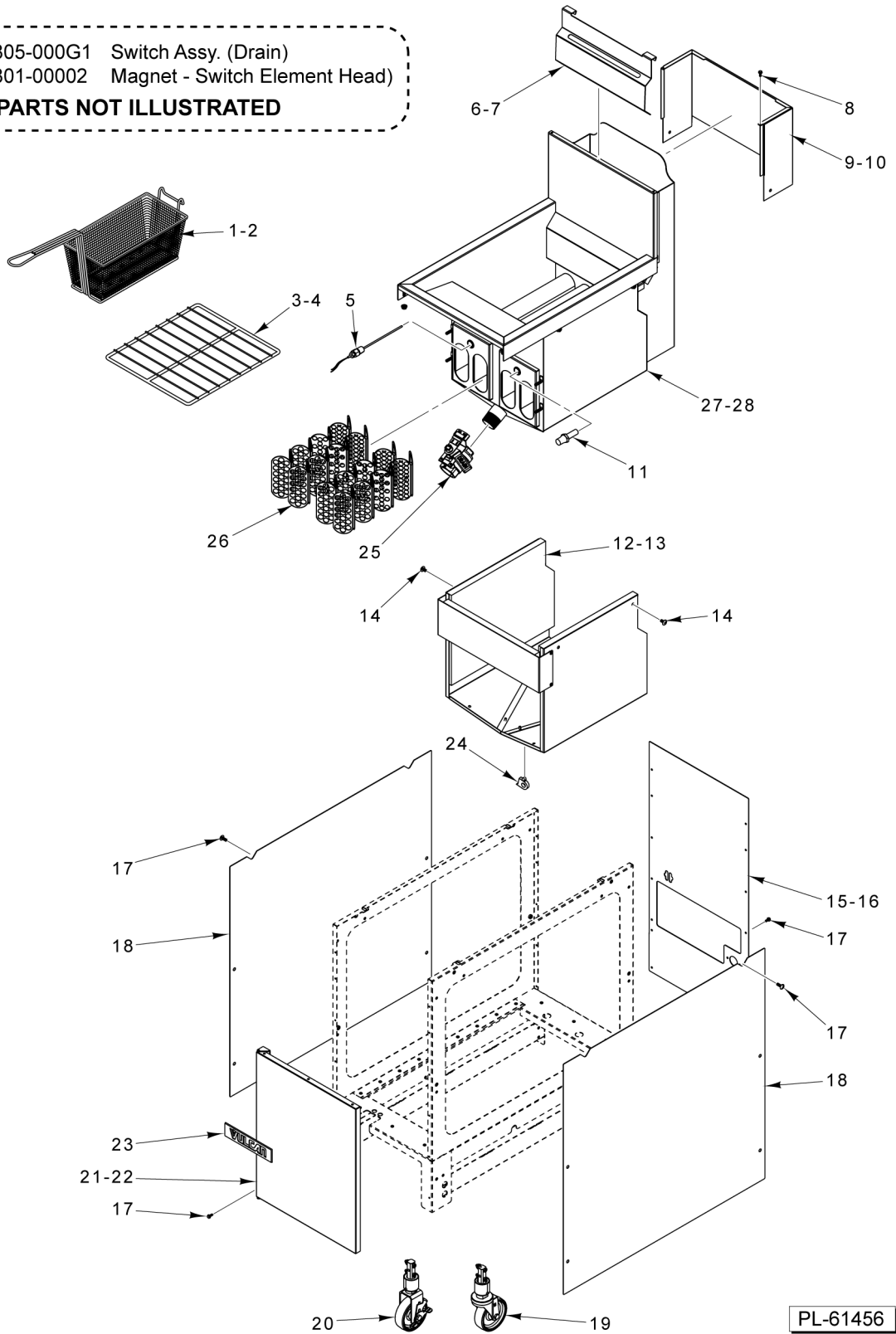


**POWER BOX**

ILLUS.	PART NO.	NAME OF PART	AMT.
PL-61455			
1	FE-024-24	Bushing - Electrical Snap.....	1
2	00-90675A-00005	Nut.....	2
3	00-90675A-00007	Nut.....	1
4	00-428683-00006	Box - Power Supply.....	1
5	00-419971	Receptacle - Power (Male).....	1
6	SD-036-80	Self-Tapping Screw 8-32 x 3/8 Hex Washer Hd., Type TT.....	4
7	00-419317	Terminal - Stationary.....	1
8	00-90272A-00105	Screw.....	2
9	00-428864-00001	Relay - Pump.....	1
10	00-90087A-00144	Screw.....	6
11	00-411500-00012	Transformer (120 VAC, 24 V., 40 VA) (W/ Plug Assy.).....	1
12	00-857207-00004	Module - Ignitor.....	1
13	00-428684-00003	Lid - Power Supply.....	1
14	00-90087A-00148	Screw.....	4
15	00-497125-00001	Relay - Fill Valve (SPDT, 24 VAC).....	1
16	00-428688-00002	Bracket - Power Supply.....	1
17	00-419970	Receptacle - Power (Female).....	1
18	00-976743-00001	Cable - Ignitor.....	1
19	00-976743-00002	Wire - Flame Sense.....	1
20	00-428685-00010	Power Box Assy. (W/ Filtration) (Incls. Items 1 thru 17).....	1
21	00-428685-00011	Power Box Assy. (W/O Filtration) (Incls. Items 1 thru 8, 10 thru 14, 16, & 17).....	1
22	00-419967-00005	Cord - Power Supply (84 In.).....	1
23	00-419967-00003	Jumper - Extension (24-1/2 In.).....	1

- 29 00-426805-000G1 Switch Assy. (Drain)
- 30 00-426801-00002 Magnet - Switch Element Head

**PARTS NOT ILLUSTRATED**

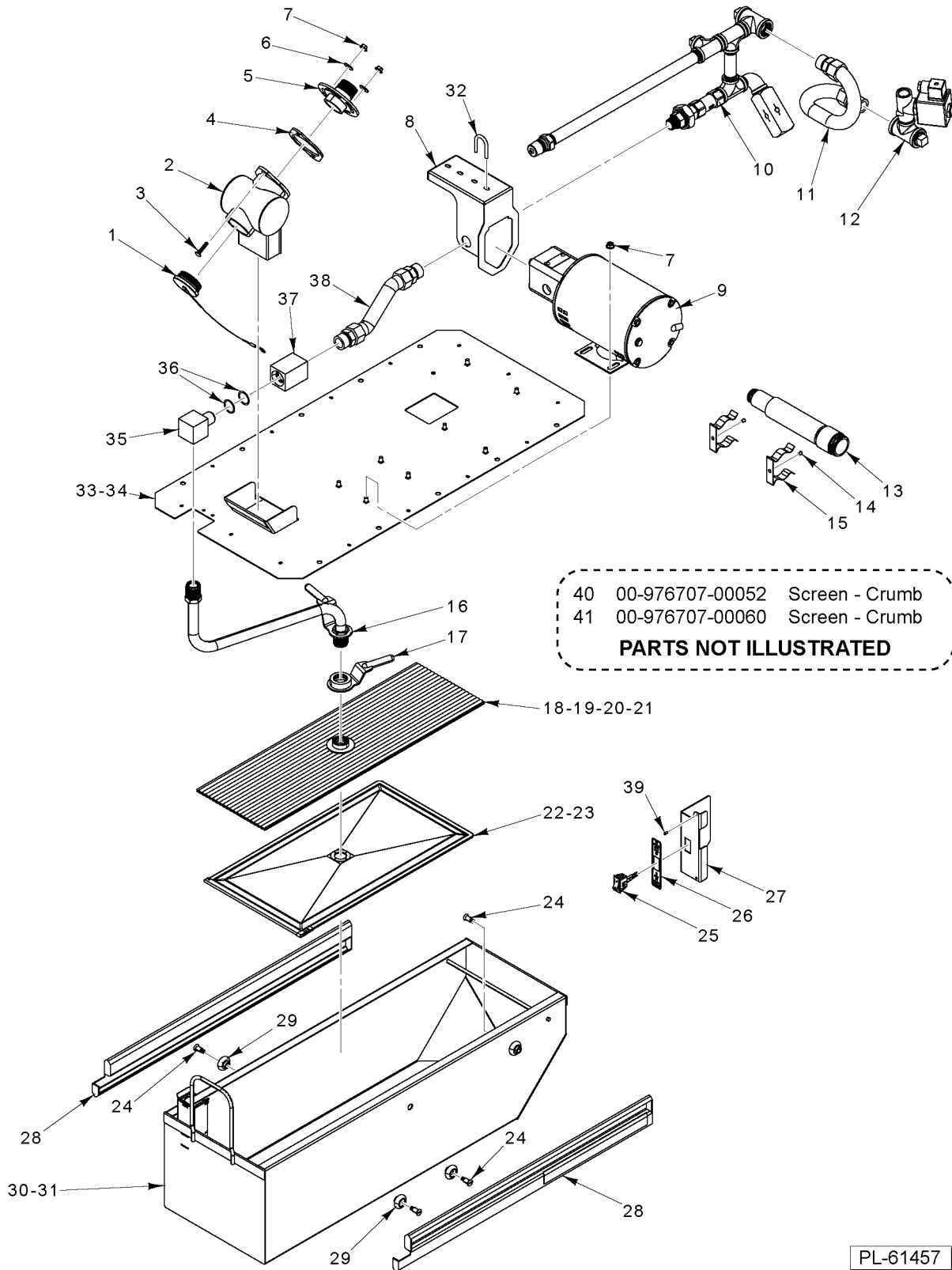


PL-61456

**PANELS**

## PANELS

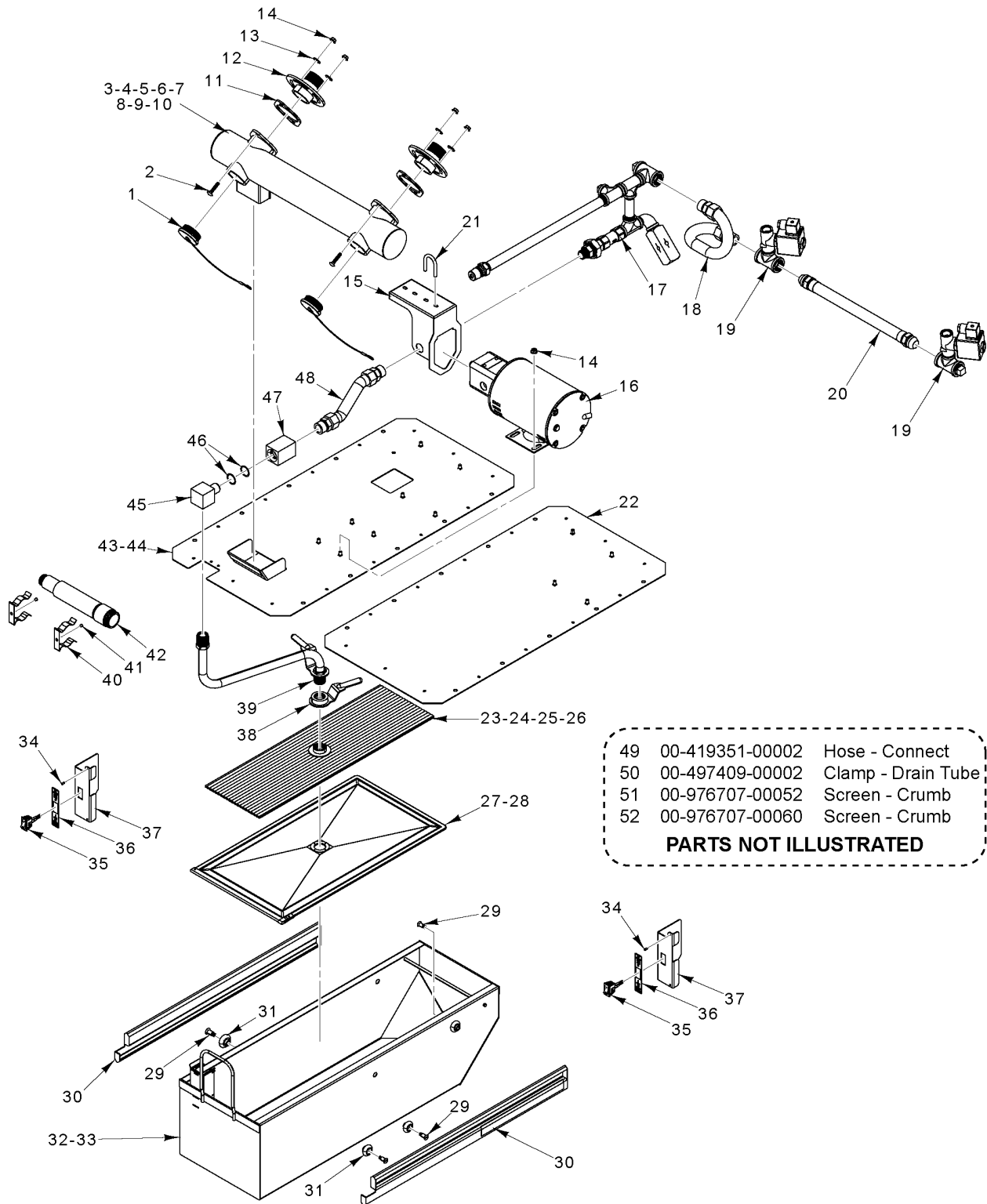
ILLUS.	PART NO.	NAME OF PART	AMT.
PL-61456			
1	00-499223-00001	Basket - Twin (VHG50).....	2
2	00-499223-00002	Basket - Twin (VHG75).....	2
3	00-976731-00050	Rack - Basket (VHG50).....	1
4	00-976731-00075	Rack - Basket (VHG75).....	1
5	00-976730-00001	Probe - Temp.....	1
6	00-417056-00002	Hanger - Basket (VHG50).....	1
7	00-418321-00002	Hanger - Basket (VHG75).....	1
8	SD-036-80	Self-Tapping Screw 8-32 x 3/8 Hex Washer Hd., Type TT.....	2
9	00-976709-00018	Panel - Back (VHG50).....	1
10	00-976713-00018	Panel - Back (VHG75).....	1
11	00-976588	Control - High Limit.....	1
12	00-976709-19KIT	Kit - Insulation, Tank (Incls. Insulation & Retainer) (VHG50).....	1
13	00-976713-19KIT	Kit - Insulation, Tank (Incls. Insulation & Retainer) (VHG75).....	1
14	00-723369	Mach. Screw 1/4-20 x 1/2 Phil. Truss Hd.....	4
15	00-976709-00016	Panel - Back (VHG50).....	1
16	00-976713-00016	Panel - Back (VHG75).....	1
17	SD-032-07	Self-Tapping Screw 10-24 x 1/2 Hex. Hex Washer Hd., Type TT.....	AR
18	00-976700-00002	Panel - Side.....	2
19	00-976714-00002	Caster (Swivel).....	2
20	00-976714-00001	Caster (Fixed).....	2
21	00-976717-00050	Door (VHG50).....	1
22	00-976717-00075	Door (VHG75).....	1
23	00-957916-00005	Nameplate - Vulcan.....	1
24	00-976721-00009	Clip - Wire Harness.....	4
25	00-976656-00002	Valve - Drain Assy. (Incls. Items 29 & 30).....	1
26	00-976712-00075	Baffle.....	AR
27	00-976709-0000A	Tank Assy. (VHG50) (Incls. Item 26).....	AR
28	00-976713-0000A	Tank Assy. (VHG75) (Incls. Item 26).....	AR
29	00-426805-000G1	Switch Assy. (Drain).....	1
30	00-426801-00002	Magnet - Switch Element Head.....	1



**FILTRATION (SINGLE)**

**FILTRATION (SINGLE)**

ILLUS.	PART NO.	NAME OF PART	AMT.
PL-61457			
1	00-497571-000G2	Plug - Drain.....	1
2	00-976518-00023	Pipe - Drain.....	1
3	SC-132-93	Carriage Bolt 1/4-20 x 1-1/4 In.....	2
4	00-420553-00003	Gasket - Silicone.....	1
5	00-976693-00001	Drain Flange.....	1
6	WS-031-25	Washer.....	3
7	NS-038-08	Lock Nut 1/4-20 Flange.....	AR
8	00-976707-00042	Mount - Piping.....	1
9	00-417792-00008	Pump Motor Assy. (115/230 V., 60 Hz.) (8 G.P.M.).....	1
10	00-976707-00046	Filtration Piping.....	1
11	00-426602-00005	Tube - Flex 23 In.....	1
12	00-976707-00049	Valve Assy.....	1
13	00-497572-000G3	Pipe - Boil Out Bypass.....	1
14	RS-033-04	Rivet - Pop.....	2
15	00-417039-00002	Clip - Drain Pipe.....	2
16	00-956901-00001	Tube - Suction.....	1
17	00-976707-00041	Nut - Handle.....	1
18	00-499085-00009	Insert - Screen (SST) (VHG50).....	1
19	00-499085-00008	Insert - Envelope (Fabric) (VHG50).....	1
20	00-499085-00010	Insert - Screen (SST) (VHG75).....	1
21	00-499085-00011	Insert - Envelope (Fabric) (VHG75).....	1
22	00-499087-00008	Filter - Screen (SST) (VHG50).....	1
23	00-499087-00009	Filter - Screen (SST) (VHG75).....	1
24	00-976708-00003	Stud.....	8
25	00-427755-000G1	Rocker Switch Assy.....	1
26	00-428906-00003	Overlay (Rinse/Fill/Discharge).....	1
27	00-976707-00051	Mount - Switch.....	1
28	00-976708-00001	Slide (Set of 2).....	1
29	00-976708-00002	Bearing.....	8
30	00-976707-00001	Pan - Filter (VHG50).....	1
31	00-976707-00009	Pan - Filter (VHG75).....	1
32	00-521820	U-Bolt.....	1
33	00-976715-0000A	Mount - Filtration (VHG50).....	1
34	00-976720-0000A	Mount - Filtration (VHG75).....	1
35	00-426567-00007	Block - Suction , Male.....	1
36	00-426567-00008	O-Ring.....	2
37	00-426567-00006	Block - Suction.....	1
38	00-426602-00007	Tube - Flex 8 In.....	1
39	00-719874	Rivet - Pop.....	AR
40	00-976707-00052	Screen - Crumb (VHG50).....	1
41	00-976707-00060	Screen - Crumb (VHG75).....	1

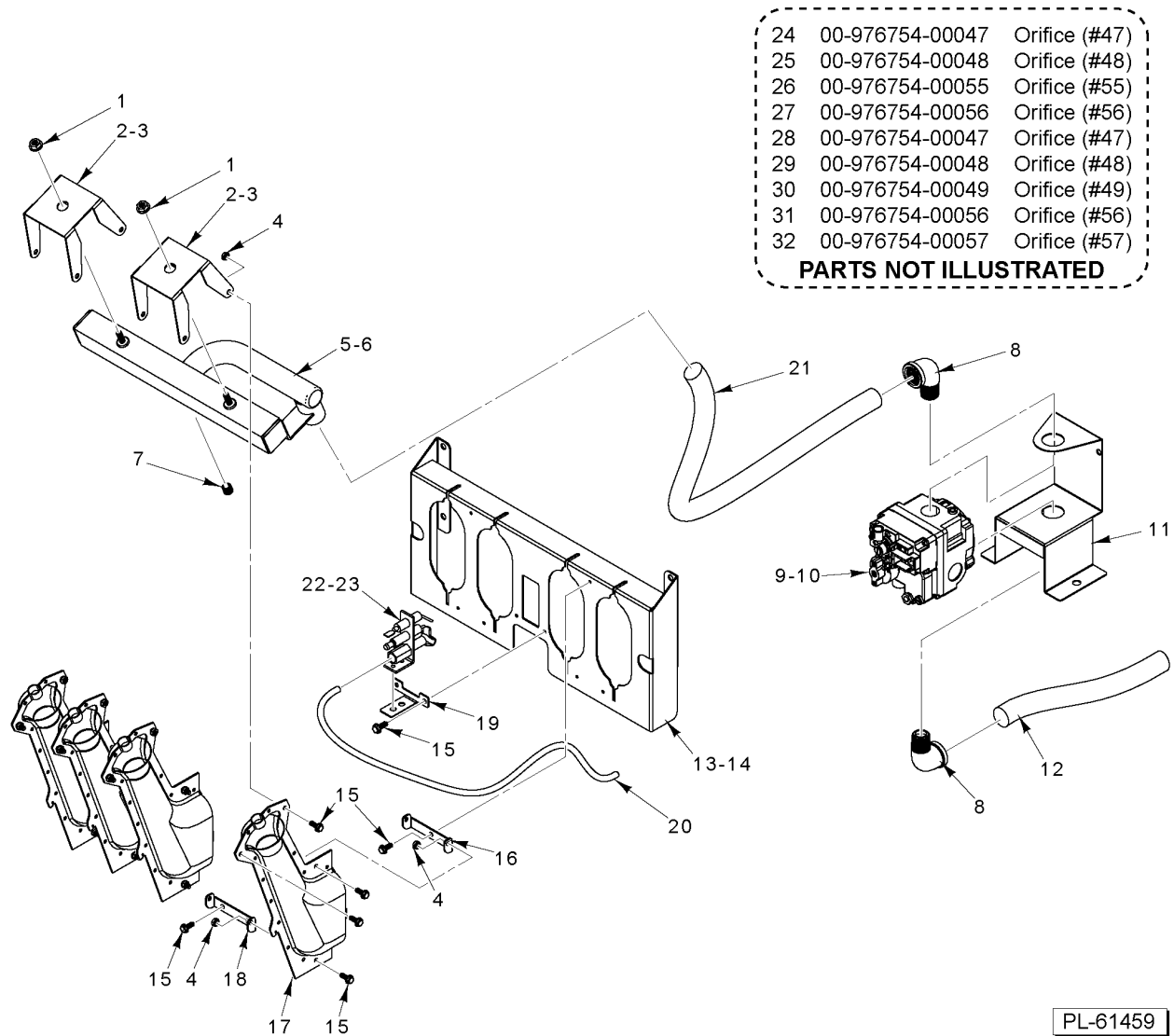


**FILTRATION (MULTIPLE)**

PL-61458

**FILTRATION (MULTIPLE)**

ILLUS.	PART NO.	NAME OF PART	AMT.
PL-61458			
1	00-497571-000G2	Plug - Drain.....	1
2	SC-132-93	Carriage Bolt 1/4-20 x 1-1/4 In.....	4
3	00-976518-00A5V	Pipe - Drain (2 Batteries) (VHG50).....	1
4	00-976719-00A5V	Pipe - Drain (2 Batteries) (VHG75).....	1
5	00-976518-00015	Pipe - Drain (3 Batteries) (Center) (VHG50).....	1
6	00-976518-00013	Pipe - Drain (3 Batteries) (End) (VHG50).....	1
7	00-976719-00015	Pipe - Drain (3 Batteries) (Center) (VHG75).....	1
8	00-976719-00013	Pipe - Drain (3 Batteries) (End) (VHG75).....	1
9	00-976518-00014	Pipe - Drain (4 Batteries) (Center) (VHG50).....	1
10	00-976719-00014	Pipe - Drain (4 Batteries) (Center) (VHG75).....	1
11	00-420553-00003	Gasket - Silicone.....	2
12	00-976693-00001	Drain Flange.....	2
13	WS-031-25	Washer.....	4
14	NS-038-08	Lock Nut 1/4-20 Flange.....	AR
15	00-976707-00042	Mount - Piping.....	1
16	00-417792-00008	Pump Motor Assy. (115/230 V., 60 Hz.) (8 G.P.M.).....	1
17	00-976707-00046	Filtration Piping.....	1
18	00-426602-00005	Tube - Flex 23 In.....	1
19	00-976707-00049	Valve Assy.....	2
20	00-426602-00006	Tube - Flex 18 In.....	1
21	00-521820	U-Bolt.....	1
22	00-976732-0000A	Floor Pan.....	1
23	00-499085-00009	Insert - Screen (SST) (VHG50).....	1
24	00-499085-00008	Insert - Envelope (Fabric) (VHG50).....	1
25	00-499085-00010	Insert - Screen (SST) (VHG75).....	1
26	00-499085-00011	Insert - Envelope (Fabric) (VHG75).....	1
27	00-499087-00008	Filter - Screen (SST) (VHG50).....	1
28	00-499087-00009	Filter - Screen (SST) (VHG75).....	1
29	00-976708-00003	Stud.....	8
30	00-976708-00001	Slide (Set of 2).....	1
31	00-976708-00002	Bearing.....	8
32	00-976707-00001	Pan - Filter (VHG50).....	1
33	00-976707-00009	Pan - Filter (VHG75).....	1
34	00-719874	Rivet - Pop.....	4
35	00-427755-000G1	Rocker Switch Assy.....	2
36	00-428906-00003	Overlay (Rinse/Fill/Discharge).....	2
37	00-976707-00051	Mount - Switch.....	2
38	00-976707-00041	Nut - Handle.....	1
39	00-956901-00001	Tube - Suction.....	1
40	00-417039-00002	Clip - Drain Pipe.....	2
41	RS-033-04	Rivet - Pop.....	2
42	00-497572-000G3	Pipe - Boil Out Bypass.....	1
43	00-976715-0000A	Mount - Filtration (VHG50).....	1
44	00-976720-0000A	Mount - Filtration (VHG75).....	1
45	00-426567-00007	Block - Suction , Male.....	1
46	00-426567-00008	O-Ring.....	2
47	00-426567-00006	Block - Suction.....	1
48	00-426602-00007	Tube - Flex 8 In.....	1
49	00-419351-00002	Hose - Connect.....	AR
50	00-497409-00002	Clamp - Drain Tube (3 In.).....	AR
51	00-976707-00052	Screen - Crumb (VHG50).....	AR
52	00-976707-00060	Screen - Crumb (VHG75).....	AR



**COMBUSTION**



## COMBUSTION

ILLUS. PL-61459	PART NO.	NAME OF PART	AMT.
1	NS-038-08	Lock Nut 1/4-20 Flange.....	6
2	00-976729-00001	Bracket - Burner Manifold (VHG50).....	2
3	00-976729-00002	Bracket - Burner Manifold (VHG75).....	2
4	NS-044-07	Nut Assy. 8-32 Hex KEPS.....	AR
5	00-976728-00001	Burner Manifold (VHG50).....	1
6	00-976728-00002	Burner Manifold (VHG75).....	AR
7	00-719363	Plug 1/8 NPT Countersink.....	2
8	FP-013-17	Elbow - Street 1/2 x 90 Deg.....	2
9	00-410841-00028	Valve - Combination (NAT) (Electronic Ignition).....	1
10	00-410841-00029	Valve - Combination (LP) (Electronic Ignition).....	1
11	00-976750-00023	Bracket - Gas Valve.....	1
12	00-427882-000G1	Gas Inlet.....	1
13	00-976750-00012	Bracket - Burner Mount (VHG50).....	1
14	00-976753-00012	Bracket - Burner Mount (VHG75).....	1
15	SD-036-80	Self-Tapping Screw 8-32 x 3/8 Hex Washer Hd., Type TT.....	AR
16	00-976750-00022	Bracket - Burner (1 Hole).....	2
17	00-976723	Burner.....	4
18	00-976750-00016	Bracket - Burner (2 Hole).....	2
19	00-976735-00003	Bracket - Ignitor Mount.....	1
20	00-426505-00023	Tube - Flex 1/4 O.D. x 23 In. Lg.....	1
21	00-427882-000G3	Tube - Flex (Gas Inlet).....	1
22	00-976736	Ignitor - Sense Pilot (NAT).....	1
23	00-976737	Ignitor - Sense Pilot (LP).....	1
24	00-976754-00047	Orifice (NAT) (#47) (2000-4999 Ft.) (VHG50).....	AR
25	00-976754-00048	Orifice (NAT) (#48) (5000-6999 Ft.) (VHG50).....	AR
26	00-976754-00055	Orifice (LP) (#55) (0-4999 Ft.) (VHG50).....	AR
27	00-976754-00056	Orifice (LP) (#56) (5000-9999 Ft.) (VHG50).....	AR
28	00-976754-00047	Orifice (NAT) (#47) (0-1999 Ft.) (VHG75).....	AR
29	00-976754-00048	Orifice (NAT) (#48) (2000-3999 Ft.) (VHG75).....	AR
30	00-976754-00049	Orifice (NAT) (#49) (4000-6999 Ft.) (VHG75).....	AR
31	00-976754-00056	Orifice (LP) (#56) (0-3999 Ft.) (VHG75).....	AR
32	00-976754-00057	Orifice (LP) (#57) (4000-6999 Ft.) (VHG75).....	AR

- |    |                 |                                   |
|----|-----------------|-----------------------------------|
| 1  | 00-976721-00013 | Harness - Basket Lift             |
| 2  | 00-976721-00002 | Harness - Filter Switch           |
| 3  | 00-976721-00006 | Harness - Motor Pump              |
| 4  | 00-976721-00005 | Harness - Gas Valve               |
| 5  | 00-976721-00009 | Harness - Trans (40 VA, 120/24V.) |
| 6  | 00-976721-00001 | Harness - Main                    |
| 7  | 00-427753-00010 | Harness - Interface               |
| 8  | 00-427750-000G1 | Harness - Interface to DVI        |
| 9  | 00-976705-00004 | Harness - D-Control Connector     |
| 10 | 00-976706-00008 | Harness - C-Control Connector     |
| 11 | 00-976721-00016 | Harness - Heat Trace              |

**PARTS NOT ILLUSTRATED**

PL-61512

**WIRE HARNESES**

**WIRE HARNESSSES**

ILLUS.	PART NO.	NAME OF PART	AMT.
PL-61512			
1	00-976721-00013	Harness - Basket Lift.....	AR
2	00-976721-00002	Harness - Filter Switch.....	AR
3	00-976721-00006	Harness - Motor Pump.....	AR
4	00-976721-00005	Harness - Gas Valve.....	AR
5	00-976721-00009	Transformer (120VAC, 24 V, 40 VA) (480V).....	AR
6	00-976721-00001	Harness - Main.....	AR
7	00-427753-00010	Harness - Interface.....	AR
8	00-427750-000G1	Harness (Interface to DVI).....	AR
9	00-976705-00004	Harness - D-Control Connector.....	AR
10	00-976706-00008	Harness - C-Control Connector.....	AR
11	00-976721-00016	Harness - Heat Trace.....	AR

