

VULCAN

CATALOG OF REPLACEMENT PARTS

VHG SERIES FRYERS

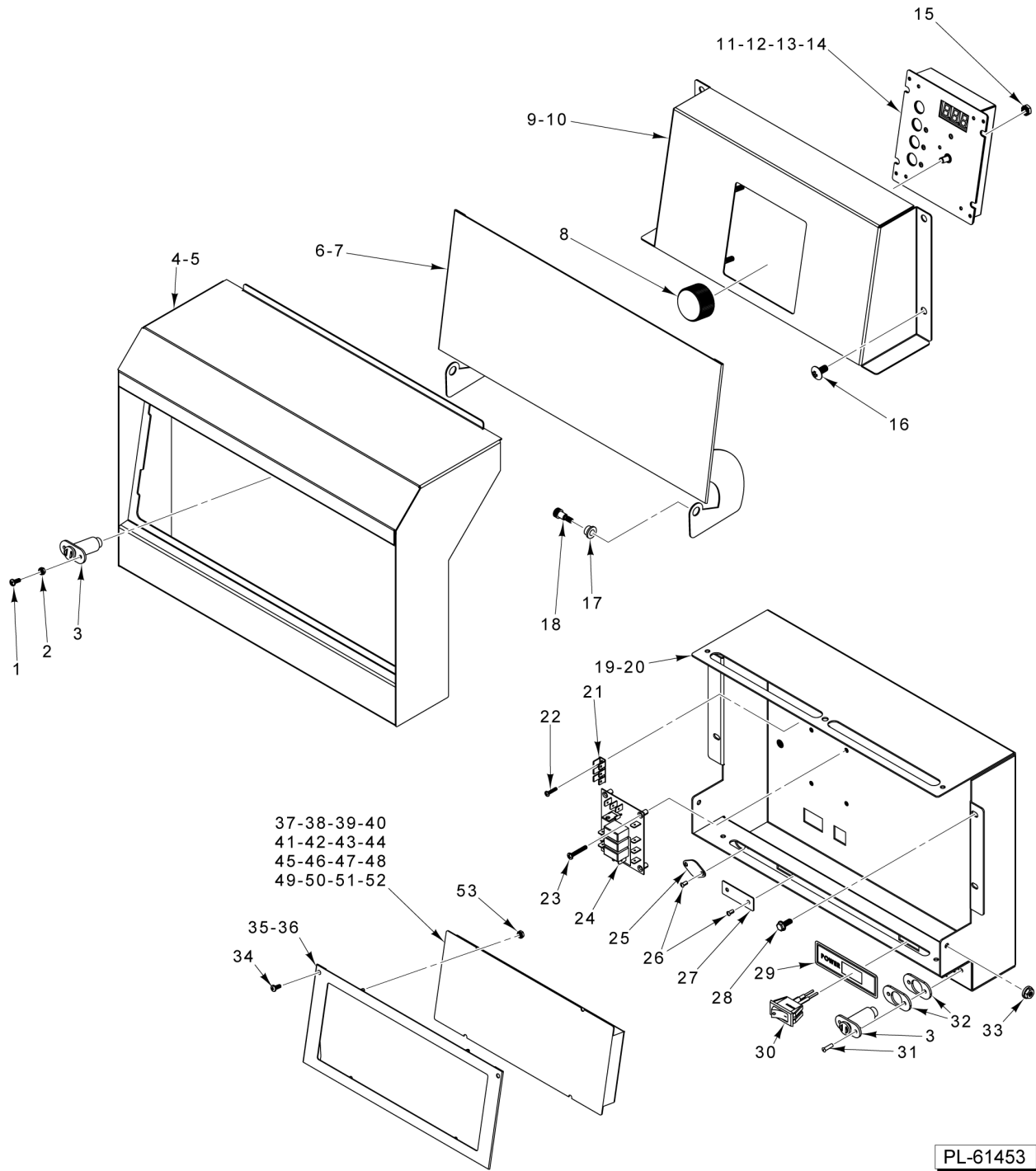
1VHG50A
1VHG75A
2VHG50A
2VHG75A
3VHG50A
3VHG75A
4VHG50A
4VHG75A
1VHG50C
1VHG75C
2VHG50C
2VHG75C
3VHG50C
3VHG75C
4VHG50C
4VHG75C
1VHG50D
1VHG75D
2VHG50D
2VHG75D
3VHG50D
3VHG75D
4VHG50D
4VHG75D



**For additional information on Vulcan or to locate an authorized parts
and service provider in your area, visit our website at www.vulcanequipment.com**

Table of Contents

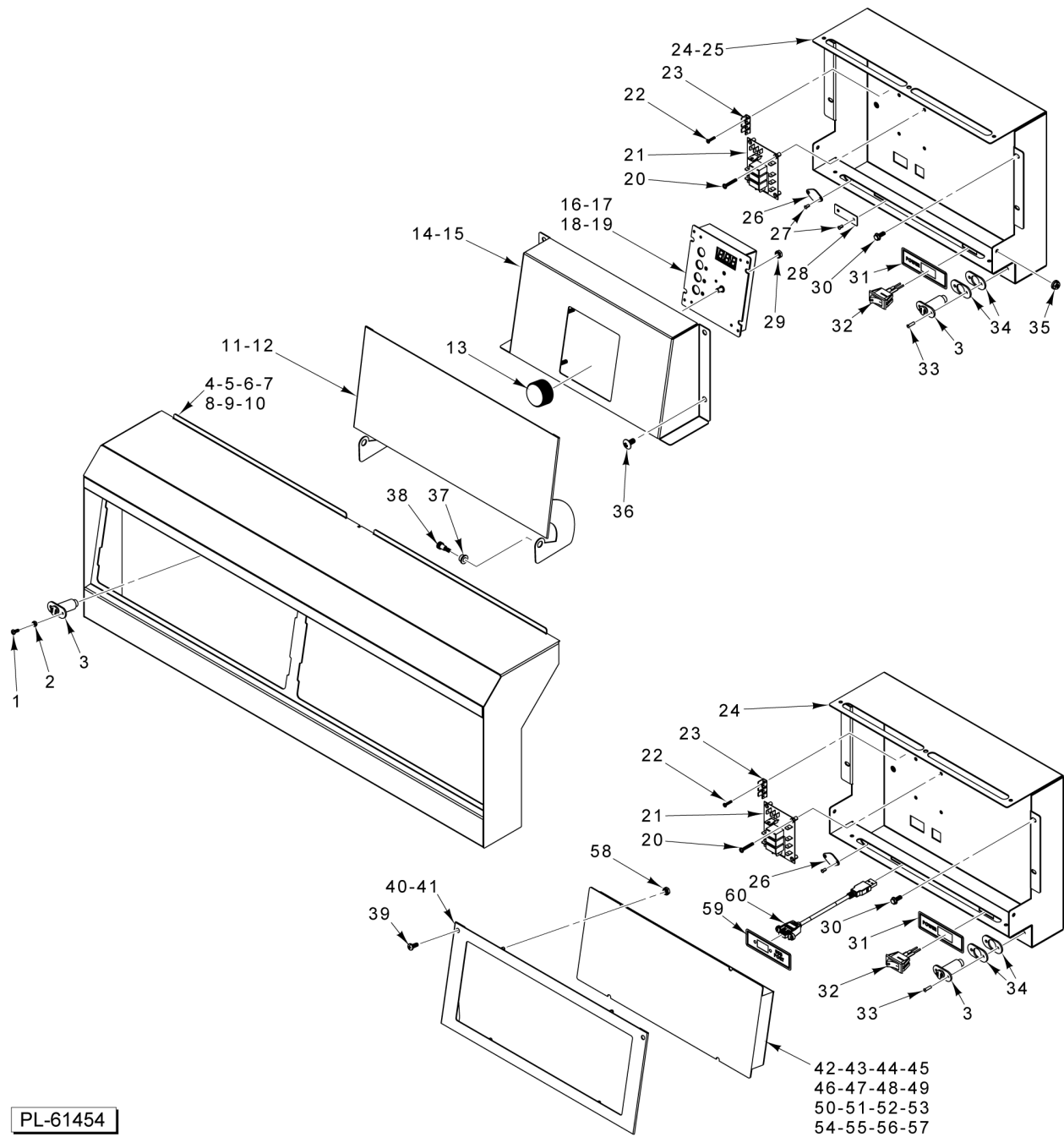
5	CONTROLS (SINGLE)
7	CONTROLS (MULTIPLE)
9	POWER BOX
11	PANELS
13	FILTRATION (SINGLE)
15	FILTRATION (MULTIPLE)
17	COMBUSTION
19	WIRE HARNESSSES



CONTROLS (SINGLE)

CONTROLS (SINGLE)

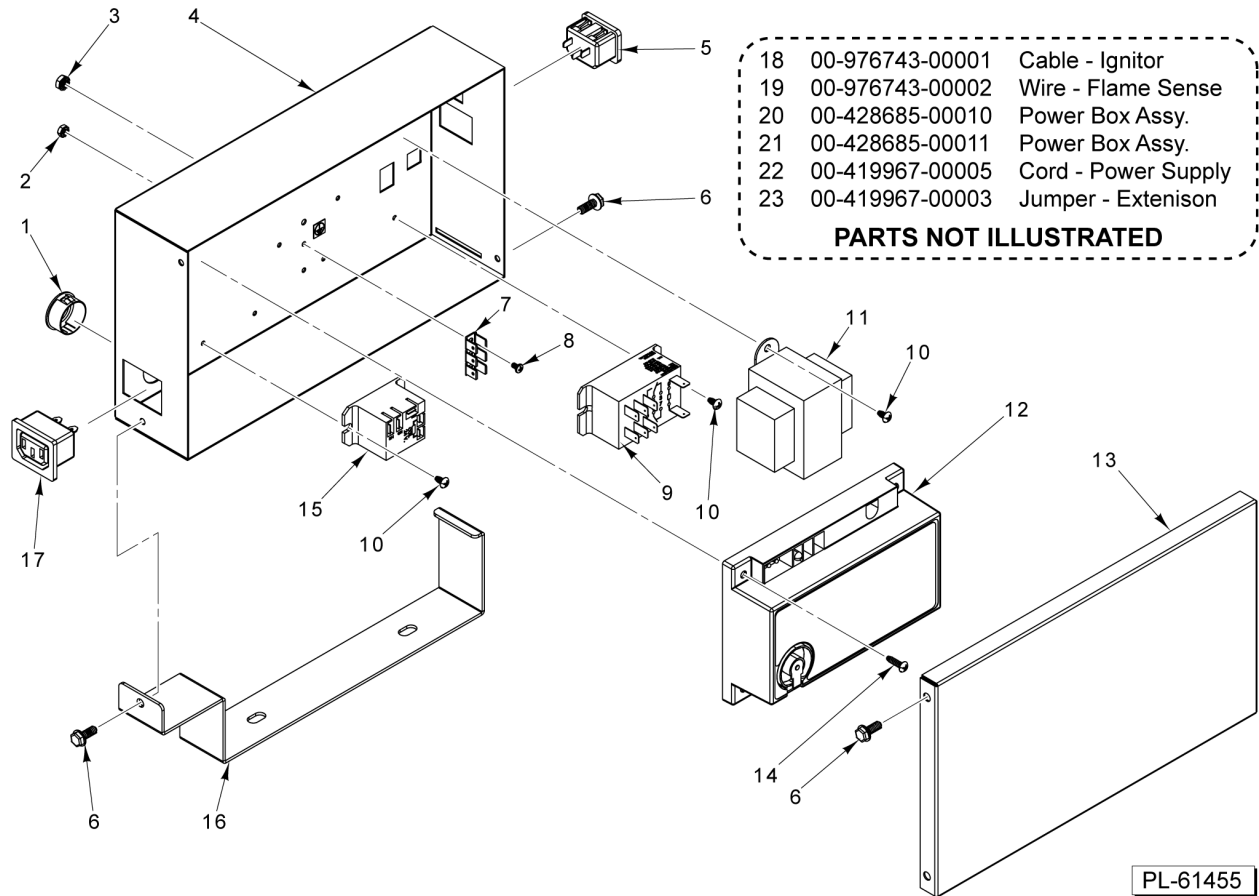
ILLUS. PL-61453	PART NO.	NAME OF PART	AMT.
1	00-730030	Mach. Screw 6-32 x 3/4 In.....	2
2	NS-046-89	Nut Assy. 6-32 Hex KEPS.....	2
3	00-976750-00026	Magnet - Popper.....	2
4	00-976711-0AS45	Bullnose (Single) (VHG50).....	1
5	00-976716-0AS75	Bullnose (Single) (VHG75).....	1
6	00-976711-0004A	Door - Control Panel (VHG50).....	1
7	00-976716-0004A	Door - Control Panel (VHG75).....	1
8	00-976722-00004	Knob - Control.....	1
9	00-976711-0007A	Mount - Control Panel (VHG50) (A-Control).....	1
10	00-976716-0007A	Mount - Control Panel (VHG75) (A-Control).....	1
11	00-976722-00001	Overlay (A-Control) (W/ Filtration).....	1
12	00-976722-00002	Overlay (A-Control) (W/O Filtration).....	1
13	00-976722-00005	Kit - A-Control (W/ Filtration) (Incls. Controller, Overlay, & Knob).....	AR
14	00-976722-00006	Kit - A-Control (W/O Filtration) (Incls. Controller, Overlay, & Knob).....	AR
15	00-730534	Nut 10-24 Hex KEPS.....	4
16	00-723369	Mach. Screw 1/4-20 x 1/2 Phil. Truss Hd.....	4
17	00-976750-00032	Bearing 1/4 In.....	2
18	SC-132-86	Screw 10-24, 1/4 x 5/16.....	2
19	00-976711-00003	Box - Control Panel (VHG50).....	1
20	00-976716-00003	Box - Control Panel (VHG75).....	1
21	00-419317	Terminal - Stationary.....	1
22	SC-018-55	Mach. Screw 4-40 x 1/2 Phil. Pan Hd.....	2
23	00-944267	Screw 6-32 x 13/16 Phil. Pan Hd.....	4
24	00-427759-00003	Board - Interface.....	1
25	00-976750-00028	Magnet.....	1
26	RS-032-77	Rivet.....	2
27	00-959000-00003	Plate - Cover.....	1
28	SD-032-07	Self-Tapping Screw 10-24 x 1/2 Hex. Hex Washer Hd., Type TT.....	4
29	00-428906-00001	Overlay - Power.....	1
30	00-427755-000G1	Rocker Switch Assy.....	1
31		Rivet 1/8.....	2
32	00-976750-00027	Spacer - Magnet.....	2
33	NS-048-07	Lock Nut 10-24 Hex Special.....	2
34	00-730228	Self-Tapping Screw 10-24 x 1/2 Phil. Truss Hd.....	2
35	00-976711-004CD	Plate - Control Mount (VHG50) (C/D-Control).....	1
36	00-976716-004CD	Plate - Control Mount (VHG75) (C/D-Control).....	1
37	00-976705-00005	Kit - D-Control (W/ Filtration) (Incls. Controller & Overlay).....	AR
38	00-976705-00006	Kit - D-Control (W/O Filtration) (Incls. Controller & Overlay).....	AR
39	00-976705-00001	Overlay (W/ Filtration) (D Control).....	1
40	00-976705-00002	Overlay (W/O Filtration) (D Control).....	1
41	00-976706-00009	Kit - C-Control (W/ Filtration) (1-18) (Incls. Controller & Overlay).....	AR
42	00-976706-00010	Kit - C-Control (W/O Filtration) (1-18) (Incls. Controller & Overlay).....	AR
43	00-976706-00011	Kit - C-Control (W/ Filtration) (1-9) (Incls. Controller & Overlay).....	AR
44	00-976706-00012	Kit - C-Control (W/O Filtration) (1-9) (Incls. Controller & Overlay).....	AR
45	00-976706-00013	Kit - C-Control (W/ Filtration) (1-6) (Incls. Controller & Overlay).....	AR
46	00-976706-00014	Kit - C-Control (W/O Filtration) (1-6) (Incls. Controller & Overlay).....	AR
47	00-976706-00001	Overlay (W/ Filtration) (1-18) (C Control).....	1
48	00-976706-00002	Overlay (W/O Filtration) (1-18) (C Control).....	1
49	00-976706-00003	Overlay (W/ Filtration) (1-9) (C Control).....	1
50	00-976706-00004	Overlay (W/O Filtration) (1-9) (C Control).....	1
51	00-976706-00005	Overlay (W/ Filtration) (1-6) (C Control).....	1
52	00-976706-00006	Overlay (W/O Filtration) (1-6) (C Control).....	1
53	00-730534	Nut 10-24 Hex KEPS.....	4



CONTROLS (MULTIPLE)

CONTROLS (MULTIPLE)

ILLUS.	PART NO.	NAME OF PART	AMT.
PL-61454			
1	00-730030	Mach. Screw 6-32 x 3/4 In.....	2
2	NS-046-89	Nut Assy. 6-32 Hex KEPS.....	2
3	00-976750-00026	Magnet - Popper.....	3
4	00-976711-0AD45	Bullnose.....	1
5	00-976711-0AD45	Bullnose (Double) (VHG50).....	1
6	00-976716-0AD75	Bullnose (Double) (VHG75).....	1
7	00-976711-0AT45	Bullnose (Triple) (VHG50).....	1
8	00-976716-0AT75	Bullnose (Triple) (VHG75).....	1
9	00-976711-0AQ45	Bullnose (Quad) (VHG50).....	1
10	00-976716-0AQ75	Bullnose (Quad) (VHG75).....	1
11	00-976711-0004A	Door - Control Panel (VHG50).....	1
12	00-976716-0004A	Door - Control Panel (VHG75).....	1
13	00-976722-00004	Knob - Control.....	1
14	00-976711-0007A	Mount - Control Panel (VHG50) (A-Control).....	1
15	00-976716-0007A	Mount - Control Panel (VHG75) (A-Control).....	1
16	00-976722-00005	Kit - A-Control (W/ Filtration) (Incls. Controller, Overlay, & Knob).....	1
17	00-976722-00006	Kit - A-Control (W/O Filtration) (Incls. Controller, Overlay, & Knob).....	1
18	00-976722-00001	Overlay (A-Control) (W/ Filtration).....	1
19	00-976722-00002	Overlay (A-Control) (W/O Filtration).....	1
20	00-944267	Screw 6-32 x 13/16 Phil. Pan Hd.....	8
21	00-427759-00003	Board - Interface.....	2
22	SC-018-55	Mach. Screw 4-40 x 1/2 Phil. Pan Hd.....	4
23	00-419317	Terminal - Stationary.....	2
24	00-976711-00003	Box - Control Panel (VHG50).....	2
25	00-976716-00003	Box - Control Panel (VHG75).....	1
26	00-976750-00028	Magnet.....	2
27	RS-032-77	Rivet.....	6
28	00-959000-00003	Plate - Cover.....	1
29	00-730534	Nut 10-24 Hex KEPS.....	4
30	SD-032-07	Self-Tapping Screw 10-24 x 1/2 Hex. Hex Washer Hd., Type TT.....	8
31	00-428906-00001	Overlay - Power.....	2
32	00-427755-000G1	Rocker Switch Assy.....	2
33		Rivet 1/8.....	4
34	00-976750-00027	Spacer - Magnet.....	4
35	NS-048-07	Lock Nut 10-24 Hex Special.....	2
36	00-723369	Mach. Screw 1/4-20 x 1/2 Phil. Truss Hd.....	4
37	00-976750-00032	Bearing 1/4 In.....	2
38	SC-132-86	Screw 10-24, 1/4 x 5/16.....	2
39	00-730228	Self-Tapping Screw 10-24 x 1/2 Phil. Truss Hd.....	2
40	00-976711-004CD	Plate - Control Mount (VHG50) (C/D-Control).....	1
41	00-976716-004CD	Plate - Control Mount (VHG75) (C/D-Control).....	1
42	00-976705-00005	Kit - D-Control (W/ Filtration) (Incls. Controller & Overlay).....	1
43	00-976705-00006	Kit - D-Control (W/O Filtration) (Incls. Controller & Overlay).....	1
44	00-976705-00001	Overlay (W/ Filtration) (D Control).....	1
45	00-976705-00002	Overlay (W/O Filtration) (D Control).....	1
46	00-976706-00009	Kit - C-Control (W/ Filtration) (1-18) (Incls. Controller & Overlay).....	1
47	00-976706-00010	Kit - C-Control (W/O Filtration) (1-18) (Incls. Controller & Overlay).....	1
48	00-976706-00011	Kit - C-Control (W/ Filtration) (1-9) (Incls. Controller & Overlay).....	1
49	00-976706-00012	Kit - C-Control (W/O Filtration) (1-9) (Incls. Controller & Overlay).....	1
50	00-976706-00013	Kit - C-Control (W/ Filtration) (1-6) (Incls. Controller & Overlay).....	1
51	00-976706-00014	Kit - C-Control (W/O Filtration) (1-6) (Incls. Controller & Overlay).....	1
52	00-976706-00001	Overlay (W/ Filtration) (1-18) (C Control).....	1
53	00-976706-00002	Overlay (W/O Filtration) (1-18) (C Control).....	1
54	00-976706-00003	Overlay (W/ Filtration) (1-9) (C Control).....	1
55	00-976706-00004	Overlay (W/O Filtration) (1-9) (C Control).....	1
56	00-976706-00005	Overlay (W/ Filtration) (1-6) (C Control).....	1
57	00-976706-00006	Overlay (W/O Filtration) (1-6) (C Control).....	1
58	00-730534	Nut 10-24 Hex KEPS.....	4
59	00-428906-00004	Overlay (USB Port).....	1
60	00-959000-000G1	Cable Assy. (USB) (1 Ft.).....	1



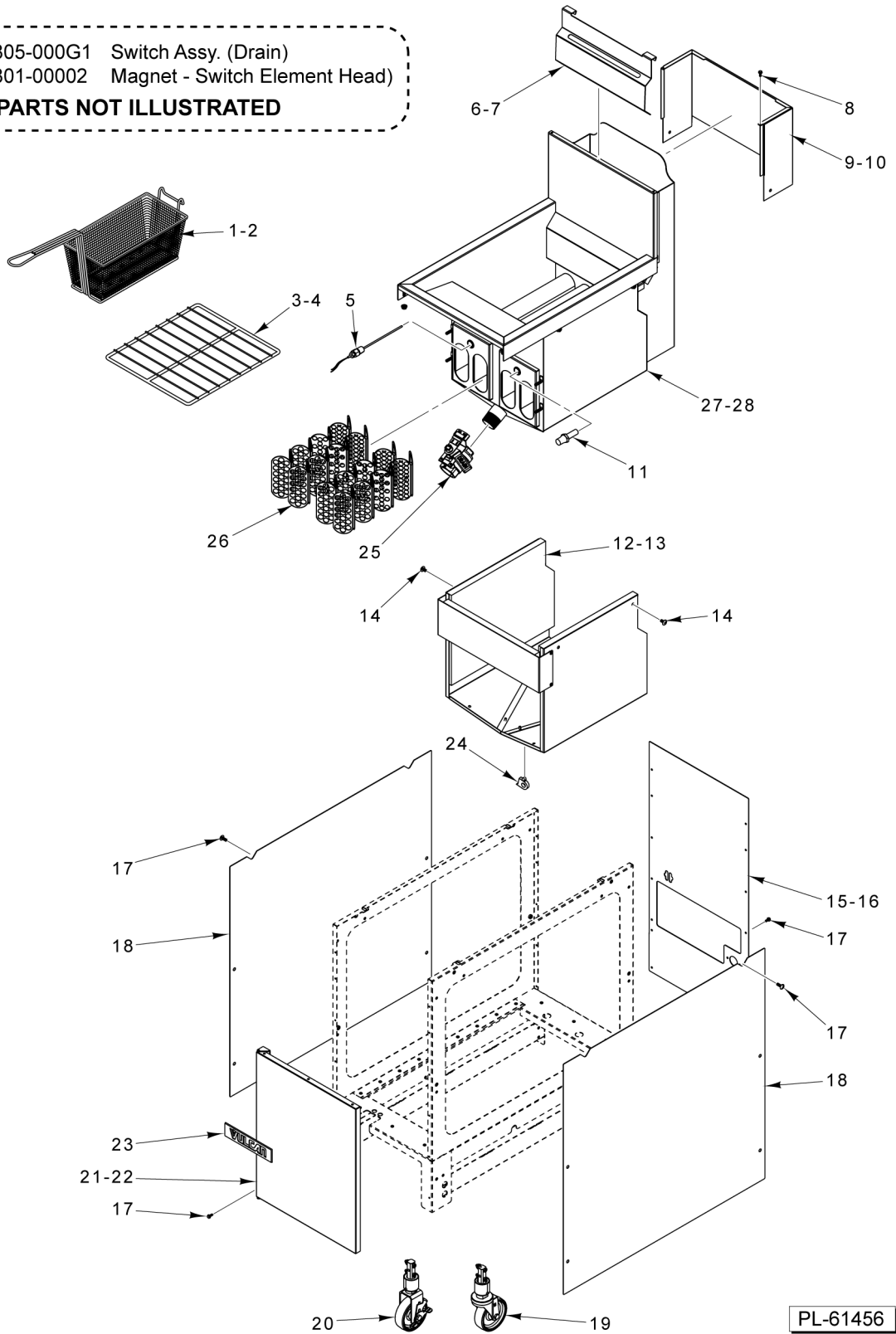
POWER BOX

POWER BOX

ILLUS.	PART NO.	NAME OF PART	AMT.
PL-61455			
1	FE-024-24	Bushing - Electrical Snap.....	1
2	00-90675A-00005	Nut.....	2
3	00-90675A-00007	Nut.....	1
4	00-428683-00006	Box - Power Supply.....	1
5	00-419971	Receptacle - Power (Male).....	1
6	SD-036-80	Self-Tapping Screw 8-32 x 3/8 Hex Washer Hd., Type TT.....	4
7	00-419317	Terminal - Stationary.....	1
8	00-90272A-00105	Screw.....	2
9	00-428864-00001	Relay - Pump.....	1
10	00-90087A-00144	Screw.....	6
11	00-411500-00012	Transformer (120 VAC, 24 V., 40 VA) (W/ Plug Assy.).....	1
12	00-857207-00004	Module - Ignitor.....	1
13	00-428684-00003	Lid - Power Supply.....	1
14	00-90087A-00148	Screw.....	4
15	00-497125-00001	Relay - Fill Valve (SPDT, 24 VAC).....	1
16	00-428688-00002	Bracket - Power Supply.....	1
17	00-419970	Receptacle - Power (Female).....	1
18	00-976743-00001	Cable - Ignitor.....	1
19	00-976743-00002	Wire - Flame Sense.....	1
20	00-428685-00010	Power Box Assy. (W/ Filtration) (Incls. Items 1 thru 17).....	1
21	00-428685-00011	Power Box Assy. (W/O Filtration) (Incls. Items 1 thru 8, 10 thru 14, 16, & 17).....	1
22	00-419967-00005	Cord - Power Supply (84 In.).....	1
23	00-419967-00003	Jumper - Extension (24-1/2 In.).....	1

- 29 00-426805-000G1 Switch Assy. (Drain)
- 30 00-426801-00002 Magnet - Switch Element Head

PARTS NOT ILLUSTRATED

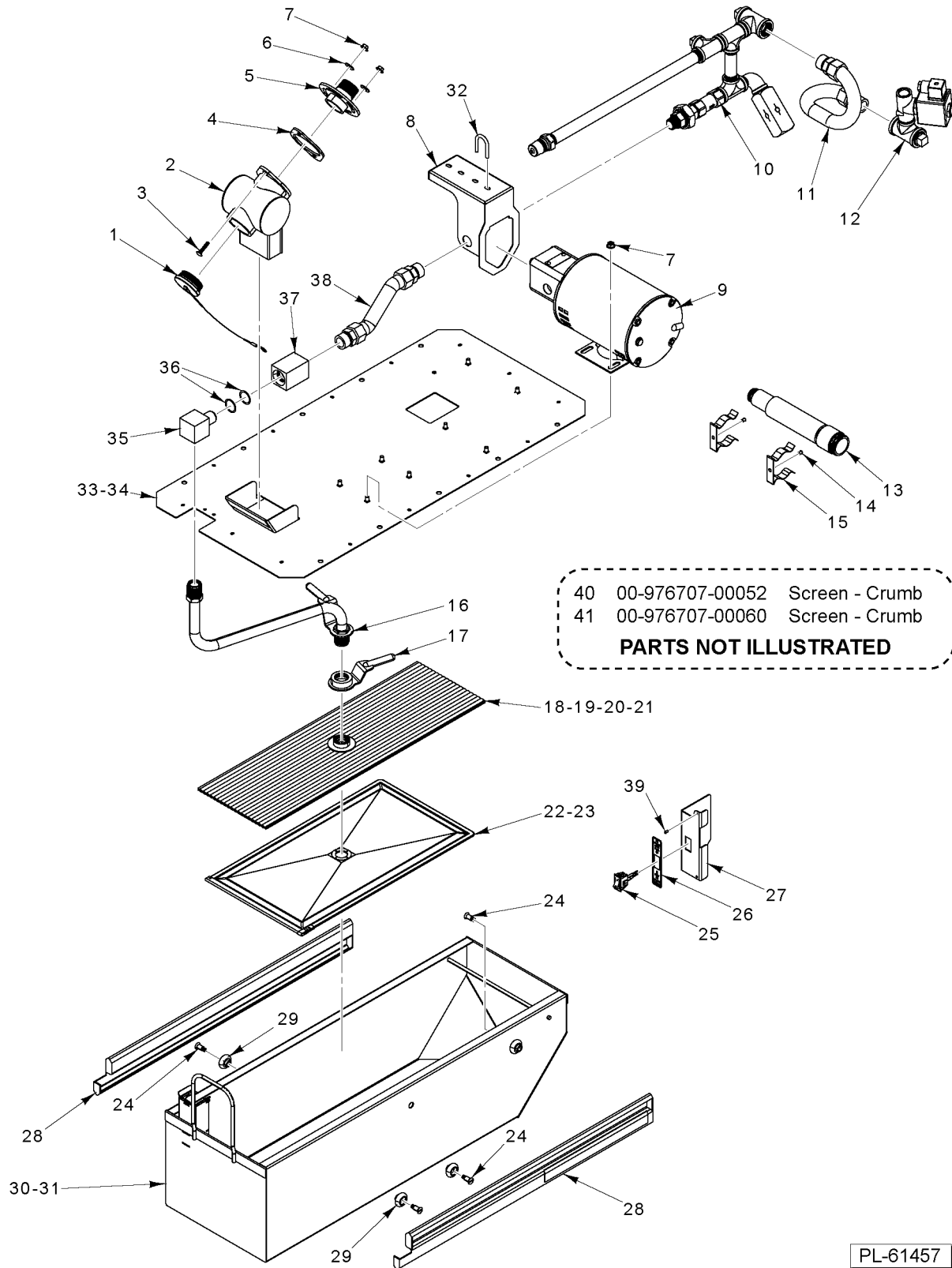


PANELS

PL-61456

PANELS

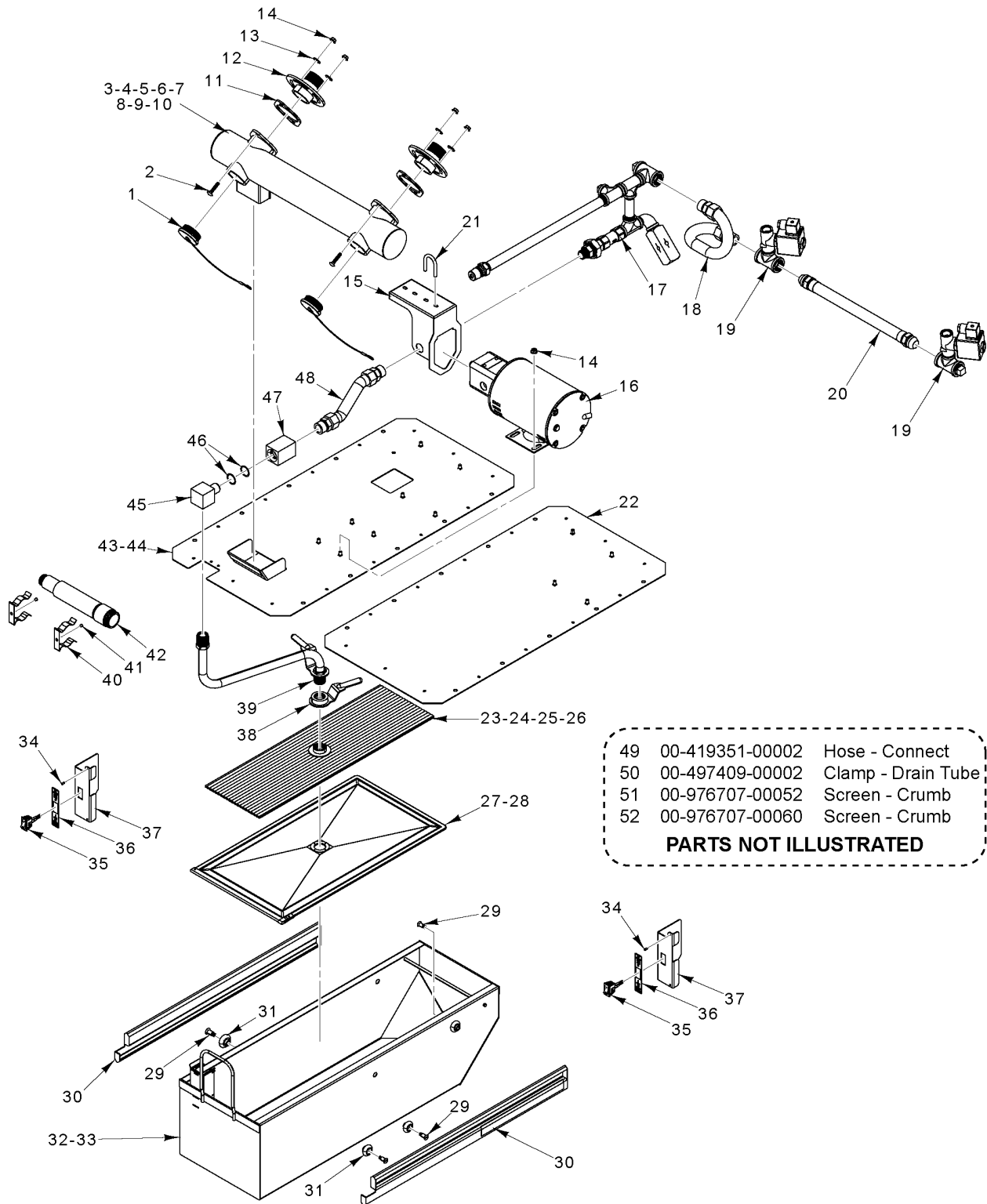
ILLUS.	PART NO.	NAME OF PART	AMT.
PL-61456			
1	00-499223-00001	Basket - Twin (VHG50).....	2
2	00-499223-00002	Basket - Twin (VHG75).....	2
3	00-976731-00050	Rack - Basket (VHG50).....	1
4	00-976731-00075	Rack - Basket (VHG75).....	1
5	00-976730-00001	Probe - Temp.....	1
6	00-417056-00002	Hanger - Basket (VHG50).....	1
7	00-418321-00002	Hanger - Basket (VHG75).....	1
8	SD-036-80	Self-Tapping Screw 8-32 x 3/8 Hex Washer Hd., Type TT.....	2
9	00-976709-00018	Panel - Back (VHG50).....	1
10	00-976713-00018	Panel - Back (VHG75).....	1
11	00-976588	Control - High Limit.....	1
12	00-976709-19KIT	Kit - Insulation, Tank (Incls. Insulation & Retainer) (VHG50).....	1
13	00-976713-19KIT	Kit - Insulation, Tank (Incls. Insulation & Retainer) (VHG75).....	1
14	00-723369	Mach. Screw 1/4-20 x 1/2 Phil. Truss Hd.....	4
15	00-976709-00016	Panel - Back (VHG50).....	1
16	00-976713-00016	Panel - Back (VHG75).....	1
17	SD-032-07	Self-Tapping Screw 10-24 x 1/2 Hex. Hex Washer Hd., Type TT.....	AR
18	00-976700-00002	Panel - Side.....	2
19	00-976714-00002	Caster (Swivel).....	2
20	00-976714-00001	Caster (Fixed).....	2
21	00-976717-00050	Door (VHG50).....	1
22	00-976717-00075	Door (VHG75).....	1
23	00-957916-00005	Nameplate - Vulcan.....	1
24	00-976721-00009	Clip - Wire Harness.....	4
25	00-976656-00002	Valve - Drain Assy. (Incls. Items 29 & 30).....	1
26	00-976712-00075	Baffle.....	AR
27	00-976709-0000A	Tank Assy. (VHG50) (Incls. Item 26).....	AR
28	00-976713-0000A	Tank Assy. (VHG75) (Incls. Item 26).....	AR
29	00-426805-000G1	Switch Assy. (Drain).....	1
30	00-426801-00002	Magnet - Switch Element Head.....	1



FILTRATION (SINGLE)

FILTRATION (SINGLE)

ILLUS.	PART NO.	NAME OF PART	AMT.
PL-61457			
1	00-497571-000G2	Plug - Drain.....	1
2	00-976518-00023	Pipe - Drain.....	1
3	SC-132-93	Carriage Bolt 1/4-20 x 1-1/4 In.....	2
4	00-420553-00003	Gasket - Silicone.....	1
5	00-976693-00001	Drain Flange.....	1
6	WS-031-25	Washer.....	3
7	NS-038-08	Lock Nut 1/4-20 Flange.....	AR
8	00-976707-00042	Mount - Piping.....	1
9	00-417792-00008	Pump Motor Assy. (115/230 V., 60 Hz.) (8 G.P.M.).....	1
10	00-976707-00046	Filtration Piping.....	1
11	00-426602-00005	Tube - Flex 23 In.....	1
12	00-976707-00049	Valve Assy.....	1
13	00-497572-000G3	Pipe - Boil Out Bypass.....	1
14	RS-033-04	Rivet - Pop.....	2
15	00-417039-00002	Clip - Drain Pipe.....	2
16	00-956901-00001	Tube - Suction.....	1
17	00-976707-00041	Nut - Handle.....	1
18	00-499085-00009	Insert - Screen (SST) (VHG50).....	1
19	00-499085-00008	Insert - Envelope (Fabric) (VHG50).....	1
20	00-499085-00010	Insert - Screen (SST) (VHG75).....	1
21	00-499085-00011	Insert - Envelope (Fabric) (VHG75).....	1
22	00-499087-00008	Filter - Screen (SST) (VHG50).....	1
23	00-499087-00009	Filter - Screen (SST) (VHG75).....	1
24	00-976708-00003	Stud.....	8
25	00-427755-000G1	Rocker Switch Assy.....	1
26	00-428906-00003	Overlay (Rinse/Fill/Discharge).....	1
27	00-976707-00051	Mount - Switch.....	1
28	00-976708-00001	Slide (Set of 2).....	1
29	00-976708-00002	Bearing.....	8
30	00-976707-00001	Pan - Filter (VHG50).....	1
31	00-976707-00009	Pan - Filter (VHG75).....	1
32	00-521820	U-Bolt.....	1
33	00-976715-0000A	Mount - Filtration (VHG50).....	1
34	00-976720-0000A	Mount - Filtration (VHG75).....	1
35	00-426567-00007	Block - Suction , Male.....	1
36	00-426567-00008	O-Ring.....	2
37	00-426567-00006	Block - Suction.....	1
38	00-426602-00007	Tube - Flex 8 In.....	1
39	00-719874	Rivet - Pop.....	AR
40	00-976707-00052	Screen - Crumb (VHG50).....	1
41	00-976707-00060	Screen - Crumb (VHG75).....	1

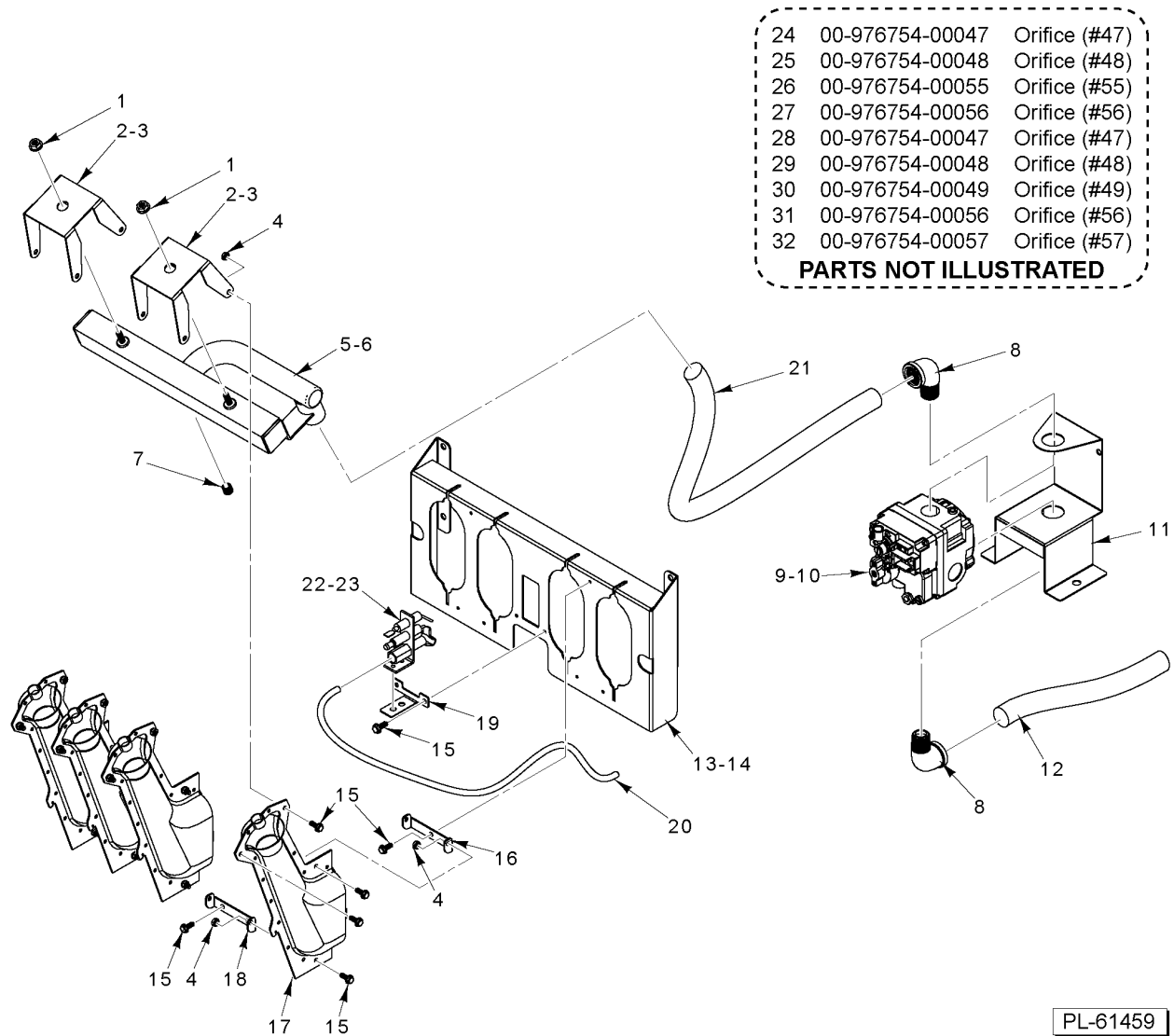


FILTRATION (MULTIPLE)

PL-61458

FILTRATION (MULTIPLE)

ILLUS.	PART NO.	NAME OF PART	AMT.
PL-61458			
1	00-497571-000G2	Plug - Drain.....	1
2	SC-132-93	Carriage Bolt 1/4-20 x 1-1/4 In.....	4
3	00-976518-00A5V	Pipe - Drain (2 Batteries) (VHG50).....	1
4	00-976719-00A5V	Pipe - Drain (2 Batteries) (VHG75).....	1
5	00-976518-00015	Pipe - Drain (3 Batteries) (Center) (VHG50).....	1
6	00-976518-00013	Pipe - Drain (3 Batteries) (End) (VHG50).....	1
7	00-976719-00015	Pipe - Drain (3 Batteries) (Center) (VHG75).....	1
8	00-976719-00013	Pipe - Drain (3 Batteries) (End) (VHG75).....	1
9	00-976518-00014	Pipe - Drain (4 Batteries) (Center) (VHG50).....	1
10	00-976719-00014	Pipe - Drain (4 Batteries) (Center) (VHG75).....	1
11	00-420553-00003	Gasket - Silicone.....	2
12	00-976693-00001	Drain Flange.....	2
13	WS-031-25	Washer.....	4
14	NS-038-08	Lock Nut 1/4-20 Flange.....	AR
15	00-976707-00042	Mount - Piping.....	1
16	00-417792-00008	Pump Motor Assy. (115/230 V., 60 Hz.) (8 G.P.M.).....	1
17	00-976707-00046	Filtration Piping.....	1
18	00-426602-00005	Tube - Flex 23 In.....	1
19	00-976707-00049	Valve Assy.....	2
20	00-426602-00006	Tube - Flex 18 In.....	1
21	00-521820	U-Bolt.....	1
22	00-976732-0000A	Floor Pan.....	1
23	00-499085-00009	Insert - Screen (SST) (VHG50).....	1
24	00-499085-00008	Insert - Envelope (Fabric) (VHG50).....	1
25	00-499085-00010	Insert - Screen (SST) (VHG75).....	1
26	00-499085-00011	Insert - Envelope (Fabric) (VHG75).....	1
27	00-499087-00008	Filter - Screen (SST) (VHG50).....	1
28	00-499087-00009	Filter - Screen (SST) (VHG75).....	1
29	00-976708-00003	Stud.....	8
30	00-976708-00001	Slide (Set of 2).....	1
31	00-976708-00002	Bearing.....	8
32	00-976707-00001	Pan - Filter (VHG50).....	1
33	00-976707-00009	Pan - Filter (VHG75).....	1
34	00-719874	Rivet - Pop.....	4
35	00-427755-000G1	Rocker Switch Assy.....	2
36	00-428906-00003	Overlay (Rinse/Fill/Discharge).....	2
37	00-976707-00051	Mount - Switch.....	2
38	00-976707-00041	Nut - Handle.....	1
39	00-956901-00001	Tube - Suction.....	1
40	00-417039-00002	Clip - Drain Pipe.....	2
41	RS-033-04	Rivet - Pop.....	2
42	00-497572-000G3	Pipe - Boil Out Bypass.....	1
43	00-976715-0000A	Mount - Filtration (VHG50).....	1
44	00-976720-0000A	Mount - Filtration (VHG75).....	1
45	00-426567-00007	Block - Suction , Male.....	1
46	00-426567-00008	O-Ring.....	2
47	00-426567-00006	Block - Suction.....	1
48	00-426602-00007	Tube - Flex 8 In.....	1
49	00-419351-00002	Hose - Connect.....	AR
50	00-497409-00002	Clamp - Drain Tube (3 In.).....	AR
51	00-976707-00052	Screen - Crumb (VHG50).....	AR
52	00-976707-00060	Screen - Crumb (VHG75).....	AR



COMBUSTION

COMBUSTION

ILLUS. PL-61459	PART NO.	NAME OF PART	AMT.
1	NS-038-08	Lock Nut 1/4-20 Flange.....	6
2	00-976729-00001	Bracket - Burner Manifold (VHG50).....	2
3	00-976729-00002	Bracket - Burner Manifold (VHG75).....	2
4	NS-044-07	Nut Assy. 8-32 Hex KEPS.....	AR
5	00-976728-00001	Burner Manifold (VHG50).....	1
6	00-976728-00002	Burner Manifold (VHG75).....	AR
7	00-719363	Plug 1/8 NPT Countersink.....	2
8	FP-013-17	Elbow - Street 1/2 x 90 Deg.....	2
9	00-410841-00028	Valve - Combination (NAT) (Electronic Ignition).....	1
10	00-410841-00029	Valve - Combination (LP) (Electronic Ignition).....	1
11	00-976750-00023	Bracket - Gas Valve.....	1
12	00-427882-000G1	Gas Inlet.....	1
13	00-976750-00012	Bracket - Burner Mount (VHG50).....	1
14	00-976753-00012	Bracket - Burner Mount (VHG75).....	1
15	SD-036-80	Self-Tapping Screw 8-32 x 3/8 Hex Washer Hd., Type TT.....	AR
16	00-976750-00022	Bracket - Burner (1 Hole).....	2
17	00-976723	Burner.....	4
18	00-976750-00016	Bracket - Burner (2 Hole).....	2
19	00-976735-00003	Bracket - Ignitor Mount.....	1
20	00-426505-00023	Tube - Flex 1/4 O.D. x 23 In. Lg.....	1
21	00-427882-000G3	Tube - Flex (Gas Inlet).....	1
22	00-976736	Ignitor - Sense Pilot (NAT).....	1
23	00-976737	Ignitor - Sense Pilot (LP).....	1
24	00-976754-00047	Orifice (NAT) (#47) (2000-4999 Ft.) (VHG50).....	AR
25	00-976754-00048	Orifice (NAT) (#48) (5000-6999 Ft.) (VHG50).....	AR
26	00-976754-00055	Orifice (LP) (#55) (0-4999 Ft.) (VHG50).....	AR
27	00-976754-00056	Orifice (LP) (#56) (5000-9999 Ft.) (VHG50).....	AR
28	00-976754-00047	Orifice (NAT) (#47) (0-1999 Ft.) (VHG75).....	AR
29	00-976754-00048	Orifice (NAT) (#48) (2000-3999 Ft.) (VHG75).....	AR
30	00-976754-00049	Orifice (NAT) (#49) (4000-6999 Ft.) (VHG75).....	AR
31	00-976754-00056	Orifice (LP) (#56) (0-3999 Ft.) (VHG75).....	AR
32	00-976754-00057	Orifice (LP) (#57) (4000-6999 Ft.) (VHG75).....	AR

- | | | |
|----|-----------------|-----------------------------------|
| 1 | 00-976721-00013 | Harness - Basket Lift |
| 2 | 00-976721-00002 | Harness - Filter Switch |
| 3 | 00-976721-00006 | Harness - Motor Pump |
| 4 | 00-976721-00005 | Harness - Gas Valve |
| 5 | 00-976721-00009 | Harness - Trans (40 VA, 120/24V.) |
| 6 | 00-976721-00001 | Harness - Main |
| 7 | 00-427753-00010 | Harness - Interface |
| 8 | 00-427750-000G1 | Harness - Interface to DVI |
| 9 | 00-976705-00004 | Harness - D-Control Connector |
| 10 | 00-976706-00008 | Harness - C-Control Connector |
| 11 | 00-976721-00016 | Harness - Heat Trace |

PARTS NOT ILLUSTRATED

PL-61512

WIRE HARNESES

WIRE HARNESSSES

ILLUS.	PART NO.	NAME OF PART	AMT.
PL-61512			
1	00-976721-00013	Harness - Basket Lift.....	AR
2	00-976721-00002	Harness - Filter Switch.....	AR
3	00-976721-00006	Harness - Motor Pump.....	AR
4	00-976721-00005	Harness - Gas Valve.....	AR
5	00-976721-00009	Transformer (120VAC, 24 V, 40 VA) (480V).....	AR
6	00-976721-00001	Harness - Main.....	AR
7	00-427753-00010	Harness - Interface.....	AR
8	00-427750-000G1	Harness (Interface to DVI).....	AR
9	00-976705-00004	Harness - D-Control Connector.....	AR
10	00-976706-00008	Harness - C-Control Connector.....	AR
11	00-976721-00016	Harness - Heat Trace.....	AR

